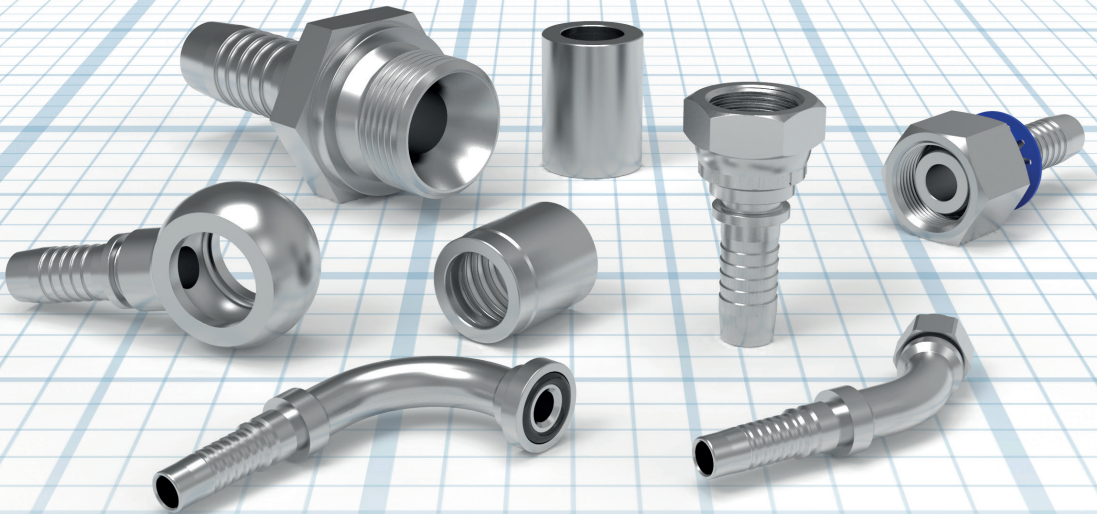


Hose fittings



VOSS Fluid GmbH Sales Organization

Germany

VOSS Fluid GmbH
Post box 15 40
51679 Wipperfürth
Lüdenscheider Straße
52-54
51688 Wipperfürth
Tel. +49 2267 63-0
Fax +49 2267 63-5621
+49 2267 63-5622
+49 2267 63-5623
fluid@voss.net
www.voss-fluid.net

Brazil

VOSS Automotive Ltda.
Av. Alvares Cabral, 1087
CEP 09980-160
Diadema – São Paulo
Tel.: +55 11 40539500
Fax: +55 11 40539524
fluid.br@voss.net

Poland

VOSS Fluid Polska sp. z o.o.
Nowa Wieś Legnicka 105
59-241 Legnickie Pole
Polska
Tel.: +48 76 72 41 222
fluid.pl@voss.net

China

VOSS Fluid China (Wuxi)
Block B, Taishan Road No. 8
214028 Wuxi
China
Tel.: +86 510 6690 2371
Fax: +86 510 66902371
fluidchina@voss.net

Spain

VOSS S.A.
Paseo del Comercio, 90
Apartado Correos, 1014
08203 Sabadell
Tel.: +34 93 7106262
Fax: +34 93 7116357
info@es.voss.net

France

VOSS Fluid Sàrl
57 Route de Crécy
28500 Vernouillet
Tel.: +33 237 380190
Fax: +33 237 468914
info@fr.voss.net

USA

VOSS Automotive, Inc.
4640 Hillegas Road
Fort Wayne, IN 46818
Tel.: +1 260 3732277
Fax: +1 260 3732299
info@us.voss.net

Italy

VOSS Fluid S.r.l.
Via A. Stoppani, 13
23875, Osnago (LC)
Tel.: +39 039 58445
info@it.voss.net

Worldwide dealers

Please request the current list of the dealer directory from our Sales Department in Wipperfürth.

Compliance with the respective operating and assembly instructions as well as the current standards and regulations of general mechanical engineering is a basic requirement for the reliable performance of VOSS products. Please always use the latest version.

Subject to technical modifications; misprints and errors excepted. This catalog edition replaces all previously published technical documents, catalogs, assembly instructions etc.

Consequently, all previous documents lose their validity with immediate effect!

Content

Chapter

General information

1

Overview of hose fittings

2

Hose fittings VOSS NPS3 (standard)

3

Hose fittings VOSS NPS8 (Interlock)

4

Accessories and test equipment

5

Assembly instructions

6

General technical notes

7

Services

8

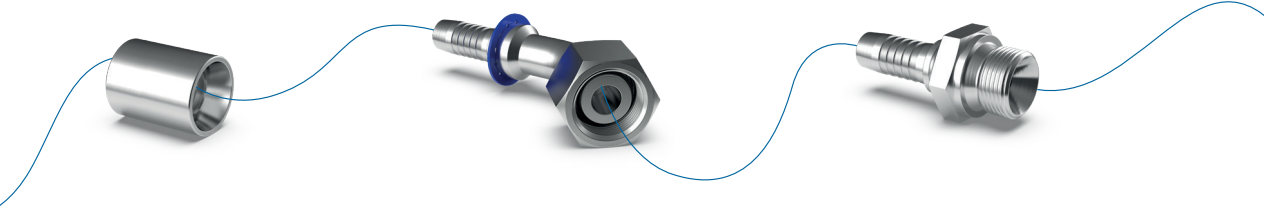
Designation directory

9

Order-No. directory

10





Passionately
Connected

The Company

VOSS is a proven partner in the automotive and mechanical engineering industries for tube and coupling technology in fluid systems.

Since its foundation in 1931, the company has developed into a globally active group of companies driven by customer proximity, innovations and top quality. VOSS Automotive GmbH, VOSS Fluid GmbH and 16 foreign companies are united under the umbrella of VOSS Holding.

With its production facilities in Germany and abroad as well as sales companies in Europe and overseas, VOSS is one of the world's leading suppliers of components for fluid systems: In the area of VOSS Automotive for vehicle construction and in the area of VOSS Fluid for mechanical engineering.

The product range includes coupling elements, ready-to-install lines, valves and other components for pneumatic, hydraulic, fuel and air conditioning systems.

**The headquarter:
Plant and administration Wipperfürth**



With the complete integration of hose fittings, the product portfolio is systematically expanded for a wide range of applications.



As a development partner and system provider with a full range of products, VOSS takes on the responsibility of actively supporting the opinion-forming process in the fluid technology industry in a wide variety of ways.

Machine components for coupling technology

A complete range plus quality: VOSS produces one of the most comprehensive product ranges of tube connection systems and hose fittings on the basis of this principle. The entire product range is available as a catalog program.

The product range includes hose fittings, cutting ring, soft seal and flared couplings, tube forming systems, flange couplings and supplementary accessories. Particular emphasis is placed on the development of customer-specific system solutions. VOSS Fluid handles the entire package, from project planning, engineering, production and assembly to special logistics services.

In addition, VOSS Fluid offers convincing economic additional services and optimization concepts that fully take into account procurement costs, assembly costs, the sustainability of the tightness of the screw connection and long-term corrosion protection.

The company's consistent quality policy and the defined quality objectives - all of which are reflected in the necessary certifications and approvals of the relevant associations and specialist bodies - have ensured VOSS a leading position in all established markets for many years.

Through worldwide depots with a wide range of systems and a global network of authorized dealers, VOSS Fluid stands for the very highest availability of products and offers particularly economical delivery systems. These range from a KANBAN Full Service to the complete optimization of the customer's supply chain.

With regular training courses and application-related information, VOSS Fluid offers a wide range of special services.



The internal and inter-company logistics of the entire VOSS Group provide considerable cost advantages, which make it possible for customers to plan their production precisely in time and in line with capacity without having to build up their own inventories.

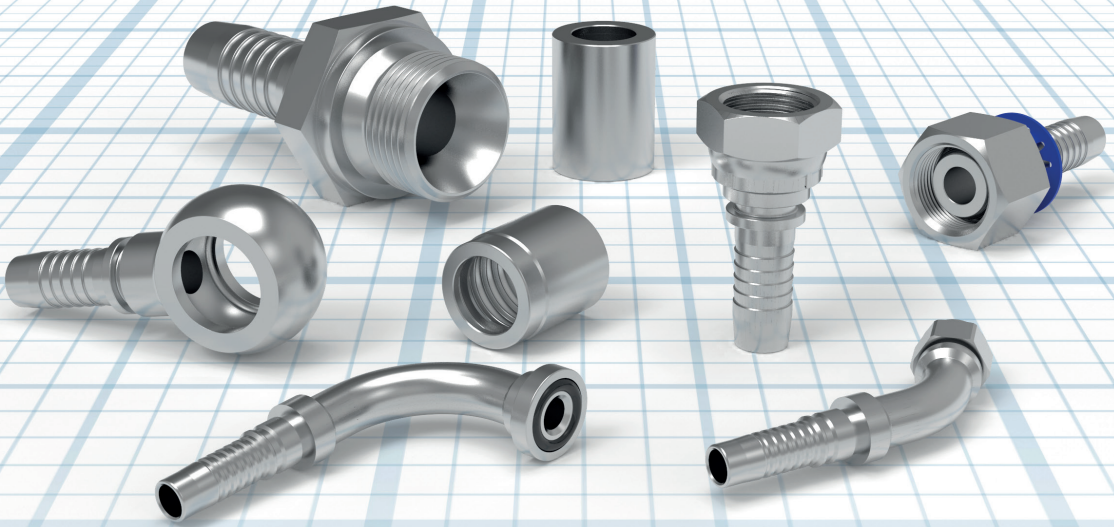
Energy and environmental policy of the VOSS Group

- 01** As a group of companies we make a continuous contribution to effective environmental protection. We strive for a sustainable balance between ecology, economy and social responsibility, thus ensuring the long-term success and continued existence of the company.
- 02** With our integrated management system, we implement the standards and clearly assign responsibility to the corporate levels. Within this framework, compliance with applicable legal requirements is consistently checked and the environmental awareness of our employees is continuously promoted.
- 03** All environmental effects of our activities are monitored and evaluated with the aim of constantly reducing the effects. We develop new processes and update existing ones in order to continuously improve our energy and environmental performance with the participation of the entire workforce.
- 04** The management undertakes to actively support the energy and environmental management system by providing the necessary resources, setting strategic and operational objectives and an appropriate information policy.
- 05** When manufacturing our products, we attach great importance to the efficient use of input resources and encourage our business partners to apply the same standards as we do ourselves.



Overview of hose fittings

The right connections for all applications



Content Type/Page

Hose connection systems P.10

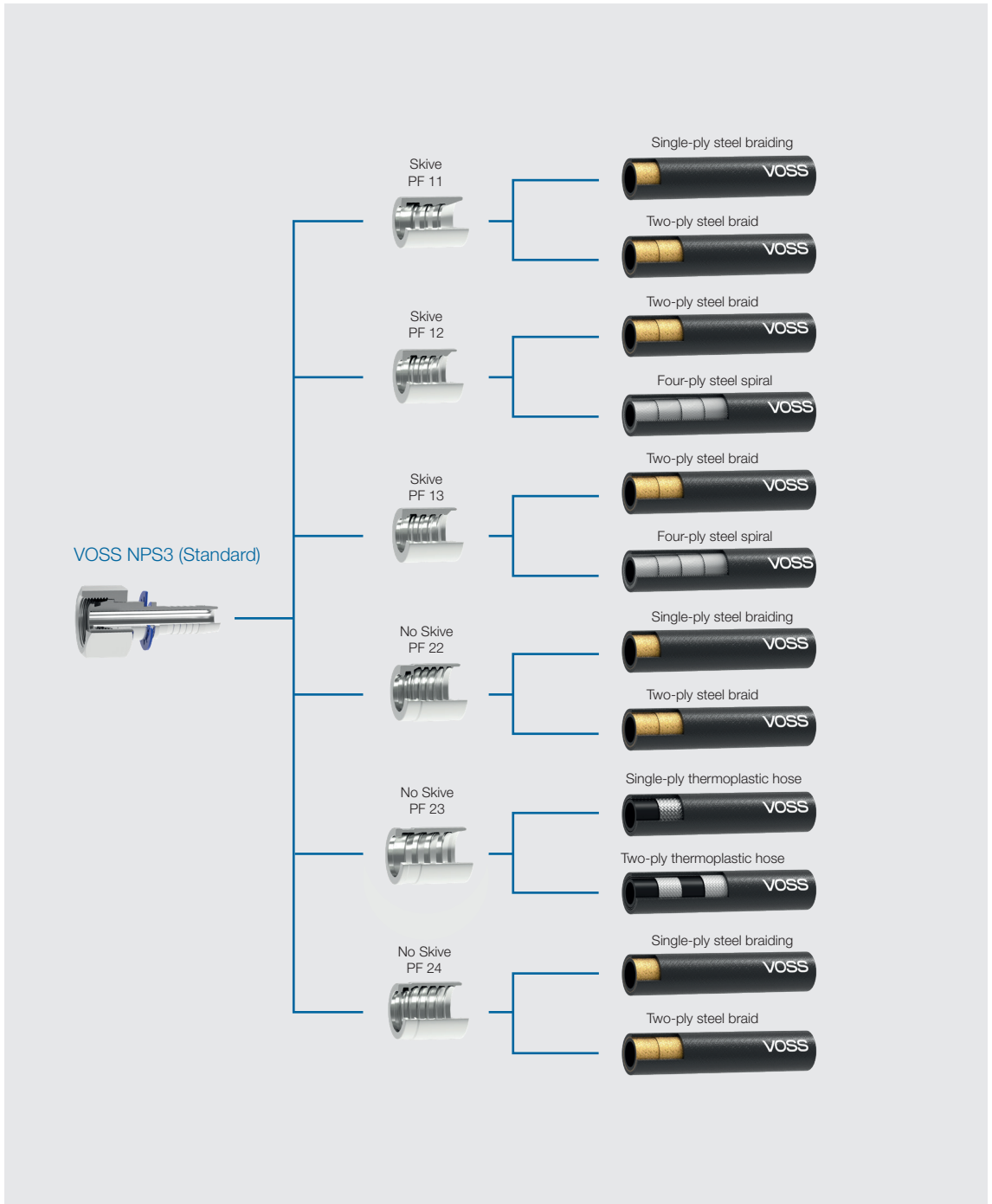
The complete range of VOSS hose fittings P.12

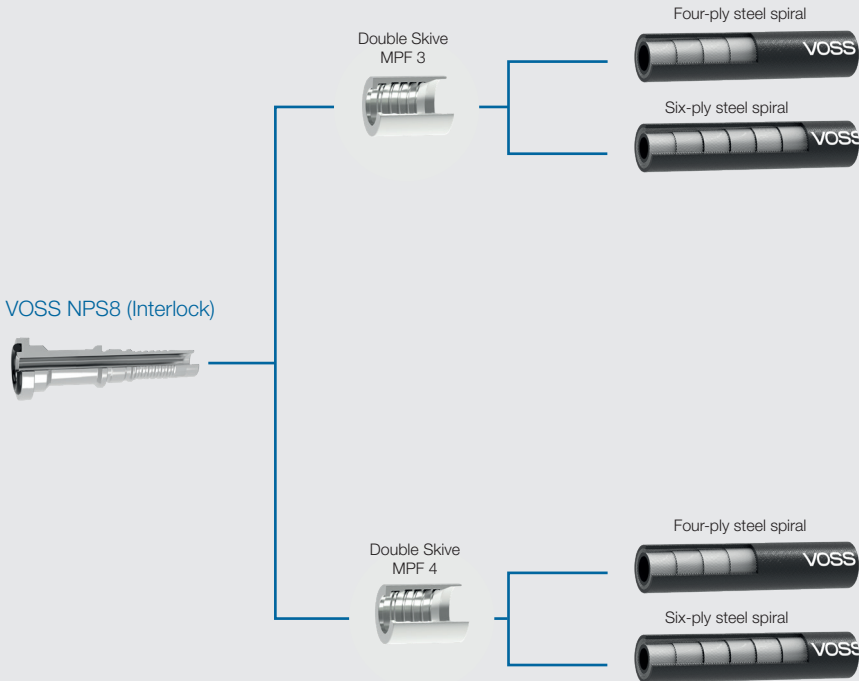
Application table for hose nipples and ferrules P.18

Product information VOSS hose fittings P.20

How to obtain a permanently leak-free coupling system P.24

Hose connection systems – The right connections for all applications





The complete range of VOSS hose fittings

VOSS NPS3 (Standard)

Skive		
PF 11  P. 31	PF 12  P. 32	PF 13  P. 33

Swaged ferrules

No Skive		
PF 22  P. 36	PF 23  P. 37	PF 24  P. 38

24° seal cone	
CEL  P. 40	CES  P. 41

Hose fittings

24° seal cone / Series L			24° seal cone / Series S		
DKOL  P. 44	DKOL 45  P. 46	DKOL 90  P. 49	DKOS  P. 50	DKOS 45  P. 51	DKOS 90  P. 52

Universal seal cone		
DKM/L  P. 54	DKM/L 45  P. 55	DKM/L 90  P. 56

Hose fittings

BSP thread		
<p>AGR</p>  <p>P. 58</p>	<p>AGR K</p>  <p>P. 59</p>	<p>AGR F</p>  <p>P. 60</p>

UN/UNF thread
<p>AGJ</p>  <p>P. 62</p>

NPTF thread
<p>AGN</p>  <p>P. 66</p>


BSP thread / 60° seal cone		
<p>DKR</p>  <p>P. 68</p>	<p>DKR 45</p>  <p>P. 69</p>	<p>DKR 90</p>  <p>P. 70</p>

BSP thread / 60° seal cone / O-ring		
<p>DKOR</p>  <p>P. 72</p>	<p>DKOR 45</p>  <p>P. 73</p>	<p>DKOR 90</p>  <p>P. 74</p>

UN/UNF thread / 37° seal cone			
<p>DKJ</p>  <p>P. 76</p>	<p>DKJ 45</p>  <p>P. 77</p>	<p>DKJ 90</p>  <p>P. 78</p>	<p>DKJ-WS</p>  <p>P. 79</p>

Hose fittings

UN/UNF thread ORFS

ORFS	ORFS 45	ORFS 90	AORFS
			
P. 82	P. 83	P. 84	P. 85

SAE flange 3000/6000 PSI

FL3 / FL6 3000 / 6000 PSI	FL3 45 / FL6 45 3000 / 6000 PSI	FL3 90 / FL6 90 3000 / 6000 PSI
		
P. 88/92	P. 89/93	P. 90/94





Flange 9000 PSI

FLCAT	FLCAT 45	FLCAT 90
		
P. 96	P. 97	P. 98

Banjo inserts

RNR	RNM
	
P. 100	P. 101

Tube socket Series L/S

BEL	BEL 90	BES	BES 90
			
P. 104	P. 105	P. 108	P. 109

The complete range of VOSS hose fittings

VOSS NPS8 (Interlock)

Double Skive

MPF 3



P. 116

MPF 4



P. 117

Swaged ferrules

24° seal cone

MCES



P. 120

Hose fittings

Seal cone O-ring

MDKOS



P. 122

MDKOS 45



P. 123

MDKOS 90



P. 124

BSP thread

MAGR



P. 126

UN/UNF thread

MAGJ



P. 128

NPTF thread

MAGN



P. 130

BSP thread / 60° seal cone / O-ring

MDKOR



P. 132

MDKOR 45



P. 133

MDKOR 90



P. 134




Hose fittings

2




UN/UNF thread / 37° seal cone / O-ring

<p>MDKOJ</p>  <p>P. 136</p>	<p>MDKOJ 45</p>  <p>P. 137</p>	<p>MDKOJ 90</p>  <p>P. 138</p>
---	---	---




UN/UNF thread ORFS

<p>MORFS</p>  <p>P. 140</p>	<p>MORFS 45</p>  <p>P. 141</p>	<p>MORFS 90</p>  <p>P. 142</p>
---	---	---

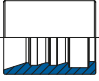

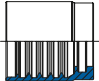
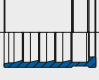
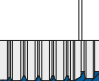
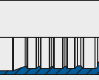
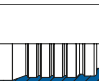
SAE flange 3000/6000 PSI

<p>MFL3 / MFL6 3000 / 6000 PSI</p>  <p>P. 144 / 148</p>	<p>MFL3 45 / MFL6 45 3000 / 6000 PSI</p>  <p>P. 145 / 149</p>	<p>MFL3 90 / MFL6 90 3000 / 6000 PSI</p>  <p>P. 146 / 150</p>
--	---	---

Flange 9000 PSI

<p>MFLCAT</p>  <p>P. 152</p>	<p>MFLCAT 45</p>  <p>P. 153</p>	<p>MFLCAT 90</p>  <p>P. 154</p>
--	--	--

Application table for hose nipples and ferrules

Nipple profile	Ferrules	Applica- tion	Hose size	Hose type				
				EN 853 1SN SAE 100 R2AT	EN 853 2SN SAE 100 R2AT	EN 857 1SC	EN 857 2SC	SAE 100 R17
VOSS NPS3	 PF11	Skive	DN Inch Dash	5 – 51 3/16" – 2" -03 – -32		6 – 25 1/4" – 1" -04 – -16	6 – 25 1/4" – 1" -04 – -16	6 – 25 1/4" – 1" -04 – -16
	 PF12/13	Skive	DN Inch Dash		5 – 51 3/16" – 2" -03 – -32			
	 PF22	No Skive	DN Inch Dash	5 – 51 3/16" – 2" -03 – -32	5 – 51 3/16" – 2" -03 – -32			
	 PF23	No Skive	DN Inch Dash					
	 PF24	No Skive	DN Inch Dash	5 – 31 3/16" – 1 1/4" -03 – -20		6 – 25 1/4" – 1" -04 – -16	6 – 25 1/4" – 1" -04 – -16	6 – 25 1/4" – 1" -04 – -16
VOSS NPS8	 MPF3	Double Skive	DN Inch Dash					
	 MPF4	Double Skive	DN Inch Dash					

EN 855 R7	EN 855 R8	EN 856 4SP	SAE 100 R12	EN 856 4SH	EN 856 R13 SAE 100 R13	EN 856 R15 SAE 100 R15	EN 854 2TE	EN 854 3TE
		6 – 51 1/4" – 2" -04 – -32	10 – 51 3/8" – 2" -06 – -32					
4 – 25 3/16" – 1" -03 – -16	4 – 12 3/16" – 1/2" -03 – -08							
				19 – 51 3/4" – 2" -12 – -32	19 – 25 3/4" – 1" -12 – -16	19 – 25 3/4" – 1" -12 – -16		
					31 – 51 1 1/4" – 2" -20 – -32	31 – 38 1 1/4" – 1 1/2" -20 – -24		

Safety & Flexibility with VOSS hose fittings

Hydraulic systems are only as efficient as each individual component. So VOSS Fluid places the same high demands on the quality of its hose fittings as on the rest of the range. This is true for their leakage and assembly reliability as well as their versatility and durability. The synergy between VOSS Fluid hose fittings and other VOSS coupling systems guarantees the right fit for any application.

All components and systems from VOSS are perfectly matched. Uniform values and parameters make assembly easier, more reliable and increase protection against leakage while improving the load capacity. In addition, as the standard VOSS Fluid solutions provide exemplary corrosion protection that has set the benchmark in the market and significantly increases the product service lives.



Main advantages of the hose fittings

There are many reasons for using hose fittings from VOSS Fluid. Here are some of the main reasons:

- Precision-engineered solutions developed from decades of competence and expertise.
- Transfer of experience values from tube couplings to hose fittings.
- Perfect alignment between fittings and couplings.
- Highest leak-proofing thanks to standardization of system components.
- Efficient assembly reliability thanks to consistent assembly criteria.
- Standard, long service life through maximum corrosion protection with a VOSS coat coating.
- Versatility with multi-variant product solutions.
- Permanent product availability through a global network of authorized dealers.
- Logistics and procurement benefits because everything comes from one, single source, including services for all product groups.
- Consulting and application competence with consideration of the entire system for the perfect solution.

Hose fittings in the DKO version

The highest targets are maximum impermeability and prevention

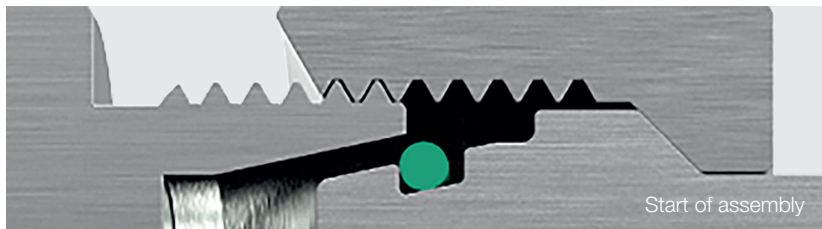
Hose connections that are produced based on VOSS taper couplings with O-rings provide huge reliability bonuses even under dynamic loads and vibrations. Their structural details in depth:

- Permanent stability thanks to metallic taper coupling on the fitting body and additional soft seal.
- Reduced work effort thanks to reduced tightening distances and tightening forces.
- Maximum tightness thanks to embedded FKM O-ring (standard).
- For applications with high operating pressures, vibrations, pulses or temperature fluctuations.

Ideal for high loads

Hose fittings in the DKO variant can be simply and reliably mounted. Their connection dimensions comply with ISO 8434-1. With their dimensional equivalence they can easily be built-into existing connection systems. Here are some other reasons that they are enjoying ever-increasing use:

- Improved leak-proofing and precision seal.
- Higher pressure resistance and functional reliability even under extreme operating conditions such as pressure shocks, alternating bending loads and vibrations.
- Easy, fast and reliable assembly.
- Repeat assemblies can be carried out frequently and without problems.



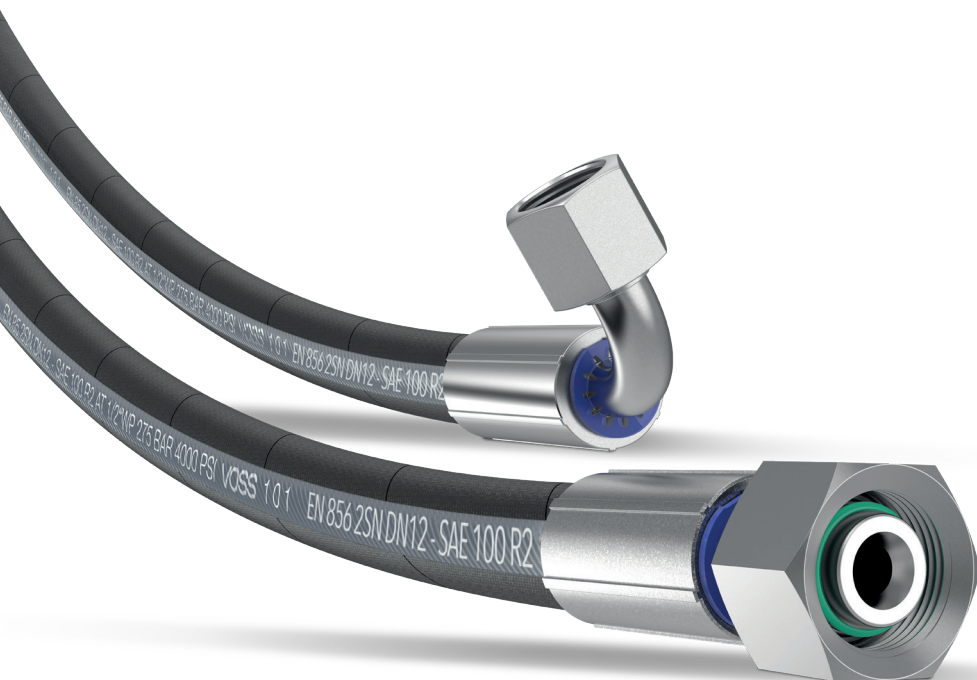
Over-tightening protection prevents faults

If the tightening torques are exceeded during assembly, leaks are possible in the sealing area of connected hydraulic components in contrast, VOSS Fluid has built-in over-tightening protection in its hose fittings as well as in its tube couplings.

The principle: If a fitter tightens past the optimum end of assembly, the front face of the over-tightening protection and the connecting piece collide. A noticeable increase in force indicates the end of the assembly to the worker.

The contacting front faces prevent a further increase in force in the 24° seal cone, which prevents spreading of the connection taper while also preventing damage to the sealing surfaces. The over-tightening protection does not impede retightening the connection.

Even repeat assemblies are perfectly possible, in particular because the components are protected against deformation.



Solutions for all variants

Against the background of diverse stresses on hoses, normally three different embedding methods are used for perfectly fitting the hose fixtures.

They differ in the casing of the elastomer in the deformation area and each exhibits different, application-specific thicknesses. The best thing first: VOSS Fluid offers the entire range of commercially available hydraulic hoses including fittings of up to 2 inches as well as all pressure ranges. That means we can always provide you with the best solution during the consulting process.

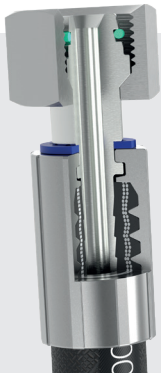
Skive

The top-most outer layer of the hose material is worn out accurately. This enables the ferrule to form a direct connection with the wire mesh. The advantage during this is the strong frictional connection between the hose and the fitting and the associated high pressure resistance and impermeability. This system provides a special benefit in safety in the application process.



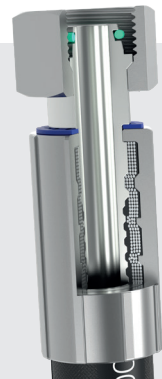
No Skive

Here the elastomer of the hose remains unskived. Instead, the ferrule is pushed over the unskived hose and compressed. The advantages are easy, fast and the assembly is clean. This system offers a special plus in cleanliness and speed in the assembly process.



Double Skive (Interlock)

In addition to the outer layer, a defined, short part of the inner layer of the hose material is also skived off. This way an exceptionally strong form fit is achieved in the fitting area. The advantage of this technology is the continuously improved pull-off protection which is why it is commonly used in demanding applications and high-pressure areas.



How to obtain a permanently leak-free coupling system

Permanently leak-free joints increase the efficiency of your products and enhance your product image. The variety of VOSS coupling systems and the high type diversity provide the right alternative for almost every application.

Taking the respective application into account, we recommend the following for the design and selection of the correct coupling system:

Pay attention to the basics!

Before selecting the coupling system, important parameters such as pressure, volume flow, ambient temperature, external influences, standardization and/or legislation and the type of load should be known. One important additional decision criterion should be the cost-effectiveness of the coupling. In addition to the incurred purchase price, the procurement costs, the installation effort, the sustainability of the sealing function and the long-term corrosion protection must also be included in the total cost consideration.

If possible, use a continuous soft sealing system!

Soft-sealing systems prevent even the smallest leakage paths, which can be caused by setting of the connection, temperature fluctuations and vibrations. The VOSS Fluid product range enables the consistent use of elastomers on the tube connection and threaded side of the connection. Please note the different material properties of the sealing materials.

You can consistently rely on VOSS Fluid products!

In general, it is possible to use different coupling components from different manufacturers, however, we recommend using only VOSS components. The VOSS Fluid products are perfectly matched to each other, guaranteeing the best function and quality.

Profit from our broad application competence!

VOSS Fluid and our authorized specialist dealers have a wide range of knowledge for almost every application. Take advantage of our experience and get customized advice before selecting a system.

Assemble exclusively according to the VOSS assembly instructions!

Leaky connections are mainly caused by assembly errors. That is why it is necessary to follow the assembly and operating instructions carefully. VOSS Fluid offers comprehensive training material as well as practical seminars on all aspects of hydraulic couplings. On request, we will also be happy to conduct these at your company and provide valuable tips, specially designed for your production processes. When assembling hose assemblies, always comply with all necessary standards, directives and regulations.

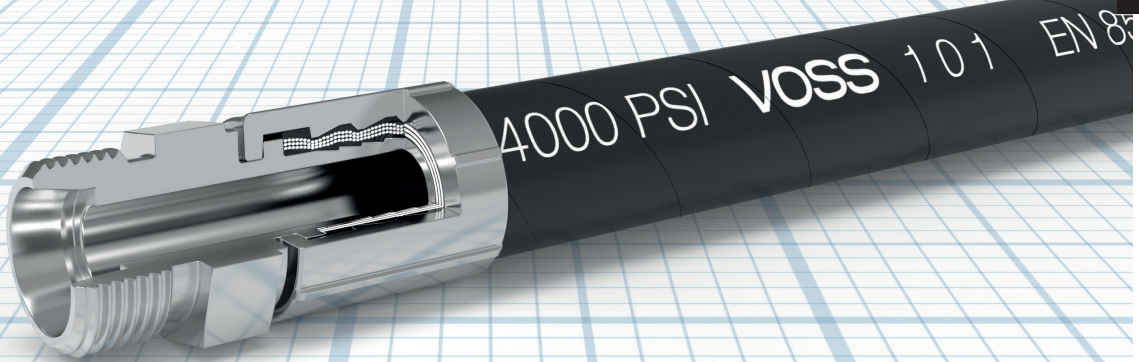
Have yourself regularly audited by VOSS Fluid!

Check at regular intervals whether changes have resulted in your internal production processes, for example due to new assembly personnel or worn machines and tools. We offer auditing as a service, during which we check your assembly on site.

Check your tube and hose installation!




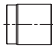
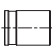
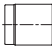

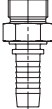
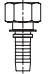
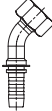
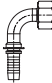
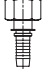
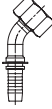
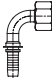
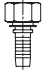

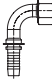
Make sure that your tube and hose assemblies are professionally laid and supported at regular intervals. Excessively rigid constructions cannot absorb vibrations, while carelessly supported tube systems tend to vibrate.

Hose fittings VOSS NPS3 (Standard)




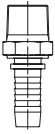





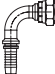


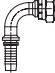




Content

Type/Page

Skive swaged ferrules	PF 11	PF 12	PF 13
			
	P.31	P.32	P.33
No Skive swaged ferrules	PF 22	PF 23	PF 24
			
	P.36	P.37	P.38
Hose fittings with 24° cone	CEL	CES	
			
	P.40	P.41	
Hose fittings with 24° taper L series	DKOL	DKOL 45	DKOL 90
			
	P.44	P.46	P.47
Hose fittings with 24° taper S series	DKOS	DKOS 45	DKOS 90
			
	P.50	P.51	P.52
Hose fittings with universal taper	DKM/L	DKM/L 45	DKM/L 90
			
	P.54	P.55	P.56


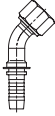
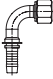
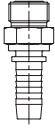
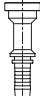
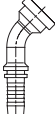
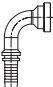
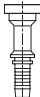
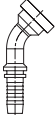
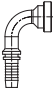



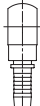
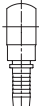
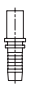
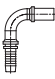
Content

Type/Page

Hose fittings with BSP thread	AGR	AGR K	AGR F	
				
	P.58	P.59	P.60	
Hose fittings with UN/UNF thread	AGJ			
				
	P.62			
Hose fittings with NPTF thread	AGN			
				
	P.66			
Hose fittings with BSP thread and 60° taper	DKR	DKR 45	DKR 90	
				
	P.68	P.69	P.70	
Hose fittings with BSP thread and 60° taper O-ring	DKOR	DKOR 45	DKOR 90	
				
	P.72	P.73	P.74	
Hose fittings with UN/UNF thread and 37° cone	DKJ	DKJ 45	DKJ 90	DKJ-WS
				
	P.76	P.77	P.78	P.79

Content

Type/Page

Hose fittings ORFS with UN/UNF thread	ORFS	ORFS 45	ORFS 90	AORFS
				
	P.82	P.83	P.84	P.85
Hose fittings with SAE flange standard series (3000 psi)	FL3	FL3 45	FL3 90	
				
	P.88	P.89	P.90	
Hose fittings with SAE flange high pressure series (6000 psi)	FL6	FL6 45	FL6 90	
				
	P.92	P.93	P.94	
Hose fittings with flange high pressure series (9000 psi)	FLCAT	FLCAT 45	FLCAT 90	
				
	P.96	P.97	P.98	
Ring eyelets	RNR	RBM		
				
	P.100	P.101		
Hose Fittings with tube socket L series	BEL	BEL 90		
				
	P.104	P.105		

Content

Type/Page

Hose Fittings with tube socket S series

BES

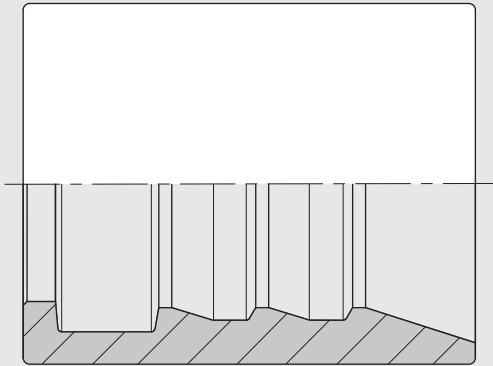
BES 90



P.108

P.109

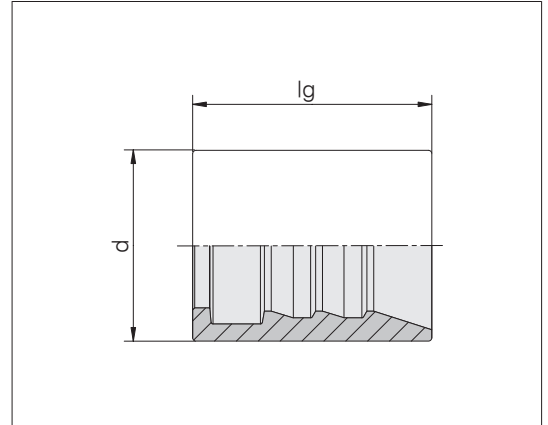
Skive swaged ferrules



PF 11

Skive swaged ferrules for wire braided hoses according to

SAE 100 R1A/R1AT
EN 853 1ST/1SN
EN 857 1SC/2SC hose



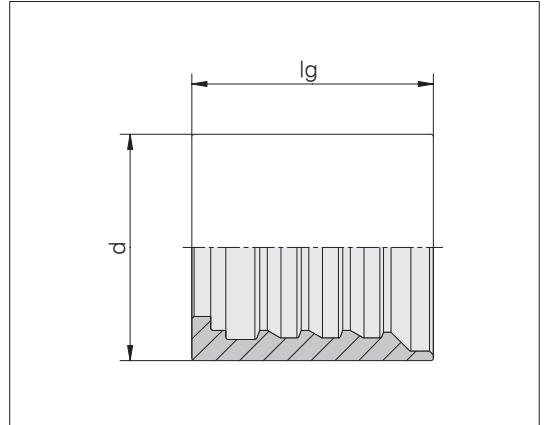
Hose size			d	lg	Order-No.	Designation
DN	Inch	Dash				
5	3/16	-03	17	26	7000029801	HF-FER/PF11-DN05-OS
6	1/4	-04	20	31	7000029901	HF-FER/PF11-DN06-OS
8	5/16	-05	21	31	7000030001	HF-FER/PF11-DN08-OS
10	3/8	-06	24	31	7000030101	HF-FER/PF11-DN10-OS
12	1/2	-08	28	35	7000030201	HF-FER/PF11-DN12-OS
16	5/8	-10	31	36	7000030301	HF-FER/PF11-DN16-OS
19	3/4	-12	35	42.5	7000030401	HF-FER/PF11-DN19-OS
25	1	-16	42	50.5	7000030501	HF-FER/PF11-DN25-OS
31	1 1/4	-20	52	59	7000219201	HF-FER/PF11-DN31-OS
38	1 1/2	-24	58	63	7000219301	HF-FER/PF11-DN38-OS
51	2	-32	71	70	7000219401	HF-FER/PF11-DN51-OS

The maximum operating pressure is determined by the respective hose fitting and hose.

PF 12

Skive swaged ferrules for braided and spiral hoses according to

SAE 100 R2A/R2AT
EN 853 2ST/2SN
EN 856 4SP/R12 hose



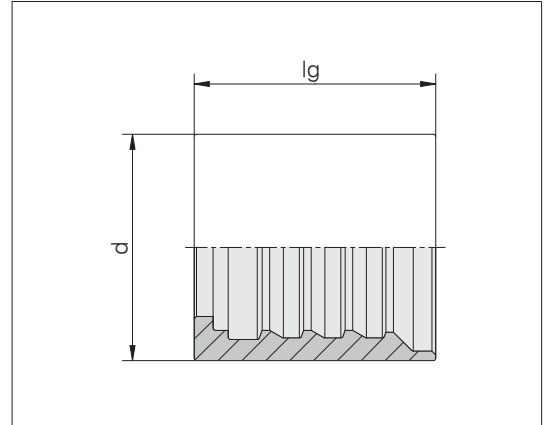
Hose size			d	lg	Order-No.	Designation
DN	Inch	Dash				
5	3/16	-03	21	26	7000219501	HF-FER/PF12-DN05-OS
6	1/4	-04	22	30	7000219601	HF-FER/PF12-DN06-OS
8	5/16	-05	23	30	7000219701	HF-FER/PF12-DN08-OS
10	3/8	-06	26	31	7000219801	HF-FER/PF12-DN10-OS
12	1/2	-08	30	32	7000219901	HF-FER/PF12-DN12-OS
31	1 1/4	-20	57	58	7000032301	HF-FER/PF12-DN31-OS
38	1 1/2	-24	65	62	7000032401	HF-FER/PF12-DN38-OS
51	2	-32	79	73.5	7000032501	HF-FER/PF12-DN51-OS

The maximum operating pressure is determined by the respective hose fitting and hose.

PF 13

Skive swaged ferrules for braided and spiral hoses according to

SAE 100 R2A/R2AT
 EN 853 2ST/2SN
 EN 856 4SP/R12 hose

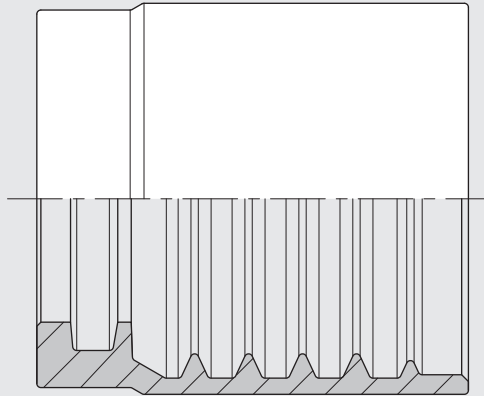


3

Hose size			d	lg	Order-No.	Designation
DN	Inch	Dash				
16	5/8	-10	33	38	7000220001	HF-FER/PF13-DN16-OS
19	3/4	-12	38	42.5	7000220101	HF-FER/PF13-DN19-OS
25	1	-16	46	51	7000220201	HF-FER/PF13-DN25-OS

The maximum operating pressure is determined by the respective hose fitting and hose.

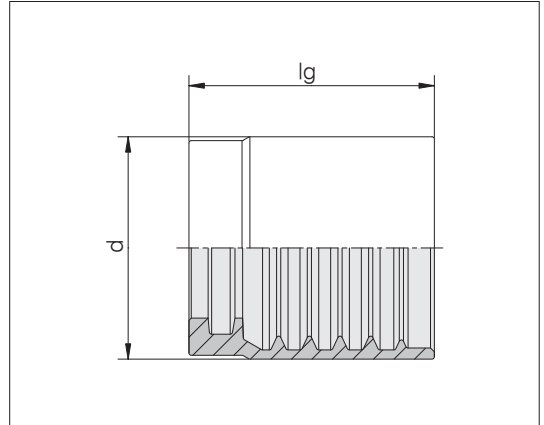
No Skive swaged ferrules



PF 22

No Skive swaged ferrules for wire braided hoses according to

SAE 100 R1AT/R2AT
EN 853 1SN/2SN



Hose size			d	lg	Order-No.	Designation
DN	Inch	Dash				
5	3/16	-03	21	23.5	7000028700	HF-FER/PF22-DN05
6	1/4	-04	23	30	7000028800	HF-FER/PF22-DN06
8	5/16	-05	24	30	7000028900	HF-FER/PF22-DN08
10	3/8	-06	26	31	7000029000	HF-FER/PF22-DN10
12	1/2	-08	29	32	7000029100	HF-FER/PF22-DN12
16	5/8	-10	33	36	7000029200	HF-FER/PF22-DN16
19	3/4	-12	37	42.5	7000029300	HF-FER/PF22-DN19
25	1	-16	46	51	7000029400	HF-FER/PF22-DN25
31	1 1/4	-20	59	57.5	7000029500	HF-FER/PF22-DN31
38	1 1/2	-24	67	60.5	7000029600	HF-FER/PF22-DN38
51	2	-32	80	74	7000029700	HF-FER/PF22-DN51

The maximum operating pressure is determined by the respective hose fitting and hose.

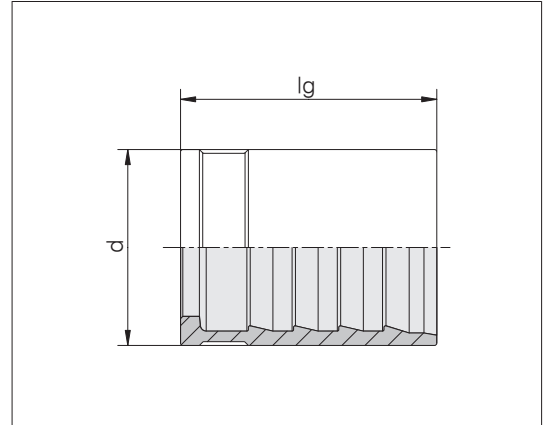
PF 23

No Skive swaged ferrules for thermoplastic hoses according to

SAE 100 R7/R8

EN 855 R7/R8

R8 hoses are limited to 1/2"



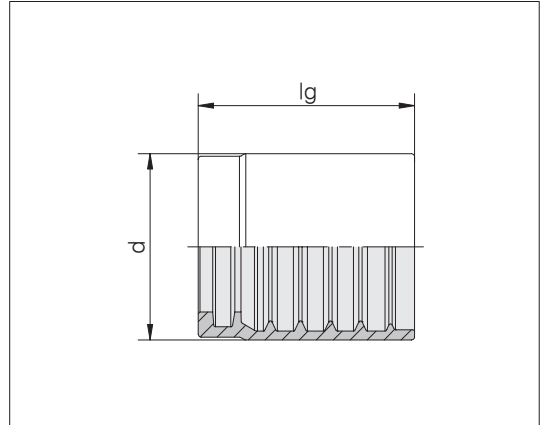
Hose size			d	lg	Order-No.	Designation
DN	Inch	Dash				
5	3/16	-03	14	26.5	7000220300	HF-FER/PF23-DN05
6	1/4	-04	18	30.5	7000220400	HF-FER/PF23-DN06
8	5/16	-05	19	32	7000220500	HF-FER/PF23-DN08
10	3/8	-06	22	33	7000220600	HF-FER/PF23-DN10
12	1/2	-08	26	34	7000220700	HF-FER/PF23-DN12
16	5/8	-10	31	36	7002109400	HF-FER/PF23-DN16
19	3/4	-12	35	42.5	7002109700	HF-FER/PF23-DN19
25	1	-16	41	51	7002110000	HF-FER/PF23-DN25

The maximum operating pressure is determined by the respective hose fitting and hose.

PF 24

No Skive swaged ferrules for braided hoses according to

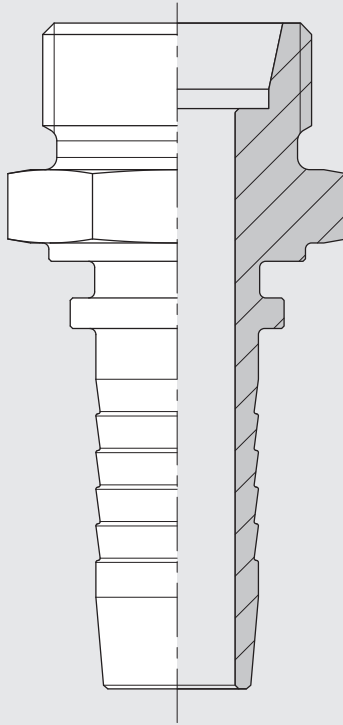
EN 857 1SC/2SC
 1K/2K (exceeds EN 857 1SC/2SC)
 SAE 100 R1AT
 EN 853 1SN



Hose size			d	lg	Order-No.	Designation
DN	Inch	Dash				
6	1/4	-04	20	30	7004061800	HF-FER/PF24-DN06
8	5/16	-05	22	30	7004062300	HF-FER/PF24-DN08
10	3/8	-06	24	31	7004062700	HF-FER/PF24-DN10
12	1/2	-08	28	32	7004063400	HF-FER/PF24-DN12
16	5/8	-10	31	36	7004063700	HF-FER/PF24-DN16
19	3/4	-12	35	42.5	7004063100	HF-FER/PF24-DN19
25	1	-16	43	51	7004062400	HF-FER/PF24-DN25
31	1 1/4	-20	55	57.5	7006650500	HF-FER/PF24-DN31

The maximum operating pressure is determined by the respective hose fitting and hose.

Hose fittings with 24° cone

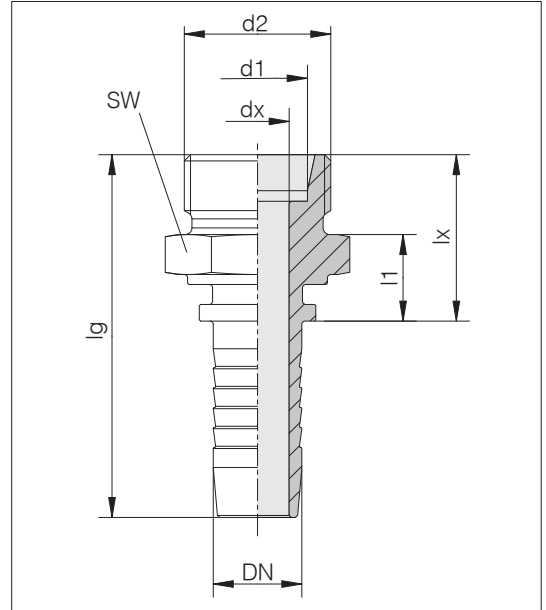


CEL

Hose fittings with metric thread and 24° cone

ISO 12151-2 (ISO 8434-1)

L series



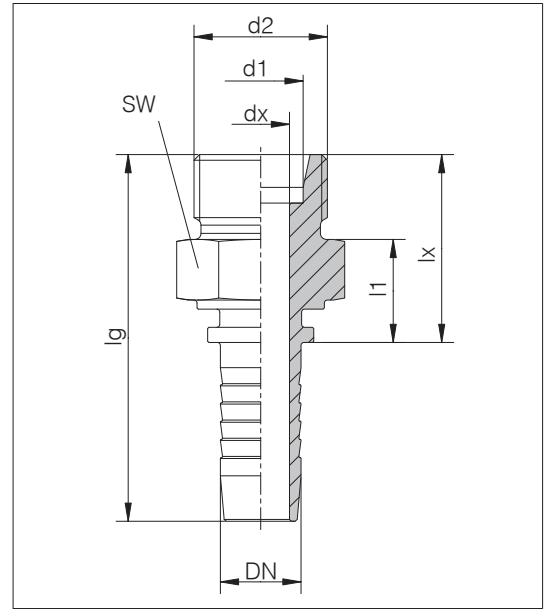
Series	Hose size			d2	dx	lg	lx	l1	SW	Order-No.	Designation
Tube OD	DN	Inch	Dash	metric							
d1											
L 6	5	3/16	-03	M 12 x 1.5	3	43	21	11	14	7000049000	HF/24-S-L6-DN05
L 6	6	1/4	-04	M 12 x 1.5	4	50	22	12	14	7000049200	HF/24-S-L6-DN06
L 8	6	1/4	-04	M 14 x 1.5	4	50	22	12	17	7000049300	HF/24-S-L8-DN06
L 10	6	1/4	-04	M 16 x 1.5	4	51	23	12	17	7000049400	HF/24-S-L10-DN06
L 10	8	5/16	-05	M 16 x 1.5	5.5	51	23	12	17	7000049600	HF/24-S-L10-DN08
L 10	10	3/8	-06	M 16 x 1.5	7	54	24.5	13.5	17	7000049800	HF/24-S-L10-DN10
L 12	6	1/4	-04	M 18 x 1.5	4	52	24	13	19	7000049500	HF/24-S-L12-DN06
L 12	8	5/16	-05	M 18 x 1.5	5.5	52	24	13	19	7000049700	HF/24-S-L12-DN08
L 12	10	3/8	-06	M 18 x 1.5	7	54	24.5	13.5	19	7000049900	HF/24-S-L12-DN10
L 12	12	1/2	-08	M 18 x 1.5	9.5	55.5	26	15	22	7002124900	HF/24-S-L12-DN12
L 15	10	3/8	-06	M 22 x 1.5	7	55	25.5	13.5	24	7000050000	HF/24-S-L15-DN10
L 15	12	1/2	-08	M 22 x 1.5	9.5	56.5	27	15	24	7000050100	HF/24-S-L15-DN12
L 15	16	5/8	-10	M 22 x 1.5	12.5	61	27	15	24	7002125300	HF/24-S-L15-DN16
L 18	10	3/8	-06	M 26 x 1.5	7	56	26.5	14.5	27	7002125500	HF/24-S-L18-DN10
L 18	12	1/2	-08	M 26 x 1.5	9.5	57.5	28	16	27	7000050200	HF/24-S-L18-DN12
L 18	16	5/8	-10	M 26 x 1.5	12.5	62	28	16	27	7000050300	HF/24-S-L18-DN16
L 18	19	3/4	-12	M 26 x 1.5	15	69	30	18	27	7002125900	HF/24-S-L18-DN19
L 22	16	5/8	-10	M 30 x 2	12.5	64	30	16	32	7002126100	HF/24-S-L22-DN16
L 22	19	3/4	-12	M 30 x 2	15	71	32	18	32	7000050600	HF/24-S-L22-DN19
L 28	25	1	-16	M 36 x 2	19.5	80	33	19	41	7000050700	HF/24-S-L28-DN25
L 35	31	1 1/4	-20	M 45 x 2	26	93	38.5	22.5	46	7000050800	HF/24-S-L35-DN31
L 42	38	1 1/2	-24	M 52 x 2	32	99.5	41.5	25.5	55	7000050900	HF/24-S-L42-DN38

CES

Hose fittings with metric thread and
24° cone

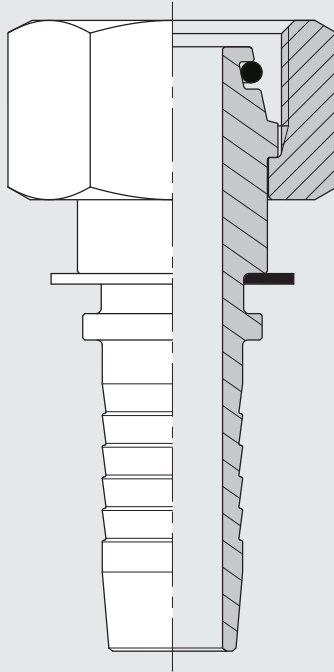
ISO 12151-2 (ISO 8434-1)

S series



Series	Hose size			d2	dx	lg	lx	l1	SW	Order-No.	Designation
Tube OD	DN	Inch	Dash	metric							
S 6	6	1/4	-04	M 14 x 1.5	4	55	27	15	17	7002126700	HF/24-S-S6-DN06
S 8	6	1/4	-04	M 16 x 1.5	4	55	27	15	17	7000051300	HF/24-S-S8-DN06
S 8	8	5/16	-05	M 16 x 1.5	5.5	55	27	15	17	7002127000	HF/24-S-S8-DN08
S 10	6	1/4	-04	M 18 x 1.5	4	55	27	15	19	7000051400	HF/24-S-S10-DN06
S 10	8	5/16	-05	M 18 x 1.5	5.5	55	27	15	19	7000051600	HF/24-S-S10-DN08
S 10	10	3/8	-06	M 18 x 1.5	7	57	27.5	15.5	19	7000051800	HF/24-S-S10-DN10
S 12	6	1/4	-04	M 20 x 1.5	4	57	29	17	22	7002127500	HF/24-S-S12-DN06
S 12	8	5/16	-05	M 20 x 1.5	5.5	57	29	17	22	7000051700	HF/24-S-S12-DN08
S 12	10	3/8	-06	M 20 x 1.5	7	59	29.5	17.5	22	7000051900	HF/24-S-S12-DN10
S 14	10	3/8	-06	M 22 x 1.5	7	61	31.5	17.5	24	7000052000	HF/24-S-S14-DN10
S 16	12	1/2	-08	M 24 x 1.5	9.5	62.5	33	19	27	7000052200	HF/24-S-S16-DN12
S 20	16	5/8	-10	M 30 x 2	12.5	71	37	21	32	7000052300	HF/24-S-S20-DN16
S 20	19	3/4	-12	M 30 x 2	15	78	39	23	32	7000052400	HF/24-S-S20-DN19
S 25	19	3/4	-12	M 36 x 2	15	82	43	25	36	7000052500	HF/24-S-S25-DN19
S 25	25	1	-16	M 36 x 2	19.5	90	43	25	36	7000052600	HF/24-S-S25-DN25
S 30	25	1	-16	M 42 x 2	19.5	92	45	25	46	7000052700	HF/24-S-S30-DN25
S 38	31	1 1/4	-20	M 52 x 2	26	106	51.5	29.5	55	7000052900	HF/24-S-S38-DN31

Hose fittings with 24° taper L series

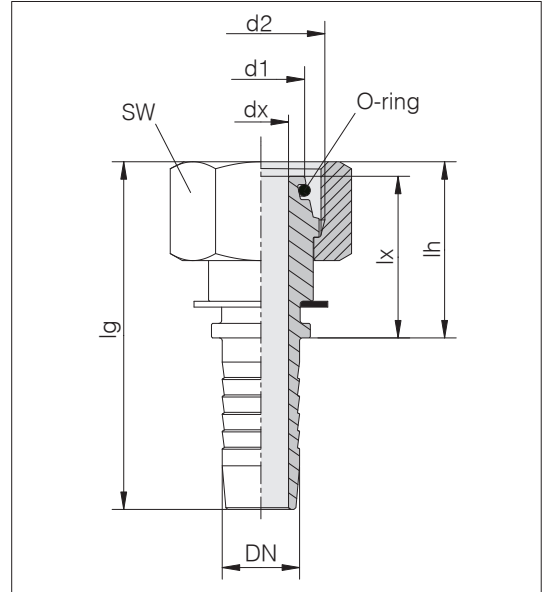


DKOL

Hose fittings with 24° taper and O-ring fit in bore type
W DIN 3861/ISO 8434-1

ISO 12151-2 (ISO 8434-1)

Standard O-ring material is FKM



Series	Hose size			d2	dx	lg	lx	lh	SW	O-ring	Order-No.	Designation
Tube OD	DN	Inch	Dash	metric								
d1												
L 6	5	3/16	-03	M 12 x 1,5	3	47	25	25	14	4 x 1,5	7000036400	HF/24-SWOS-L6-DN05
L 6	6	1/4	-04	M 12 x 1,5	3	50	21,5	22	14	4 x 1,5	7000036600	HF/24-SWOS-L6-DN06 ³⁾
L 8	6	1/4	-04	M 14 x 1,5	4	53	25	25	17	6 x 1,5	7000036700	HF/24-SWOS-L8-DN06
L 8	8	5/16	-05	M 14 x 1,5	4	51,5	23,5	23,5	17	6 x 1,5	7002212200	HF/24-SWOS-L8-DN08
L 10	6	1/4	-04	M 16 x 1,5	4	56,5	27,5	28,5	19	7,5 x 1,5	7000036800	HF/24-SWOS-L10-DN06
L 10	8	5/16	-05	M 16 x 1,5	5,5	54	25	26	19	7,5 x 1,5	7000037000	HF/24-SWOS-L10-DN08
L 10	10	3/8	-06	M 16 x 1,5	6	54	23,5	24,5	19	7,5 x 1,5	7000037200	HF/24-SWOS-L10-DN10 ³⁾
L 12	6	1/4	-04	M 18 x 1,5	4	55,5	26,5	27,5	22	9 x 1,5	7000036900	HF/24-SWOS-L12-DN06
L 12	8	5/16	-05	M 18 x 1,5	5,5	55,5	26,5	27,5	22	9 x 1,5	7000037100	HF/24-SWOS-L12-DN08
L 12	10	3/8	-06	M 18 x 1,5	7	56,5	26	27	22	9 x 1,5	7000037300	HF/24-SWOS-L12-DN10
L 12	12	1/2	-08	M 18 x 1,5	9,5	56	25	26,5	22	9 x 1,5	7002211600	HF/24-SWOS-L12-DN12
L 15	10	3/8	-06	M 22 x 1,5	7	59,5	27,5	30	27	12 x 2	7000037400	HF/24-SWOS-L15-DN10
L 15	12	1/2	-08	M 22 x 1,5	9,5	60	28,5	30,5	27	12 x 2	7000037500	HF/24-SWOS-L15-DN12
L 15	16	5/8	-10	M 22 x 1,5	12,5	61,5	26	27,5	27	12 x 2	7004397700	HF/24-SWOS-L15-DN16
L 18	12	1/2	-08	M 26 x 1,5	9,5	61,5	29,5	32	32	15 x 2	7000037600	HF/24-SWOS-L18-DN12
L 18	16	5/8	-10	M 26 x 1,5	12,5	66,5	30,5	32,5	32	15 x 2	7000037700	HF/24-SWOS-L18-DN16
L 18	19	3/4	-12	M 26 x 1,5	15	70	28	31	32	15 x 2	7002211700	HF/24-SWOS-L18-DN19
L 22	16	5/8	-10	M 30 x 2	19,5	80,5	30,5	33,5	36	20 x 2	7004397800	HF/24-SWOS-L22-DN25
L 22	16	1	-10	M 30 x 2	12,5	68	30,5	34	36	20 x 2	7002211800	HF/24-SWOS-L22-DN16
L 22	19	3/4	-12	M 30 x 2	15	75,5	33	36,5	36	20 x 2	7000038000	HF/24-SWOS-L22-DN19
L 28	19	3/4	-12	M 36 x 2	15	77	34	38	41	26 x 2	7002211900	HF/24-SWOS-L28-DN19
L 28	25	1	-16	M 36 x 2	19,5	85	35	38	41	26 x 2	7000038100	HF/24-SWOS-L28-DN25
L 35	25	1	-16	M 45 x 2	19,5	89,5	38,5	42,5	50	32 x 2,5	7002212000	HF/24-SWOS-L35-DN25
L 35	31	1 1/4	-20	M 45 x 2	26	99	41,5	44,5	50	32 x 2,5	7000038200	HF/24-SWOS-L35-DN31
L 35	38	1 1/2	-24	M 45 x 2	28	100,5	38,5	42,5	50	32 x 2,5	7002212100	HF/24-SWOS-L35-DN38

³⁾ Crimped union nuts

Continued on following page

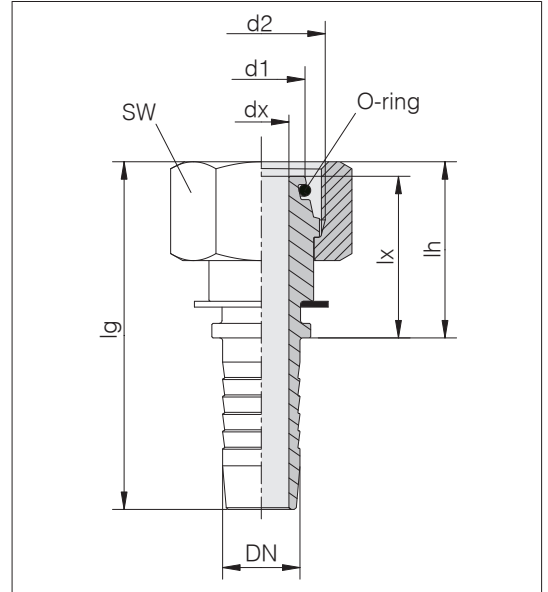


DKOL

Hose fittings with 24° taper and O-ring
fit in bore type
W DIN 3861/ISO 8434-1

ISO 12151-2 (ISO 8434-1)

Standard O-ring material is FKM



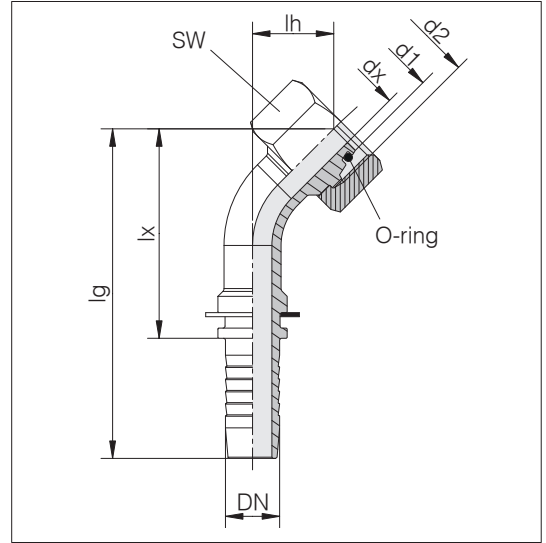
Series	Hose size			d2 metric	dx	lg	lx	lh	SW	O-ring	Order-No.	Designation
	Tube OD	DN	Inch									
L 42	31	1 1/4	-20	M 52 x 2	26	98.5	41	44	60	38 x 2,5	7004397600	HF/24-SWOS-L42-DN31
L 42	38	1 1/2	-24	M 52 x 2	32	102	41	44	60	38 x 2,5	7000038300	HF/24-SWOS-L42-DN38

DKOL 45

Hose fittings with 24° taper and O-ring fit in bore type
W DIN 3861/ISO 8434-1

ISO 12151-2 (ISO 8434-1)

Standard O-ring material is FKM



Series	Hose size			d2	dx	lg	lx	lh	SW	O-ring	Order-No.	Designation
Tube OD	DN	Inch	Dash	metric								
L 6	5	3/16	-03	M 12 x 1.5	3	58	36	16.5	14	4 x 1,5	7000044800	HF/24-SWOE45-L6-DN05
L 6	6	1/4	-04	M 12 x 1.5	3	66	38	19.5	14	4 x 1,5	7002210100	HF/24-SWOE45-L6-DN06 ³⁾
L 8	6	1/4	-04	M 14 x 1.5	4	65	37	17.5	17	6 x 1,5	7000040900	HF/24-SWOE45-L8-DN06
L 8	8	5/16	-05	M 14 x 1.5	4	71.5	43.5	21.5	17	6 x 1,5	7002210200	HF/24-SWOE45-L8-DN08
L 10	6	1/4	-04	M 16 x 1.5	4	65	37	18	19	7,5 x 1,5	7000041000	HF/24-SWOE45-L10-DN06
L 10	8	5/16	-05	M 16 x 1.5	5.5	67.5	39.5	17.5	19	7,5 x 1,5	7000041200	HF/24-SWOE45-L10-DN08
L 10	10	3/8	-06	M 16 x 1.5	6	77.5	48	23.5	19	7,5 x 1,5	7000041400	HF/24-SWOE45-L10-DN10 ³⁾
L 12	6	1/4	-04	M 18 x 1.5	4	66.5	38.5	19	22	9 x 1,5	7002209600	HF/24-SWOE45-L12-DN06
L 12	8	5/16	-05	M 18 x 1.5	5.5	69	41	19	22	9 x 1,5	7004122100	HF/24-SWOE45-L12-DN08
L 12	10	3/8	-06	M 18 x 1.5	7	74	44.5	20	22	9 x 1,5	7000041500	HF/24-SWOE45-L12-DN10
L 15	10	3/8	-06	M 22 x 1.5	7	73.5	44	20.5	27	12 x 2	7002209700	HF/24-SWOE45-L15-DN10
L 15	12	1/2	-08	M 22 x 1.5	9.5	80	50.5	21.5	27	12 x 2	7000041700	HF/24-SWOE45-L15-DN12
L 15	16	5/8	-10	M 22 x 1.5	9.5	100	66	29	27	12 x 2	7004396400	HF/24-SWOE45-L15-DN16
L 18	12	1/2	-08	M 26 x 1.5	9.5	81.5	52	22	32	15 x 2	7002209800	HF/24-SWOE45-L18-DN12
L 18	16	5/8	-10	M 26 x 1.5	12.5	95	61	24.5	32	15 x 2	7000041900	HF/24-SWOE45-L18-DN16
L 22	16	5/8	-10	M 30 x 2	12.5	96	62	26.5	36	20 x 2	7002209900	HF/24-SWOE45-L22-DN16
L 22	19	3/4	-12	M 30 x 2	15	107.5	68.5	26.5	36	20 x 2	7000042200	HF/24-SWOE45-L22-DN19
L 28	19	3/4	-12	M 36 x 2	15	109.5	70.5	30	41	26 x 2	7002210000	HF/24-SWOE45-L28-DN19
L 28	25	1	-16	M 36 x 2	19.5	132.5	85.5	30	41	26 x 2	7000042300	HF/24-SWOE45-L28-DN25
L 28	31	1 1/4	-20	M 36 x 2	22	163.5	109	41	41	26 x 2	7004397000	HF/24-SWOE45-L28-DN31
L 35	31	1 1/4	-20	M 45 x 2	26	160	105.5	37.5	50	32 x 2,5	7000042400	HF/24-SWOE45-L35-DN31
L 42	38	1 1/2	-24	M 52 x 2	32	181	123	43.5	60	38 x 2,5	7000042500	HF/24-SWOE45-L42-DN38

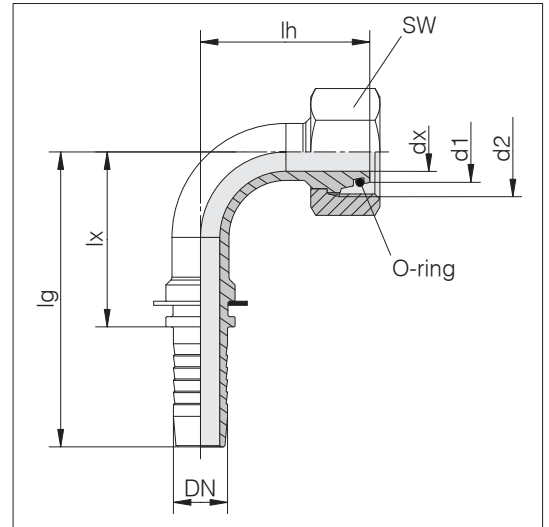
³⁾ Crimped union nuts

DKOL 90

Hose fittings with 24° taper and O-ring fit in bore type
W DIN 3861/ISO 8434-1

ISO 12151-2 (ISO 8434-1)

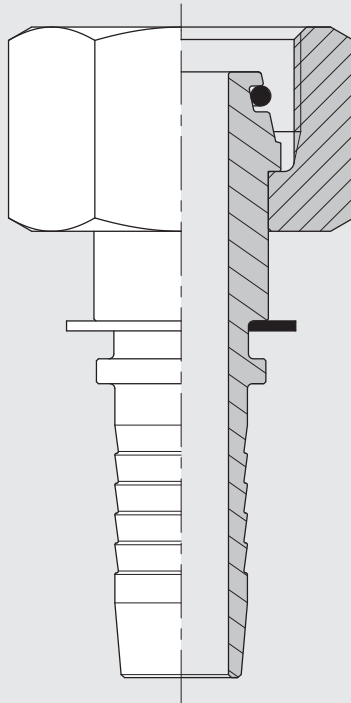
Standard O-ring material is FKM



Series	Hose size			d2	dx	lg	lx	lh	SW	O-ring	Order-No.	Designation
Tube OD	DN	Inch	Dash	metric								
d1												
L 6	5	3/16	-03	M 12 x 1.5	3	49.5	27.5	31	14	4 x 1,5	7000040600	HF/24-SWOE-L6-DN05
L 6	6	1/4	-04	M 12 x 1.5	3	55	27	37.5	14	4 x 1,5	7000045000	HF/24-SWOE-L6-DN06 ³⁾
L 8	6	1/4	-04	M 14 x 1.5	4	55	27	33.5	17	6 x 1,5	7000045100	HF/24-SWOE-L8-DN06
L 8	8	5/16	-05	M 14 x 1.5	4	57	29	39	17	6 x 1,5	7002211100	HF/24-SWOE-L8-DN08
L 10	6	1/4	-04	M 16 x 1.5	4	55	27	34	19	7,5 x 1,5	7000220800	HF/24-SWOE-L10-DN06
L 10	8	5/16	-05	M 16 x 1.5	5.5	57	29	33.5	19	7,5 x 1,5	7000045400	HF/24-SWOE-L10-DN08
L 10	10	3/8	-06	M 16 x 1.5	6	65	35.5	42.5	19	7,5 x 1,5	7000045600	HF/24-SWOE-L10-DN10 ³⁾
L 12	6	1/4	-04	M 18 x 1.5	4	55.5	27.5	35	22	9 x 1,5	7002210600	HF/24-SWOE-L12-DN06
L 12	8	5/16	-05	M 18 x 1.5	5.5	58	30	35	22	9 x 1,5	7000045500	HF/24-SWOE-L12-DN08
L 12	10	3/8	-06	M 18 x 1.5	7	65	35.5	37	22	9 x 1,5	7000045700	HF/24-SWOE-L12-DN10
L 12	12	1/2	-08	M 18 x 1.5	7.5	71	41.5	48.5	22	9 x 1,5	7004392600	HF/24-SWOE-L12-DN12
L 15	10	3/8	-06	M 22 x 1.5	7	64	34.5	38	27	12 x 2	7002210700	HF/24-SWOE-L15-DN10
L 15	12	1/2	-08	M 22 x 1.5	9.5	71.5	42	43	27	12 x 2	7000045900	HF/24-SWOE-L15-DN12
L 15	16	5/8	-10	M 22 x 1.5	9.5	87	53	56.5	27	12 x 2	7004704300	HF/24-SWOE-L15-DN16
L 18	12	1/2	-08	M 26 x 1.5	9.5	71.5	42	43	32	15 x 2	7002210800	HF/24-SWOE-L18-DN12
L 18	16	5/8	-10	M 26 x 1.5	12.5	87	53	50.5	32	15 x 2	7000046100	HF/24-SWOE-L18-DN16
L 18	19	3/4	-12	M 26 x 1.5	12.5	99.5	60.5	61	32	15 x 2	7004395100	HF/24-SWOE-L18-DN19
L 22	16	5/8	-10	M 30 x 2	12.5	86	52	53	36	20 x 2	7002210900	HF/24-SWOE-L22-DN16
L 22	19	3/4	-12	M 30 x 2	15	99	60	55	36	20 x 2	7000046400	HF/24-SWOE-L22-DN19
L 22	25	1 1/4	-16	M 30 x 2	16	126.5	79.5	74	36	20 x 2	7004393000	HF/24-SWOE-L22-DN25
L 28	19	3/4	-12	M 36 x 2	15	99	60	59.5	41	26 x 2	7002211000	HF/24-SWOE-L28-DN19
L 28	25	1	-16	M 36 x 2	19.5	127	80	67	41	26 x 2	7000046500	HF/24-SWOE-L28-DN25
L 35	31	1 1/4	-20	M 45 x 2	26	153	98.5	81	50	32 x 2,5	7000046600	HF/24-SWOE-L35-DN31
L 35	38	1 1/2	-24	M 45 x 2	28	171	113	104	50	32 x 2,5	7004395700	HF/24-SWOE-L35-DN38
L 42	38	1 1/2	-24	M 52 x 2	32	170	112	99	60	38 x 2,5	7000046700	HF/24-SWOE-L42-DN38

³⁾ Crimped union nuts

Hose fittings with 24° taper S series

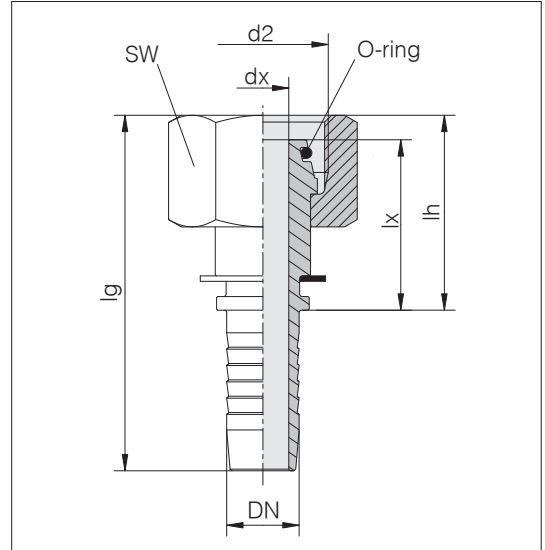


DKOS

Hose fittings with 24° taper and O-ring
fit in bore type
W DIN 3861/ISO 8434-1

ISO 12151-2 (ISO 8434-1)

Standard O-ring material is FKM



Series	Hose size			d2	dx	lg	lx	lh	SW	O-ring	Order-No.	Designation
Tube OD d1	DN	Inch	Dash	metric								
S 6	6	1/4	-04	M 14 x 1.5	2.5	52.5	22.5	24.5	17	4 x 1,5	7002212800	HF/24-SWOS-S6-DN06
S 8	5	3/16	-03	M 16 x 1.5	3	50	25.5	28	19	6 x 1,5	7000038500	HF/24-SWOS-S8-DN05
S 8	6	1/4	-04	M 16 x 1.5	4	55.5	26	27.5	19	6 x 1,5	7000038700	HF/24-SWOS-S8-DN06
S 10	6	1/4	-04	M 18 x 1.5	4	58	27.5	30	22	7.5 x 1,5	7000038800	HF/24-SWOS-S10-DN06
S 10	8	5/16	-05	M 18 x 1.5	5.5	57.5	27.5	29.5	22	7.5 x 1,5	7002212300	HF/24-SWOS-S10-DN08
S 10	10	3/8	-06	M 18 x 1.5	5.5	56	24.5	26.5	22	7.5 x 1,5	7002212400	HF/24-SWOS-S10-DN10
S 12	6	1/4	-04	M 20 x 1.5	4	58	27.5	29.5	24	9 x 1,5	7002212500	HF/24-SWOS-S12-DN06
S 12	8	5/16	-05	M 20 x 1.5	5.5	57	26.5	29	24	9 x 1,5	7000039100	HF/24-SWOS-S12-DN08
S 12	10	3/8	-06	M 20 x 1.5	7	58.5	27.5	29	24	9 x 1,5	7000039300	HF/24-SWOS-S12-DN10
S 12	12	1/2	-08	M 20 x 1.5	7.5	57	25.5	27.5	24	9 x 1,5	7002212600	HF/24-SWOS-S12-DN12
S 14	10	3/8	-06	M 22 x 1.5	7	64.5	30.5	35	27	10 x 2	7000039400	HF/24-SWOS-S14-DN10
S 14	12	1/2	-08	M 22 x 1.5	9.5	60	26	30.5	27	10 x 2	7002212700	HF/24-SWOS-S14-DN12
S 16	10	3/8	-06	M 24 x 1.5	7	64	30.5	34.5	30	12 x 2	7004397900	HF/24-SWOS-S20-DN10
S 16	12	1/2	-08	M 24 x 1.5	9.5	65	31.5	35.5	30	12 x 2	7000039600	HF/24-SWOS-S16-DN12
S 16	16	5/8	-10	M 24 x 1.5	10	63	27.5	29	30	12 x 2	7004398000	HF/24-SWOS-S16-DN16
S 20	16	5/8	-10	M 30 x 2	12.5	74.5	37.5	40.5	36	16,3 x 2,4	7000039700	HF/24-SWOS-S20-DN16
S 20	19	3/4	-12	M 30 x 2	14	81	39	42	36	16,3 x 2,4	7000039800	HF/24-SWOS-S20-DN19
S 25	19	3/4	-12	M 36 x 2	15	87	42	48	46	20,3 x 2,4	7000040000	HF/24-SWOS-S25-DN19
S 25	25	1	-16	M 36 x 2	18	88.5	36	41.5	46	20,3 x 2,4	7000040100	HF/24-SWOS-S25-DN25 ³⁾
S 30	25	1	-16	M 42 x 2	19.5	97.5	43	50.5	50	25,3 x 2,4	7000040200	HF/24-SWOS-S30-DN25
S 38	31	1 1/4	-20	M 52 x 2	26	113.5	50	59	60	33,3 x 2,4	7000040400	HF/24-SWOS-S38-DN31

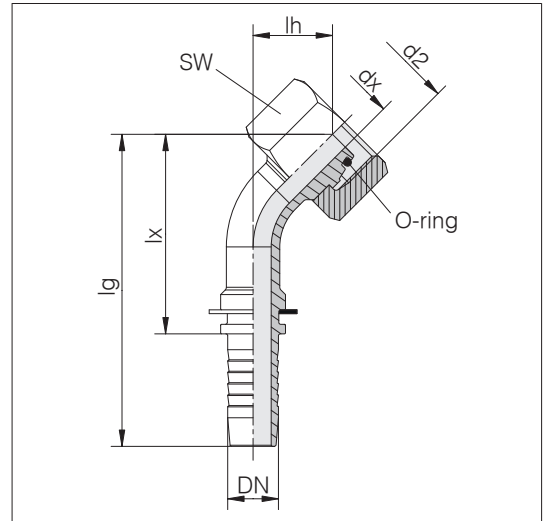
³⁾ Crimped union nuts

DKOS 45

Hose fittings with 24° taper and O-ring fit in bore type
W DIN 3861/ISO 8434-1

ISO 12151-2 (ISO 8434-1)

Standard O-ring material is FKM



Series	Hose size			d2	dx	lg	lx	lh	SW	O-ring	Order-No.	Designation
Tube OD d1	DN	Inch	Dash	metric								
S 6	6	1/4	-04	M 14 x 1.5	2.5	67.5	39.5	19	17	4 x 1,5	7002210500	HF/24-SWOE45-S6-DN06
S 8	5	3/16	-03	M 16 x 1.5	3	58.5	36.5	17	19	6 x 1,5	7000042700	HF/24-SWOE45-S8-DN05 ²⁾
S 8	6	1/4	-04	M 16 x 1.5	4	65.5	37.5	18.5	19	6 x 1,5	7000042900	HF/24-SWOE45-S8-DN06
S 10	6	1/4	-04	M 18 x 1.5	4	65	37	18	22	7,5 x 1,5	7000043000	HF/24-SWOE45-S10-DN06
S 10	8	5/16	-05	M 18 x 1.5	5.5	67.5	39.5	18	22	7,5 x 1,5	7002210300	HF/24-SWOE45-S10-DN08
S 10	10	3/8	-06	M 18 x 1.5	5.5	76	46.5	24	22	7,5 x 1,5	7002210400	HF/24-SWOE45-S10-DN10
S 12	8	5/16	-05	M 20 x 1.5	5.5	69	41	19	24	9 x 1,5	7000043300	HF/24-SWOE45-S12-DN08
S 12	10	3/8	-06	M 20 x 1.5	7	75	45.5	21	24	9 x 1,5	7000043500	HF/24-SWOE45-S12-DN10
S 14	10	3/8	-06	M 22 x 1.5	7	75.5	46	21	27	10 x 2	7000043600	HF/24-SWOE45-S14-DN10
S 16	10	3/8	-06	M 24 x 1.5	7	76	46.5	22	30	12 x 2	7004398100	HF/24-SWOE45-S16-DN10
S 16	12	1/2	-08	M 24 x 1.5	9.5	81.5	52	23	30	12 x 2	7000043800	HF/24-SWOE45-S16-DN12
S 20	16	5/8	-10	M 30 x 2	12.5	98.5	64.5	28	36	16,3 x 2,4	7000043900	HF/24-SWOE45-S20-DN16
S 20	19	3/4	-12	M 30 x 2	14	110.5	71.5	29.5	36	16,3 x 2,4	7000044000	HF/24-SWOE45-S20-DN19
S 25	19	3/4	-12	M 36 x 2	15	110.5	71.5	29.5	46	20,3 x 2,4	7000044200	HF/24-SWOE45-S25-DN19
S 25	25	1	-16	M 36 x 2	18	142.5	95.5	40	46	20,3 x 2,4	7000044300	HF/24-SWOE45-S25-DN25 ³⁾
S 30	25	1	-16	M 42 x 2	19.5	135	88	34	50	25,3 x 2,4	7000044400	HF/24-SWOE45-S30-DN25
S 38	31	1 1/4	-20	M 52 x 2	26	162	107.5	39.5	60	33,3 x 2,4	7000044600	HF/24-SWOE45-S38-DN31

³⁾ Crimped union nuts

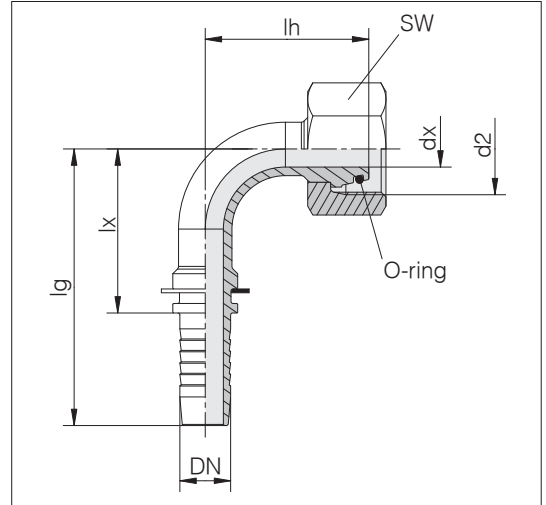
²⁾ Special sizes only on request

DKOS 90

Hose fittings with 24° taper and O-ring fit in bore type
W DIN 3861/ISO 8434-1

ISO 12151-2 (ISO 8434-1)

Standard O-ring material is FKM

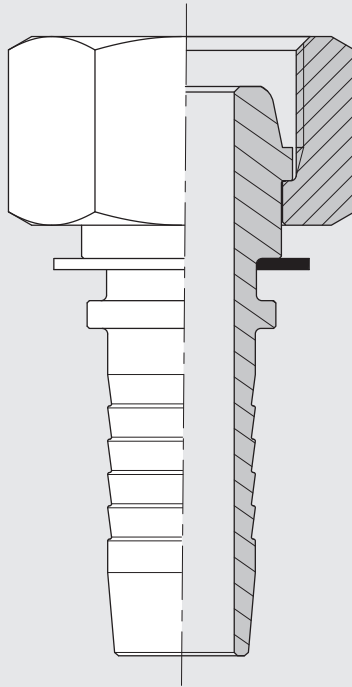


Series	Hose size			d2	dx	lg	lx	lh	SW	O-ring	Order-No.	Designation
Tube OD	DN	Inch	Dash	metric								
d1												
S 6	6	1/4	-04	M 14 x 1.5	2.5	57	29	35	17	4 x 1,5	7002211500	HF/24-SWOE-S6-DN06
S 8	5	3/16	-03	M 16 x 1.5	3	50	28	32	19	6 x 1,5	7000046900	HF/24-SWOE-S8-DN05 ²⁾
S 8	6	1/4	-04	M 16 x 1.5	4	55	27	34	19	6 x 1,5	7000047100	HF/24-SWOE-S8-DN06
S 10	6	1/4	-04	M 18 x 1.5	4	55	27	34	22	7,5 x 1,5	7000047200	HF/24-SWOE-S10-DN06
S 10	8	5/16	-05	M 18 x 1.5	5.5	58	30	34	22	7,5 x 1,5	7002211200	HF/24-SWOE-S10-DN08
S 10	10	3/8	-06	M 18 x 1.5	5.5	63	33.5	43.5	22	7,5 x 1,5	7002211300	HF/24-SWOE-S10-DN10
S 12	6	1/4	-04	M 20 x 1.5	4	55	27	34.5	24	9 x 1,5	7002211400	HF/24-SWOE-S12-DN06
S 12	8	5/16	-05	M 20 x 1.5	5.5	58	30	35	24	9 x 1,5	7000047500	HF/24-SWOE-S12-DN08
S 12	10	3/8	-06	M 20 x 1.5	7	65	35.5	38.5	24	9 x 1,5	7000047700	HF/24-SWOE-S12-DN10
S 14	10	3/8	-06	M 22 x 1.5	7	65	35.5	39	27	10 x 2	7000047800	HF/24-SWOE-S14-DN10
S 16	12	1/2	-08	M 24 x 1.5	9.5	71.5	42	44.5	30	12 x 2	7000048000	HF/24-SWOE-S16-DN12
S 20	12	1/2	-08	M 30 x 2	9.5	71.5	42	50	36	16,3 x 2,4	7004398200	HF/24-SWOE-S20-DN12
S 20	16	5/8	-10	M 30 x 2	12.5	87.5	53.5	55.5	36	16,3 x 2,4	7000048100	HF/24-SWOE-S20-DN16
S 20	19	3/4	-12	M 30 x 2	14	99	60	59	36	16,3 x 2,4	7000048200	HF/24-SWOE-S20-DN19
S 25	19	3/4	-12	M 36 x 2	15	99	60	59.5	46	20,3 x 2,4	7000048400	HF/24-SWOE-S25-DN19
S 25	25	1	-16	M 36 x 2	18	125	78	81	46	20,3 x 2,4	7000048500	HF/24-SWOE-S25-DN25 ³⁾
S 30	25	1	-16	M 42 x 2	19.5	125	78	70.5	50	25,3 x 2,4	7000048600	HF/24-SWOE-S30-DN25
S 38	31	1 1/4	-20	M 52 x 2	26	153	98.5	83.5	60	33,3 x 2,4	7000048800	HF/24-SWOE-S38-DN31

³⁾ Crimped union nuts

²⁾ Special sizes only on request

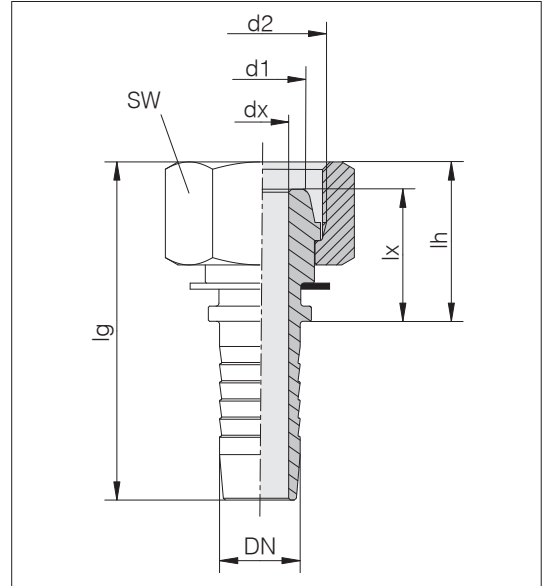
Hose fittings with universal taper



DKM/L

Hose fittings with universal taper
fit in bore type
W DIN 3861/ISO 8434-1 and
bore type Y DIN 3863

DIN 3868:1982



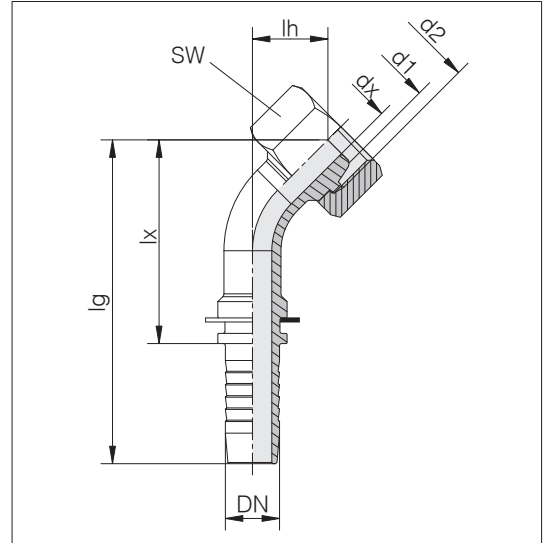
Series	Hose size			d2	dx	lg	lx	lh	SW	Order-No.	Designation
Tube OD	DN	Inch	Dash	metric							
L 8	6	1/4	-04	M 14 x 1.5	4	51	19.5	23	17	7000295200	HF/24/60-SWS-L8-DN06
L 10	6	1/4	-04	M 16 x 1.5	4	51	19.5	23	19	7000295300	HF/24/60-SWS-L10-DN06
L 10	8	5/16	-05	M 16 x 1.5	5.5	51.5	20	23.5	19	7000295400	HF/24/60-SWS-L10-DN08
L 10	10	3/8	-06	M 16 x 1.5	7	53.5	19.5	24	19	7000295500	HF/24/60-SWS-L10-DN10 ³⁾
L 12	6	1/4	-04	M 18 x 1.5	4	53	20.5	25	22	7004401600	HF/24/60-SWS-L12-DN06
L 12	8	5/16	-05	M 18 x 1.5	5.5	53	20.5	25	22	7000295600	HF/24/60-SWS-L12-DN08
L 12	10	3/8	-06	M 18 x 1.5	7	54	20.5	24.5	22	7000295700	HF/24/60-SWS-L12-DN10
L 15	10	3/8	-06	M 22 x 1.5	7	55.5	21	26	27	7000295800	HF/24/60-SWS-L15-DN10
L 15	12	1/2	-08	M 22 x 1.5	9.5	56.5	22	27	27	7000295900	HF/24/60-SWS-L15-DN12
L 18	16	5/8	-10	M 26 x 1.5	12.5	63	24.5	29	32	7000296000	HF/24/60-SWS-L18-DN16

³⁾ Crimped union nuts

DKM/L 45

Hose fittings with universal taper
fit in bore type
W DIN 3861/ISO 8434-1 and
bore type Y DIN 3863

DIN 3868:1982



Series	Hose size			d2	dx	lg	lx	lh	SW	Order-No.	Designation
Tube OD	DN	Inch	Dash	metric							
d1											
L 8	6	1/4	-04	M 14 x 1.5	4	62.5	34.5	14.5	17	7000297000	HF/24/60-SWE45-L8-DN06
L 10	6	1/4	-04	M 16 x 1.5	4	63	35	15.5	19	7000297100	HF/24/60-SWE45-L10-DN06 ²⁾
L 10	8	5/16	-05	M 16 x 1.5	5.5	64.5	36.5	15	19	7000297200	HF/24/60-SWE45-L10-DN08 ²⁾
L 10	10	3/8	-06	M 16 x 1.5	7	72.5	43	19.5	19	7000297300	HF/24/60-SWE45-L10-DN10 ²⁾³⁾
L 12	8	5/16	-05	M 18 x 1.5	5.5	65	37	15.5	22	7000297400	HF/24/60-SWE45-L12-DN08 ²⁾
L 12	10	3/8	-06	M 18 x 1.5	7	71	41.5	18	22	7000297500	HF/24/60-SWE45-L12-DN10
L 15	10	3/8	-06	M 22 x 1.5	7	71.5	42	18.5	27	7000297600	HF/24/60-SWE45-L15-DN10 ²⁾
L 15	12	1/2	-08	M 22 x 1.5	9.5	79.5	50	18.5	27	7000297700	HF/24/60-SWE45-L15-DN12
L 18	16	5/8	-10	M 26 x 1.5	12.5	95	61	24	32	7000297800	HF/24/60-SWE45-L18-DN16

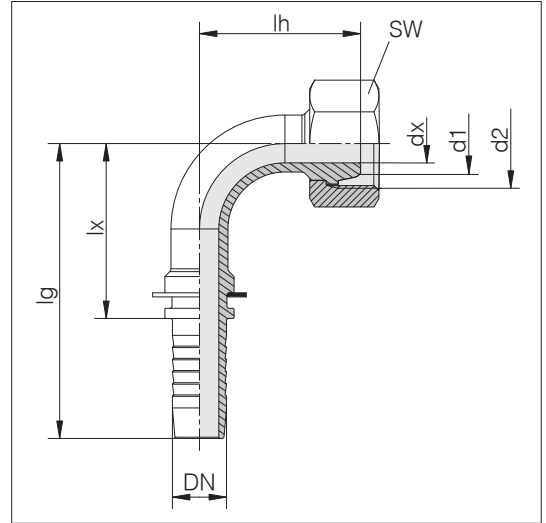
²⁾ Special sizes only on request

³⁾ Crimped union nuts

DKM/L 90

Hose fittings with universal taper
fit in bore type
W DIN 3861/ISO 8434-1 and
bore type Y DIN 3863

DIN 3868:1982

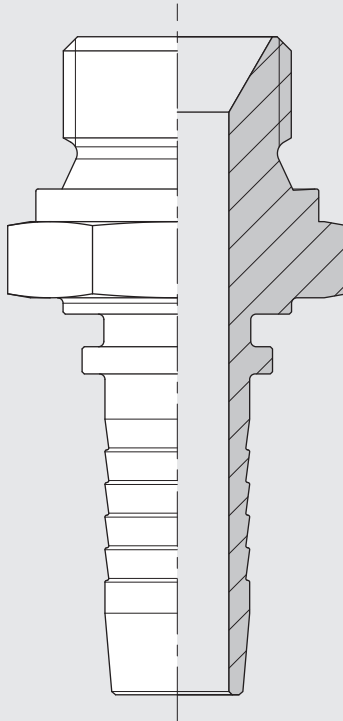


Series	Hose size			d2	dx	lg	lx	lh	SW	Order-No.	Designation
Tube OD	DN	Inch	Dash	metric							
L 8	6	1/4	-04	M 14 x 1.5	4	55	27	30	17	7000296100	HF/24/60-SWE-L8-DN06
L 10	6	1/4	-04	M 16 x 1.5	4	56	28	30	19	7000296200	HF/24/60-SWE-L10-DN06
L 10	8	5/16	-05	M 16 x 1.5	5.5	58	30	30	19	7000296300	HF/24/60-SWE-L10-DN08
L 10	10	3/8	-06	M 16 x 1.5	7	63	33.5	38	19	7000296400	HF/24/60-SWE-L10-DN10 ³⁾
L 12	8	5/16	-05	M 18 x 1.5	5.5	58	30	30.5	22	7000296500	HF/24/60-SWE-L12-DN08
L 12	10	3/8	-06	M 18 x 1.5	7	64	34.5	35	22	7000296600	HF/24/60-SWE-L12-DN10
L 15	10	3/8	-06	M 22 x 1.5	7	64	34.5	35.5	27	7000296700	HF/24/60-SWE-L15-DN10
L 15	12	1/2	-08	M 22 x 1.5	9.5	71.5	42	39.5	27	7000296800	HF/24/60-SWE-L15-DN12
L 18	16	5/8	-10	M 26 x 1.5	12.5	88	54	49.5	32	7000296900	HF/24/60-SWE-L18-DN16

³⁾ Crimped union nuts



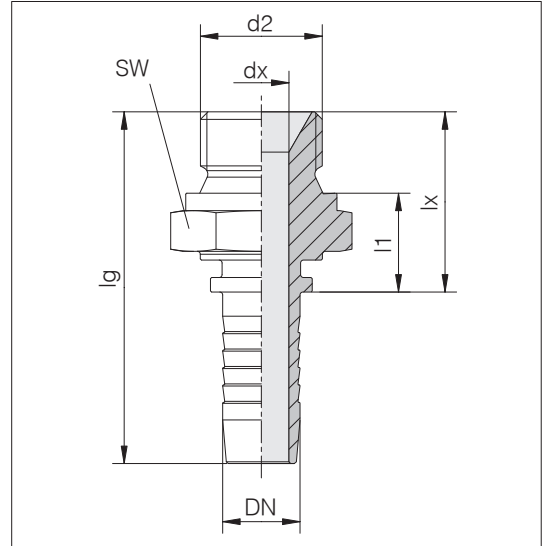
Hose fittings with BSP thread



AGR

Hose fittings with BSP thread and 60° cone, cylindrical

ISO 12151-6 (ISO 8434-6)



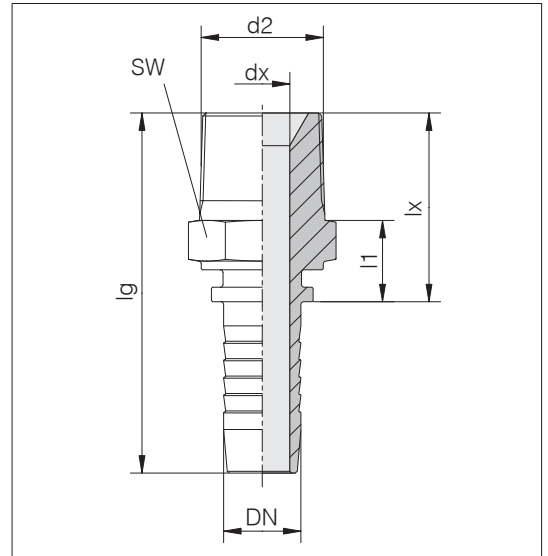
Hose size			d2 BSP	dx	lx	lg	l1	SW	Order-No.	Designation
DN	Inch	Dash								
6	1/4	-04	G 1/8	4	20.5	48.5	12.5	14	7000311900	HF/60-S-5-DN06
6	1/4	-04	G 1/4	4	24	52	13	19	7000312000	HF/60-S-8-DN06
6	1/4	-04	G 3/8	4	26	54	14	22	7000312100	HF/60-S-10-DN06
6	1/4	-04	G 1/2	4	30.5	58.5	16.5	27	7002122500	HF/60-S-12-DN06
8	5/16	-05	G 1/4	5.5	24.5	52.5	13.5	19	7002121700	HF/60-S-8-DN08
8	5/16	-05	G 3/8	5.5	26	54	14	22	7000312200	HF/60-S-10-DN08
10	3/8	-06	G 1/4	7	24.5	54	13.5	19	7002121900	HF/60-S-8-DN10
10	3/8	-06	G 3/8	7	26	55.5	14	22	7000312300	HF/60-S-10-DN10
10	3/8	-06	G 1/2	7	30	59.5	16	27	7000312500	HF/60-S-12-DN10
12	1/2	-08	G 3/8	9.5	27	56.5	15	22	7000312400	HF/60-S-10-DN12
12	1/2	-08	G 1/2	9.5	31	60.5	17	27	7000312600	HF/60-S-12-DN12
12	1/2	-08	G 3/4	9.5	33	62.5	17	32	7000312900	HF/60-S-20-DN12
12	1/2	-08	G 5/8	9.5	33	62.5	17	30	7000312700	HF/60-S-16-DN12
16	5/8	-10	G 3/4	12.5	33	67	17	32	7000313000	HF/60-S-20-DN16
16	5/8	-10	G 5/8	12.5	33	67	17	30	7000312800	HF/60-S-16-DN16
19	3/4	-12	G 3/4	15	34.5	73.5	18.5	32	7000313100	HF/60-S-20-DN19
19	3/4	-12	G 1	15	39.5	78.5	20.5	41	7000313200	HF/60-S-25-DN19
25	1	-16	G 1	19.5	39.5	86.5	20.5	41	7000313300	HF/60-S-25-DN25
25	1	-16	G 1 1/4	19.5	40.5	87.5	20.5	50	7000313400	HF/60-S-32-DN25
31	1 1/4	-20	G 1 1/4	26	42.5	97	22.5	50	7000313500	HF/60-S-32-DN31
38	1 1/2	-24	G 1 1/2	32	45.5	103.5	23.5	55	7000313600	HF/60-S-38-DN38
51	2	-32	G 2	42	52	124.5	27	70	7000313700	HF/60-S-50-DN51

Can also be used as threaded stud in accordance with DIN 3852-2 Form A.



AGR K

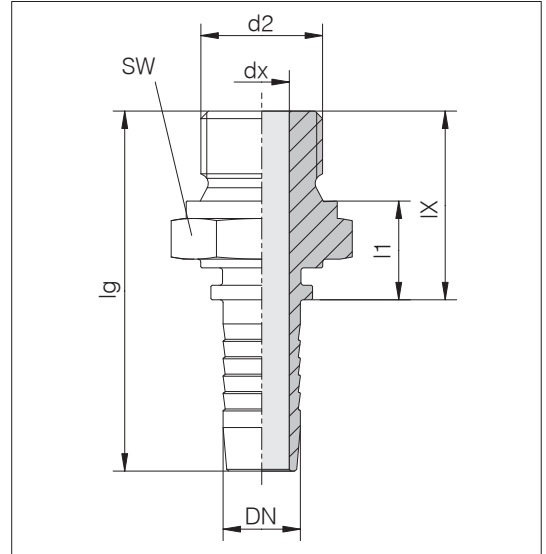
Hose fittings with BSP thread, tapered



Hose size			d2	dx	lx	lg	l1	SW	Order-No.	Designation
DN	Inch	Dash	BSP							
5	3/16	-03	R 1/8	3	21	43	12	12	7000318000	HF/60-SDS-R1/8T-DN05
6	1/4	-04	R 1/8	4	21	49	12	12	7000318100	HF/60-SDS-R1/8T-DN06
6	1/4	-04	R 1/4	4	25.5	53.5	12	14	7000318200	HF/60-SDS-R1/4T-DN06
6	1/4	-04	R 3/8	4	26	54	12	19	7000318300	HF/60-SDS-R3/8T-DN06
8	5/16	-05	R 3/8	5.5	26	54	12	19	7000318400	HF/60-SDS-R3/8T-DN08
10	3/8	-06	R 3/8	7	27	56.5	13	19	7000318500	HF/60-SDS-R3/8T-DN10
10	3/8	-06	R 1/2	7	31.5	61	13	22	7000318600	HF/60-SDS-R1/2T-DN10
12	1/2	-08	R 1/2	9.5	32.5	62	14	22	7000318700	HF/60-SDS-R1/2T-DN12
16	5/8	-10	R 3/4	12.5	35	69	15	27	7000318800	HF/60-SDS-R3/4T-DN16
19	3/4	-12	R 3/4	15	37.5	76.5	17.5	27	7000318900	HF/60-SDS-R3/4T-DN19
19	3/4	-12	R 1	15	41.5	80.5	17.5	36	7000319000	HF/60-SDS-R1T-DN19
25	1	-16	R 1	19.5	41.5	88.5	17.5	36	7000319100	HF/60-SDS-R1T-DN25
25	1	-16	R 1 1/4	19.5	44.5	91.5	18.5	46	7000319200	HF/60-SDS-R11/4T-DN25
31	1 1/4	-20	R 1 1/4	26	46.5	101	20.5	46	7000319300	HF/60-SDS-R11/4T-DN31
38	1 1/2	-24	R 1 1/2	32	47.5	105.5	20.5	50	7000319400	HF/60-SDS-R11/2T-DN38
51	2	-32	R 2	42	55	127.5	24	65	7000319500	HF/60-SDS-R2T-DN51

AGR F

Hose fittings with BSP thread, flat sealing

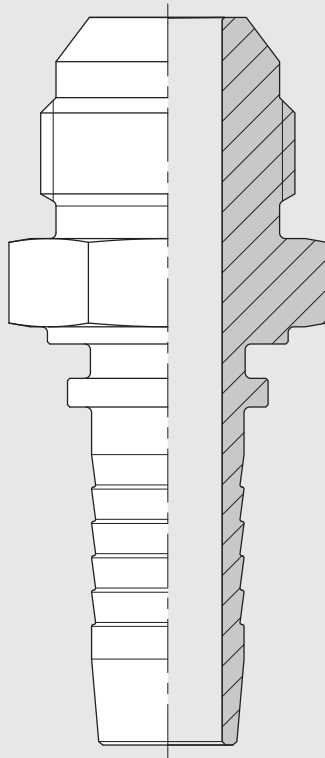


Hose size			d2 BSP	dx	lx	lg	l1	SW	Order-No.	Designation
DN	Inch	Dash								
6	1/4	-04	G 1/4	4	23.5	51.5	13	19	7000319600	HF/GP-SDS-G1/4A-DN06
10	3/8	-06	G 3/8	7	26.5	56	14	22	7000319700	HF/GP-SDS-G3/8A-DN10
10	3/8	-06	G 1/2	7	31.5	61	16	27	7000319800	HF/GP-SDS-G1/2A-DN10
12	1/2	-08	G 1/2	9.5	32.5	62	17	27	7000319900	HF/GP-SDS-G1/2A-DN12
19	3/4	-12	G 3/4	15	35	74	18.5	32	7000320000	HF/GP-SDS-G3/4A-DN19

Can also be used as threaded stud in accordance with DIN 3852-2 Form A.



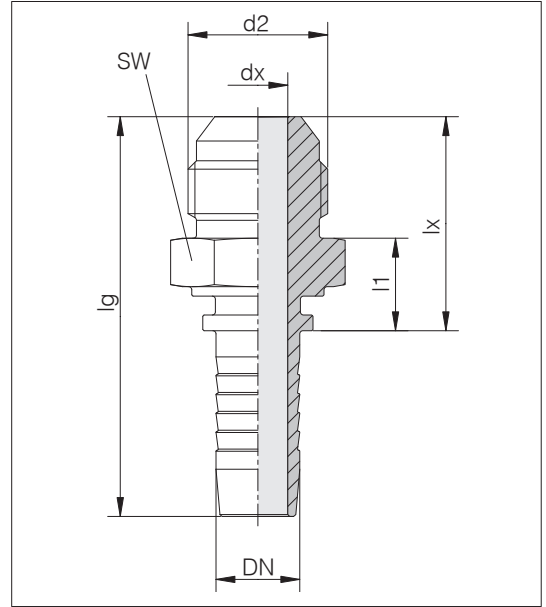
Hose fittings with UN/UNF thread



AGJ

Hose fittings with UN/UNF thread and 37° taper (JIC)

ISO 12151-5 (ISO 8434-2)



Hose size DN	Inch	Dash	d2 UN/UNF	lg	dx	lx	l1	SW	Order-No.	Designation
6	1/4	-04	7/16-20 UNF	53.5	4	25.5	11.5	14	7000313800	HF/37-S-6-DN06
6	1/4	-04	1/2-20 UNF	54	4	26	12	17	7000313900	HF/37-S-8-DN06
6	1/4	-04	9/16 - 18 UNF	53.5	4	25.5	11.5	17	7000314100	HF/37-S-10-DN06
8	5/16	-05	1/2-20 UNF	53.5	5.5	25.5	11.5	14	7000314000	HF/37-S-8-DN08
8	5/16	-05	9/16 - 18 UNF	53.5	5.5	25.5	11.5	19	7000314200	HF/37-S-10-DN08
10	3/8	-06	1/2-20 UNF	55.5	7	26	12	19	7002129000	HF/37-S-8-DN10
10	3/8	-06	9/16 - 18 UNF	55.5	7	26	12	19	7000314300	HF/37-S-10-DN10
10	3/8	-06	3/4-16 UNF	59	7	29.5	13	22	7000314400	HF/37-S-12-DN10
10	3/8	-06	7/8-14 UNF	62.5	7	33	14	24	7000314600	HF/37-S-16-DN10
12	1/2	-08	3/4-16 UNF	60	9.5	30.5	14	22	7000314500	HF/37-S-12-DN12
12	1/2	-08	7/8-14 UNF	63.5	9.5	34	14.5	24	7000314700	HF/37-S-16-DN12
12	1/2	-08	1 1/16-12 UN	67.5	9.5	38	16	27	7000314900	HF/37-S-20-DN12
16	5/8	-10	3/4-16 UNF	65.5	12.5	31.5	15	24	7002129700	HF/37-S-12-DN16
16	5/8	-10	7/8-14 UNF	68	12.5	34	14.5	24	7000314800	HF/37-S-16-DN16
16	5/8	-10	1 1/16-12 UN	72	12.5	38	16	32	7000315000	HF/37-S-20-DN16
19	3/4	-12	7/8-14 UNF	76.5	15	37.5	18	27	7002130200	HF/37-S-16-DN19
19	3/4	-12	1 1/16-12 UN	79	15	40	18	27	7000315100	HF/37-S-20-DN19
19	3/4	-12	1 3/16 - 12 UN	79.5	15	40.5	18	32	7002130800	HF/37-S-22-DN19
19	3/4	-12	1 5/16-12 UN	80	15	41	18	34	7000315300	HF/37-S-25-DN19
25	1	-16	1 1/16-12 UN	87	15	40	18	32	7000315200	HF/37-S-20-DN25
25	1	-16	1 5/16-12 UN	88.5	19.5	41.5	18.5	36	7000315400	HF/37-S-25-DN25
25	1	-16	1 5/8-12 UN	90	19.5	43	18.5	42	7000315500	HF/37-S-30-DN25
31	1 1/4	-20	1 5/8-12 UN	100.5	26	46	21.5	46	7000315600	HF/37-S-30-DN31
31	1 1/4	-20	1 7/8-12 UN	105	26	50.5	23	50	7000315700	HF/37-S-38-DN31 ²⁾
38	1 1/2	-24	1 7/8-12 UN	109	32	51	23.5	50	7000315800	HF/37-S-38-DN38 ²⁾
38	1 1/2	-24	2 1/2-12 UN	118.5	32	60.5	26.5	65	7002131600	HF/37-S-50-DN38

²⁾ Special sizes only on request

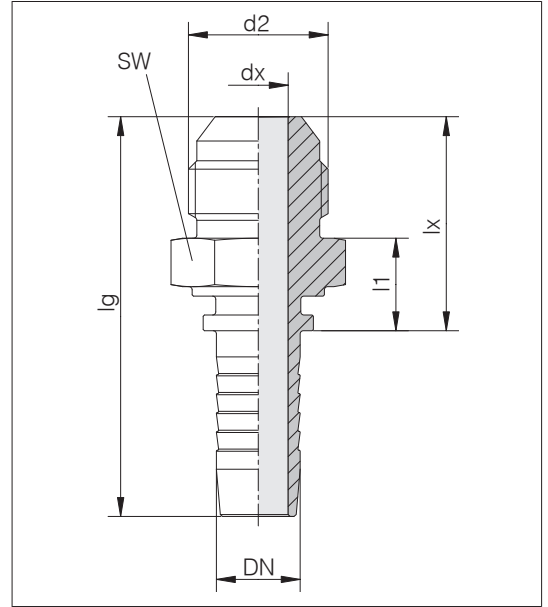
Continued on following page



AGJ

Hose fittings with UN/UNF thread and 37° taper (JIC)

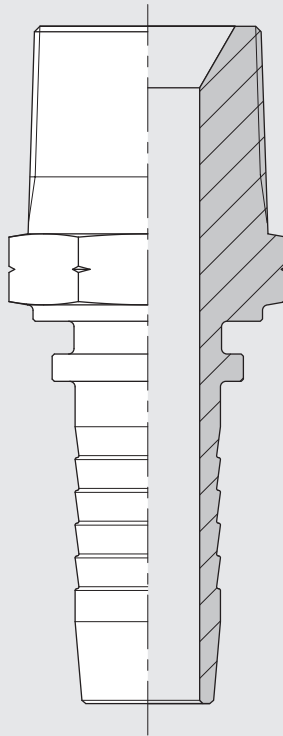
ISO 12151-5 (ISO 8434-2)



Hose size		Dash	d2 UN/UNF	lg	dx	lx	l1	SW	Order-No.	Designation
DN	Inch									
51	2	-32	2 1/2-12 UN	133.5	42	61	27	65	7000315900	HF/37-S-50-DN51 ²⁾

²⁾ Special sizes only on request

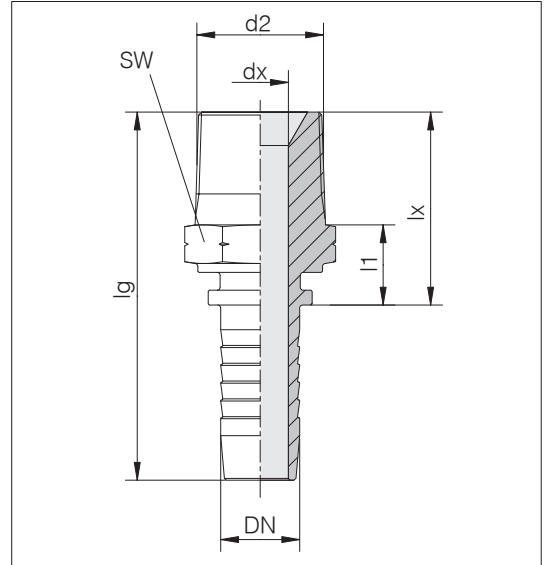
Hose fittings with NPTF thread



AGN

Hose fittings with NPTF thread, tapered

SAE J 516

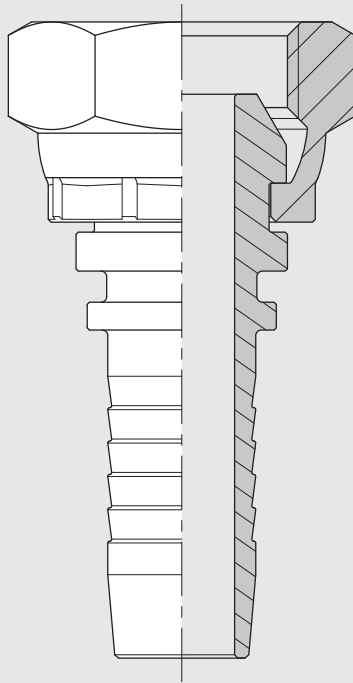


Hose size		Dash	d2 NPTF	dx	lg	lx	l1	SW	Order-No.	Designation
DN	Inch									
5	3/16	-03	1/8 NPTF	3	44	22	12	12	7000320100	HF/GP-SDS-NF1/8T-DN05
5	3/16	-03	1/4 NPTF	3	47.5	25.5	12	14	7002119200	HF/GP-SDS-NF1/4T-DN05
6	1/4	-04	1/8 NPTF	4	50	22	12	12	7000320200	HF/GP-SDS-NF1/8T-DN06
6	1/4	-04	1/4 NPTF	4	53.5	25.5	12	14	7000320300	HF/GP-SDS-NF1/4T-DN06
6	1/4	-04	3/8 NPTF	4	54	26	12	19	7000320500	HF/GP-SDS-NF3/8T-DN06
8	5/16	-05	3/8 NPTF	5.5	54	26	12	19	7000320600	HF/GP-SDS-NF3/8T-DN08
10	3/8	-06	1/4 NPTF	7	55	25.5	12	16	7000320400	HF/GP-SDS-NF1/4T-DN10
10	3/8	-06	3/8 NPTF	7	56.5	27	13	19	7000320700	HF/GP-SDS-NF3/8T-DN10
10	3/8	-06	1/2 NPTF	7	61	31.5	13	22	7000320900	HF/GP-SDS-NF1/2T-DN10
12	1/2	-08	3/8 NPTF	9.5	57.5	28	14	19	7000320800	HF/GP-SDS-NF3/8T-DN12
12	1/2	-08	3/4 NPTF	9.5	64.5	35	16	27	7000321200	HF/GP-SDS-NF3/4T-DN12
12	1/2	-08	1/2 NPTF	9.5	62	32.5	13.5	22	7000321000	HF/GP-SDS-NF1/2T-DN12
16	5/8	-10	3/4 NPTF	12.5	69	35	16	27	7002120400	HF/GP-SDS-NF3/4T-DN16
16	5/8	-10	1/2 NPTF	12.5	68	34	15	24	7000321100	HF/GP-SDS-NF1/2T-DN16
19	3/4	-12	3/4 NPTF	15	76.5	37.5	17.5	27	7000321300	HF/GP-SDS-NF3/4T-DN19
19	3/4	-12	1 NPTF	15	80.5	41.5	17.5	36	7000321400	HF/GP-SDS-NF1T-DN19
25	1	-16	3/4 NPTF	19.5	83.5	36.5	17.5	32	7002120700	HF/GP-SDS-NF3/4T-DN25
25	1	-16	1 NPTF	19.5	88.5	41.5	17.5	36	7000321500	HF/GP-SDS-NF1T-DN25
25	1	-16	1 1/4 NPTF	19.5	91.5	44.5	18.5	46	7000321600	HF/GP-SDS-NF1 1/4T-DN25 ²⁾
31	1 1/4	-20	1 1/4 NPTF	26	101	46.5	20.5	46	7000321700	HF/GP-SDS-NF1 1/4T-DN31
38	1 1/2	-24	1 1/2 NPTF	32	105.5	47.5	20.5	50	7000321800	HF/GP-SDS-NF1 1/2T-DN38
51	2	-32	2 NPTF	42	127.5	55	24	65	7000321900	HF/GP-SDS-NF2T-DN51

²⁾ Special sizes only on request



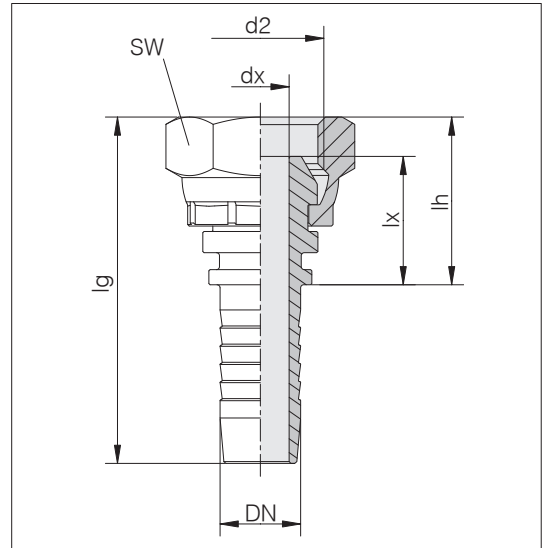
Hose fittings with BSP thread and 60° taper



DKR

Hose fittings with BSP thread and 60° taper

ISO 12151-6 (ISO 8434-6)



Hose size			d2 BSP	dx	lg	lx	lh	SW	Order-No.	Designation
DN	Inch	Dash								
5	3/16	-03	G 1/8	3	41.5	15.5	19.5	14	7000276800	HF/60-SWS-5-DN05 ³⁾
5	3/16	-03	G 1/4	3	42.5	15.5	20.5	19	7000277000	HF/60-SWS-8-DN05
6	1/4	-04	G 1/8	3	47.5	15.5	19.5	14	7000276900	HF/60-SWS-5-DN06 ³⁾
6	1/4	-04	G 1/4	4	49.5	16.5	21.5	19	7000277100	HF/60-SWS-8-DN06
6	1/4	-04	G 3/8	4	53	19	25	22	7000277300	HF/60-SWS-10-DN06
6	1/4	-04	G 1/2	4	53.5	20	25.5	27	7002132500	HF/60-SWS-12-DN06
8	5/16	-05	G 1/4	5.5	50	16.5	22	19	7000277200	HF/60-SWS-8-DN08 ³⁾
8	5/16	-05	G 3/8	5.5	53	19	25	22	7000277400	HF/60-SWS-10-DN08
10	3/8	-06	G 1/4	7	52.5	17.5	23	19	7002132400	HF/60-SWS-8-DN10 ³⁾
10	3/8	-06	G 3/8	7	54.5	19	25	22	7000277500	HF/60-SWS-10-DN10
10	3/8	-06	G 1/2	7	56.5	20.5	27	27	7000277700	HF/60-SWS-12-DN10
12	1/2	-08	G 3/8	7	54	18.5	24.5	22	7000277600	HF/60-SWS-10-DN12 ³⁾
12	1/2	-08	G 1/2	9.5	57.5	21.5	28	27	7000277800	HF/60-SWS-12-DN12
12	1/2	-08	G 3/4	9.5	60.5	22	31.5	32	7000278100	HF/60-SWS-20-DN12 ³⁾
12	1/2	-08	G 5/8	9.5	59	20	29.5	30	7000277900	HF/60-SWS-16-DN12 ³⁾
16	5/8	-10	G 1/2	9.5	64	24	30	27	7004132400	HF/60-SWS-12-DN16
16	5/8	-10	G 3/4	12.5	65.5	22.5	32	32	7000278200	HF/60-SWS-20-DN16 ³⁾
16	5/8	-10	G 5/8	12.5	64	20	29.5	30	7000278000	HF/60-SWS-16-DN16 ³⁾
19	3/4	-12	G 3/4	15	73	24.5	34	32	7000278300	HF/60-SWS-20-DN19 ³⁾
19	3/4	-12	G 1	15	78.5	28.5	39.5	38	7000278400	HF/60-SWS-25-DN19 ³⁾
25	1	-16	G 1	19.5	86.5	28.5	39.5	38	7000278500	HF/60-SWS-25-DN25 ³⁾

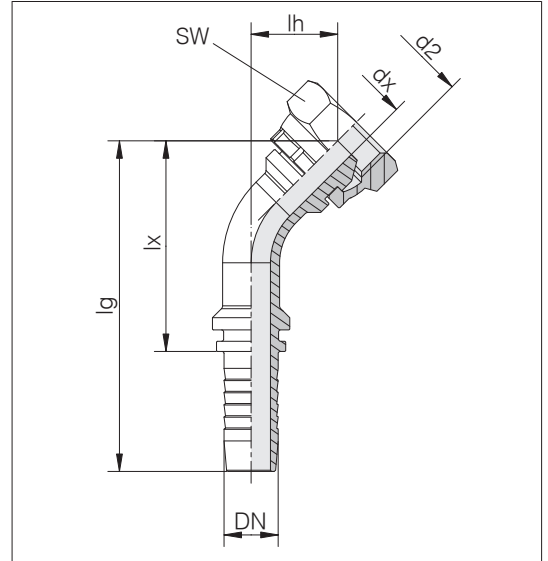
³⁾ Crimped union nuts



DKR 45

Hose fittings with BSP thread and 60° taper

ISO 12151-6 (ISO 8434-6)



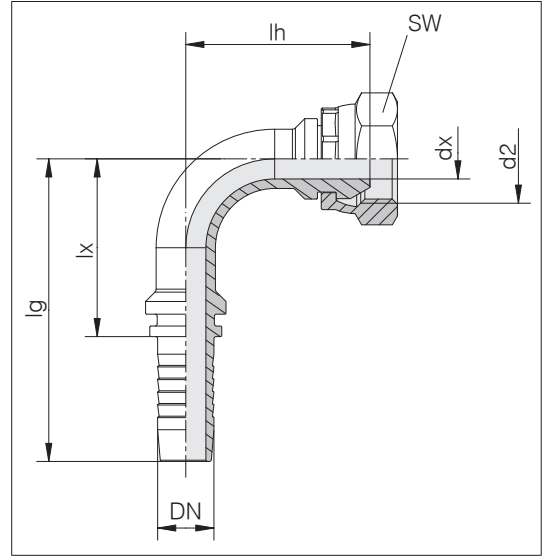
Hose size		Dash	d2 BSP	dx	lg	lx	lh	SW	Order-No.	Designation
DN	Inch									
5	3/16	-03	G 1/8	3	54	32	14	14	7000280100	HF/60-SWE45-5-DN05 ³⁾
6	1/4	-04	G 1/8	3	62.5	34.5	14	14	7000280200	HF/60-SWE45-5-DN06 ³⁾
6	1/4	-04	G 1/4	4	60.5	32.5	12.5	19	7000280300	HF/60-SWE45-8-DN06
6	1/4	-04	G 3/8	4	62	34	14	22	7000280400	HF/60-SWE45-10-DN06
8	5/16	-05	G 1/4	5.5	65	37	16.5	19	7002132900	HF/60-SWE45-8-DN08 ³⁾
8	5/16	-05	G 3/8	5.5	64	36	14.5	22	7000280500	HF/60-SWE45-10-DN08
10	3/8	-06	G 3/8	7	69.5	40	16.5	22	7000280600	HF/60-SWE45-10-DN10
10	3/8	-06	G 1/2	7	70.5	41	17.5	27	7000280700	HF/60-SWE45-12-DN10
12	1/2	-08	G 1/2	9.5	78.5	49	18	27	7000280800	HF/60-SWE45-12-DN12
12	1/2	-08	G 3/4	9.5	83.5	54	23.5	32	7000281100	HF/60-SWE45-20-DN12 ³⁾
12	1/2	-08	G 5/8	9.5	80.5	51	20.5	30	7000280900	HF/60-SWE45-16-DN12 ³⁾
16	5/8	-10	G 3/4	12.5	98	64	27	32	7000281200	HF/60-SWE45-20-DN16 ³⁾
16	5/8	-10	G 5/8	12.5	96	62	24.5	30	7000281000	HF/60-SWE45-16-DN16 ³⁾
19	3/4	-12	G 3/4	15	109	70	29.5	32	7000281300	HF/60-SWE45-20-DN19 ³⁾
19	3/4	-12	G 1	15	111	72	31.5	38	7000281400	HF/60-SWE45-25-DN19 ³⁾
25	1	-16	G 1	19.5	137	90	35	38	7000281500	HF/60-SWE45-25-DN25 ³⁾

³⁾ Crimped union nuts

DKR 90

Hose fittings with BSP thread and 60° taper

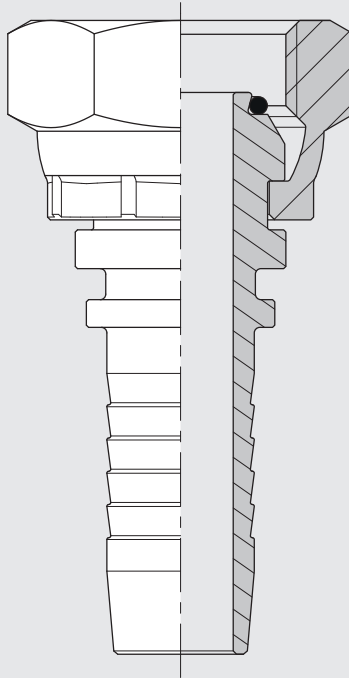
ISO 12151-6 (ISO 8434-6)



Hose size DN	Inch	Dash	d2 BSP	dx	lg	lx	lh	SW	Order-No.	Designation
5	3/16	-03	G 1/8	3	47.5	25.5	27.5	14	7000278600	HF/60-SWE-5-DN05 ³⁾
6	1/4	-04	G 1/8	3	57	29	27.5	14	7000278700	HF/60-SWE-5-DN06 ³⁾
6	1/4	-04	G 1/4	4	55	27	27	19	7000278800	HF/60-SWE-8-DN06
6	1/4	-04	G 3/8	4	55	27	29	22	7000278900	HF/60-SWE-10-DN06
8	5/16	-05	G 1/4	5.5	57.5	29.5	31.5	19	7002132600	HF/60-SWE-8-DN08 ³⁾
8	5/16	-05	G 3/8	5.5	58	30	29	22	7000279000	HF/60-SWE-10-DN08
10	3/8	-06	G 3/8	7	64	34.5	33	22	7000279100	HF/60-SWE-10-DN10
10	3/8	-06	G 1/2	7	64	34.5	34	27	7000279200	HF/60-SWE-12-DN10
12	1/2	-08	G 3/8	9.5	71.5	42	42.5	22	7002132700	HF/60-SWE-10-DN12 ³⁾
12	1/2	-08	G 1/2	9.5	69	39.5	41	27	7000279300	HF/60-SWE-12-DN12
12	1/2	-08	G 3/4	9.5	71.5	42	46.5	32	7000279600	HF/60-SWE-20-DN12 ³⁾
12	1/2	-08	G 5/8	9.5	71.5	42	42.5	30	7000279400	HF/60-SWE-16-DN12 ³⁾
16	5/8	-10	G 3/4	12.5	87	53	56	32	7000279700	HF/60-SWE-20-DN16 ³⁾
16	5/8	-10	G 5/8	12.5	87	53	52.5	30	7000279500	HF/60-SWE-16-DN16 ³⁾
19	3/4	-12	G 3/4	15	96	57	60	32	7000279800	HF/60-SWE-20-DN19 ³⁾
19	3/4	-12	G 1	15	99	60	62	38	7000279900	HF/60-SWE-25-DN19 ³⁾
25	1	-16	G 1	19.5	119	72	78	38	7000280000	HF/60-SWE-25-DN25 ³⁾

³⁾ Crimped union nuts

Hose fittings with BSP thread and 60° taper O-ring

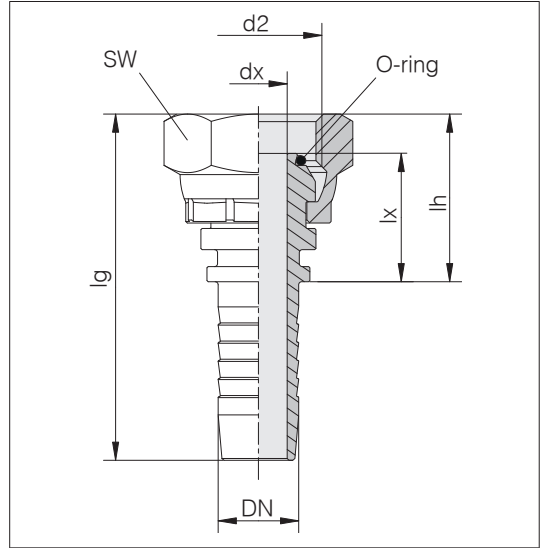


DKOR

Hose fittings with BSP thread and 60° taper O-Ring

ISO 12151-6 (ISO 8434-6)

Standard O-ring material is NBR



Hose size		Dash	d2 BSP	dx	lg	lx	lh	SW	O-ring	Order-No.	Designation
DN	Inch										
6	1/4	-04	G 1/4	4	49.5	16.5	21.5	19	6 x 1	7000281600	HF/60-SWOS-8-DN06
10	3/8	-06	G 3/8	7	54.5	19	25	22	8,1 x 1,6	7000281700	HF/60-SWOS-10-DN10
12	1/2	-08	G 1/2	9.5	57.5	21.5	28	27	12,1 x 1,6	7000281800	HF/60-SWOS-12-DN12
16	5/8	-10	G 5/8	12.5	64	20	29.5	30	13,1 x 1,6	7000281900	HF/60-SWOS-16-DN16 ^{2) 3)}
19	3/4	-12	G 3/4	15	73	24.5	34	32	17,1 x 1,6	7000282000	HF/60-SWOS-20-DN19 ³⁾
25	1	-16	G 1	19.5	86.5	28.5	38.5	38	22,1 x 1,6	7000282100	HF/60-SWOS-25-DN25 ³⁾
25	1	-16	G 1 1/4	19.5	88	31	41	50	29,1 x 1,6	7000282200	HF/60-SWOS-32-DN25
31	1 1/4	-20	G 1 1/4	26	97.5	32.5	43	50	29,1 x 1,6	7000282300	HF/60-SWOS-32-DN31 ³⁾
31	1 1/4	-20	G 1 1/2	26	101	34	46.5	55	35,1 x 1,6	7000282400	HF/60-SWOS-38-DN31 ^{2) 3)}
38	1 1/2	-24	G 1 1/2	32	104.5	34	46.5	55	35,1 x 1,6	7000282500	HF/60-SWOS-38-DN38 ³⁾
38	1 1/2	-24	G 2	32	113	39	55	70	48,1 x 1,6	7000282600	HF/60-SWOS-50-DN38 ^{2) 3)}
51	2	-32	G 2	42	126	37.5	53.5	70	48,1 x 1,6	7000282700	HF/60-SWOS-50-DN51 ³⁾

³⁾ Crimped union nuts

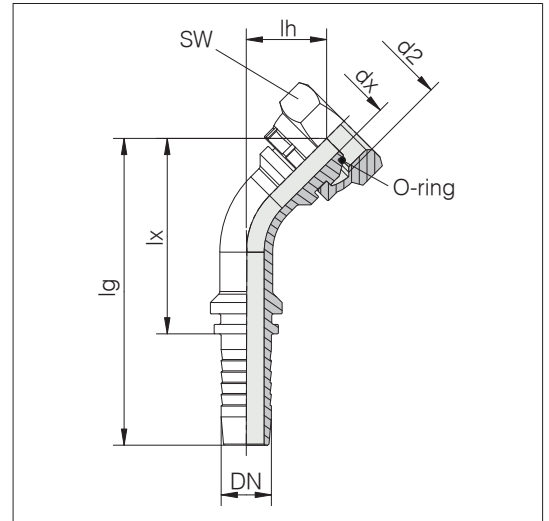
²⁾ Special sizes only on request

DKOR 45

Hose fittings with BSP thread and 60° taper O-Ring

ISO 12151-6 (ISO 8434-6)

Standard O-ring material is NBR



Hose size		Dash	d2 BSP	dx	lg	lx	lh	SW	O-ring	Order-No.	Designation
DN	Inch										
6	1/4	-04	G 1/4	4	60.5	32.5	12.5	19	6 x 1	7000283900	HF/60-SWOE45-8-DN06
10	3/8	-06	G 3/8	7	69.5	40	16.5	22	8,1 x 1,6	7000284000	HF/60-SWOE45-10-DN10
12	1/2	-08	G 1/2	9.5	78.5	49	17.5	27	12,1 x 1,6	7000284100	HF/60-SWOE45-12-DN12
16	5/8	-10	G 5/8	12.5	96	62	24.5	30	13,1 x 1,6	7000284200	HF/60-SWOE45-16-DN16 ²⁽³⁾
19	3/4	-12	G 3/4	15	108	69	28.5	32	17,1 x 1,6	7000284300	HF/60-SWOE45-20-DN19 ²⁽³⁾
25	1	-16	G 1	19.5	137	90	35	38	22,1 x 1,6	7000284400	HF/60-SWOE45-25-DN25 ²⁽³⁾
25	1	-16	G 1 1/4	19.5	134.5	87.5	32	50	29,1 x 1,6	7000284500	HF/60-SWOE45-32-DN25 ²⁾
31	1 1/4	-20	G 1 1/4	26	165	110.5	45.5	50	29,1 x 1,6	7000284600	HF/60-SWOE45-32-DN31 ³⁾
31	1 1/4	-20	G 1 1/2	26	165	110.5	45	55	35,1 x 1,6	7000284700	HF/60-SWOE45-38-DN31 ²⁽³⁾
38	1 1/2	-24	G 1 1/2	32	187.5	129.5	49.5	55	35,1 x 1,6	7000284800	HF/60-SWOE45-38-DN38 ³⁾
38	1 1/2	-24	G 2	32	189.5	131.5	51.5	70	48,1 x 1,6	7000284900	HF/60-SWOE45-50-DN38 ²⁽³⁾
51	2	-32	G 2	42	231.5	159	67	70	48,1 x 1,6	7000285000	HF/60-SWOE45-50-DN51 ³⁾

³⁾ Crimped union nuts

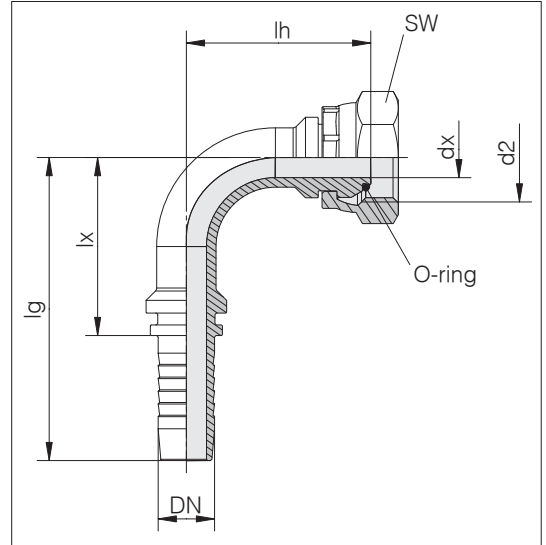
²⁾ Special sizes only on request

DKOR 90

Hose fittings with BSP thread and 60° taper O-Ring

ISO 12151-6 (ISO 8434-6)

Standard O-ring material is NBR

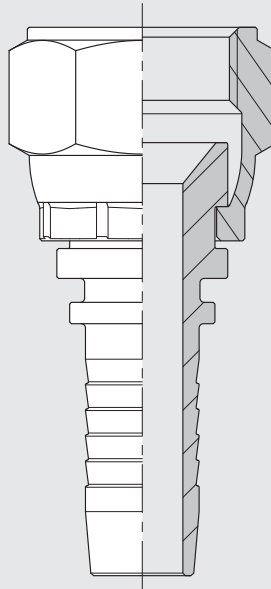


Hose size		Dash	d2 BSP	dx	lg	lx	lh	SW	O-ring	Order-No.	Designation
DN	Inch										
6	1/4	-04	G 1/4	4	55	27	27	19	6 x 1	7000282800	HF/60-SWOE-8-DN06
10	3/8	-06	G 3/8	7	64	34.5	33	22	8,1 x 1,6	7000282900	HF/60-SWOE-10-DN10
12	1/2	-08	G 1/2	9.5	72.5	43	38	27	12,1 x 1,6	7000283000	HF/60-SWOE-12-DN12
16	5/8	-10	G 5/8	12.5	87	53	52.5	30	13,1 x 1,6	7000283100	HF/60-SWOE-16-DN16 ²⁾ ³⁾
19	3/4	-12	G 3/4	15	99	60	58.5	32	17,1 x 1,6	7000283200	HF/60-SWOE-20-DN19 ³⁾
25	1	-16	G 1	19.5	126	79	74	38	22,1 x 1,6	7000283300	HF/60-SWOE-25-DN25 ³⁾
25	1	-16	G 1 1/4	19.5	127	80	69.5	50	29,1 x 1,6	7000283400	HF/60-SWOE-32-DN25 ²⁾
31	1 1/4	-20	G 1 1/4	26	150.5	96	92	50	29,1 x 1,6	7000283500	HF/60-SWOE-32-DN31 ³⁾
31	1 1/4	-20	G 1 1/2	26	150.5	96	91.5	55	35,1 x 1,6	7000283600	HF/60-SWOE-38-DN31 ²⁾ ³⁾
38	1 1/2	-24	G 1 1/2	32	175.5	117.5	105	55	35,1 x 1,6	7000283700	HF/60-SWOE-38-DN38 ³⁾
51	2	-32	G 2	42	216.5	144	135.5	70	48,1 x 1,6	7000283800	HF/60-SWOE-50-DN51 ³⁾

³⁾ Crimped union nuts

²⁾ Special sizes only on request

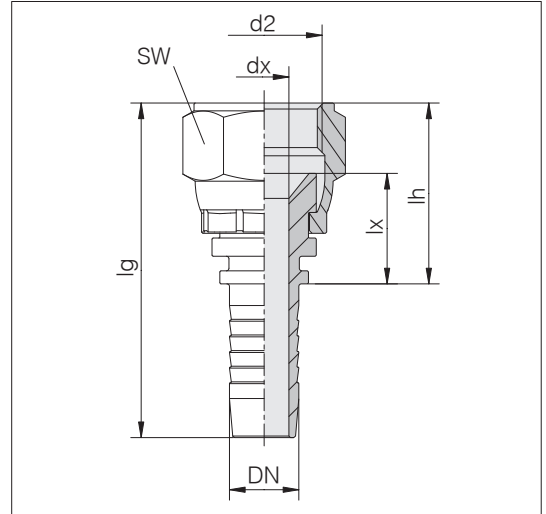
Hose fittings with UN/UNF thread and 37° cone



DKJ

Hose fittings with UN/UNF thread and 37° cone (JIC)

ISO 12151-5 (ISO 8434-2)



Hose size DN	Inch	Dash	d2 UN/UNF	dx	lg	lx	lh	SW	Order-No.	Designation
5	3/16	-03	7/16-20 UNF	3	45.5	14	23.5	14	7000285100	HF/37-SWS-6-DN05 ³⁾
6	1/4	-04	7/16-20 UNF	4	51.5	14	23.5	14	7000285200	HF/37-SWS-6-DN06 ³⁾
6	1/4	-04	1/2-20 UNF	4	52.5	15	24.5	17	7000285300	HF/37-SWS-8-DN06 ³⁾
6	1/4	-04	9/16 - 18 UNF	4	54.5	16.5	26.5	19	7000285500	HF/37-SWS-10-DN06 ³⁾
8	5/16	-05	1/2-20 UNF	5.5	52.5	15	24.5	17	7000285400	HF/37-SWS-8-DN08 ³⁾
8	5/16	-05	9/16 - 18 UNF	5.5	55	17	27	19	7000285600	HF/37-SWS-10-DN08 ³⁾
10	3/8	-06	9/16 - 18 UNF	7	56	16.5	26.5	19	7000285700	HF/37-SWS-10-DN10 ³⁾
10	3/8	-06	3/4-16 UNF	7	60	19	30.5	24	7000285800	HF/37-SWS-12-DN10 ³⁾
10	3/8	-06	7/8-14 UNF	7	63	20	33.5	27	7000286000	HF/37-SWS-16-DN10 ³⁾
12	1/2	-08	3/4-16 UNF	9.5	59.5	18.5	30	24	7000285900	HF/37-SWS-12-DN12 ³⁾
12	1/2	-08	7/8-14 UNF	9.5	64.5	21	35	27	7000286100	HF/37-SWS-16-DN12 ³⁾
12	1/2	-08	1 1/16-12 UN	9.5	67	21.5	37.5	32	7000286300	HF/37-SWS-20-DN12 ³⁾
16	5/8	-10	3/4-16 UNF	12.5	64.5	20	31.5	24	7002212900	HF/37-SWS-12-DN16 ³⁾
16	5/8	-10	7/8-14 UNF	12.5	67.5	19.5	33.5	27	7000286200	HF/37-SWS-16-DN16 ³⁾
16	5/8	-10	1 1/16-12 UN	12.5	72	22	38	32	7000286400	HF/37-SWS-20-DN16 ³⁾
19	3/4	-12	3/4-16 UNF	15	72.5	22	33.5	24	7002213000	HF/37-SWS-12-DN19 ³⁾
19	3/4	-12	7/8-14 UNF	15	75.5	23.5	36.5	27	7002213100	HF/37-SWS-16-DN19 ³⁾
19	3/4	-12	1 1/16-12 UN	15	79	24	40	32	7000286500	HF/37-SWS-20-DN19 ³⁾
19	3/4	-12	1 3/16 - 12 UN	15	80.5	25	41.5	36	7002251300	HF/37-SWS-22-DN19 ³⁾
19	3/4	-12	1 5/16-12 UN	15	81	25	42	41	7000286700	HF/37-SWS-25-DN19 ³⁾
25	1	-16	1 1/16-12 UN	15	87	24	40	32	7000286600	HF/37-SWS-20-DN25 ³⁾
25	1	-16	1 5/16-12 UN	19.5	89	25	42	41	7000286800	HF/37-SWS-25-DN25 ³⁾
25	1	-16	1 5/8-12 UN	19.5	90.5	27	43.5	50	7000286900	HF/37-SWS-30-DN25 ³⁾
31	1 1/4	-20	1 5/8-12 UN	26	98.5	27.5	44	50	7000287000	HF/37-SWS-30-DN31 ³⁾
31	1 1/4	-20	1 7/8-12 UN	26	103.5	29.5	49	60	7000287100	HF/37-SWS-38-DN31 ³⁾
38	1 1/2	-24	1 7/8-12 UN	32	107	29.5	49	60	7000287200	HF/37-SWS-38-DN38 ³⁾
51	2	-32	2 1/2-12 UN	42	131.5	35.5	59	75	7002251400	HF/37-SWS-50-DN51 ³⁾

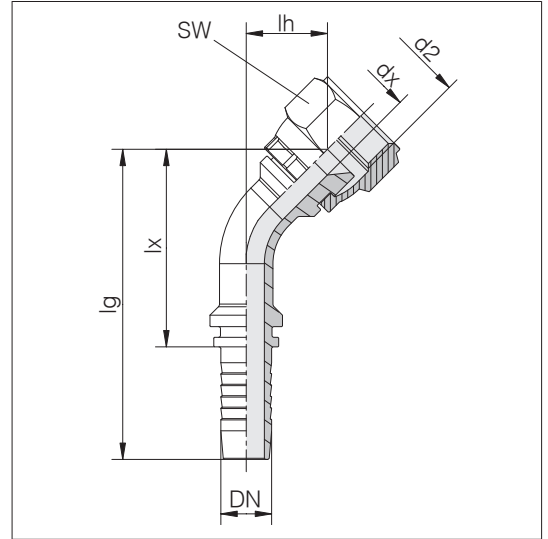
³⁾ Crimped union nuts



DKJ 45

Hose fittings with UN/UNF thread and 37° cone (JIC)

ISO 12151-5 (ISO 8434-2)



Hose size		Dash	d2 UN/UNF	dx	lg	lx	lh	SW	Order-No.	Designation
DN	Inch									
6	1/4	-04	7/16-20 UNF	4	61.5	33.5	12.5	14	7000289300	HF/37-SWE45-6-DN06 ³⁾
6	1/4	-04	1/2-20 UNF	4	62	34	13.5	17	7000289400	HF/37-SWE45-8-DN06 ³⁾
6	1/4	-04	9/16 - 18 UNF	4	62.5	34.5	14	19	7000289500	HF/37-SWE45-10-DN06 ³⁾
8	5/16	-05	9/16 - 18 UNF	5.5	64	36	15	19	7000289600	HF/37-SWE45-10-DN08 ³⁾
10	3/8	-06	9/16 - 18 UNF	7	70.5	41	17.5	19	7000289700	HF/37-SWE45-10-DN10 ³⁾
10	3/8	-06	3/4-16 UNF	7	72	42.5	19	24	7000289800	HF/37-SWE45-12-DN10 ³⁾
10	3/8	-06	7/8-14 UNF	7	72.5	43	19.5	27	7000290000	HF/37-SWE45-16-DN10 ³⁾
12	1/2	-08	3/4-16 UNF	9.5	80.5	51	20.5	24	7000289900	HF/37-SWE45-12-DN12 ³⁾
12	1/2	-08	7/8-14 UNF	9.5	81.5	52	21.5	27	7000290100	HF/37-SWE45-16-DN12 ³⁾
12	1/2	-08	1 1/16-12 UN	9.5	82.5	53	22.5	32	7000290300	HF/37-SWE45-20-DN12 ³⁾
16	5/8	-10	7/8-14 UNF	12.5	96.5	62.5	25.5	27	7000290200	HF/37-SWE45-16-DN16 ³⁾
16	5/8	-10	1 1/16-12 UN	12.5	97	63	26	32	7000290400	HF/37-SWE45-20-DN16 ³⁾
19	3/4	-12	1 1/16-12 UN	15	108	69	28.5	32	7000290500	HF/37-SWE45-20-DN19 ³⁾
19	3/4	-12	1 3/16 - 12 UN	15	108.5	69.5	29	36	7002251900	HF/37-SWE45-22-DN19 ^{2) 3)}
19	3/4	-12	1 5/16-12 UN	15	108.5	69.5	29	41	7000290600	HF/37-SWE45-25-DN19 ³⁾
25	1	-16	1 5/16-12 UN	19.5	134.5	87.5	32.5	41	7000290700	HF/37-SWE45-25-DN25 ³⁾
25	1	-16	1 5/8-12 UN	19.5	135.5	88.5	34	50	7000290800	HF/37-SWE45-30-DN25 ³⁾
31	1 1/4	-20	1 5/8-12 UN	26	161	106.5	41	50	7000290900	HF/37-SWE45-30-DN31 ³⁾
31	1 1/4	-20	1 7/8-12 UN	26	162	107.5	42	60	7000291000	HF/37-SWE45-38-DN31 ^{2) 3)}
38	1 1/2	-24	1 7/8-12 UN	32	184.5	126.5	46.5	60	7000291100	HF/37-SWE45-38-DN38 ³⁾
51	2	-32	2 1/2-12 UN	42	231	158.5	67	75	7000291200	HF/37-SWE45-50-DN51 ³⁾

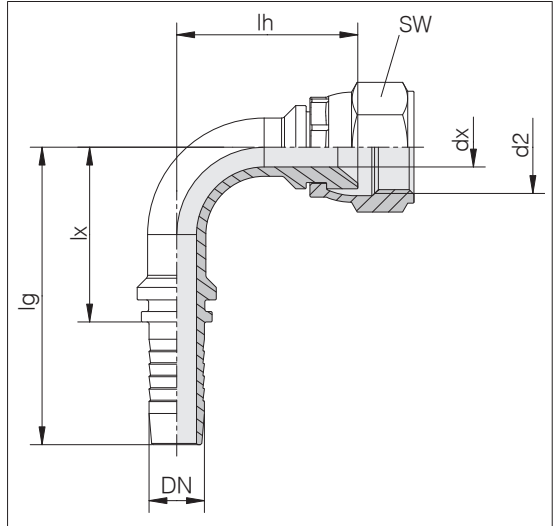
³⁾ Crimped union nuts

²⁾ Special sizes only on request

DKJ 90

Hose fittings with UN/UNF thread and 37° cone (JIC)

ISO 12151-5 (ISO 8434-2)



Hose size DN	Inch	Dash	d2 UN/UNF	dx	lg	lx	lh	SW	Order-No.	Designation
5	3/16	-03	7/16-20 UNF	3	47.5	25.5	26	14	7000287300	HF/37-SWE-6-DN05 ²⁾ ³⁾
6	1/4	-04	7/16-20 UNF	4	57	29	26	14	7000287400	HF/37-SWE-6-DN06 ³⁾
6	1/4	-04	1/2-20 UNF	4	57	29	27	17	7000287500	HF/37-SWE-8-DN06 ³⁾
6	1/4	-04	9/16 - 18 UNF	4	57	29	28	19	7000287600	HF/37-SWE-10-DN06 ³⁾
8	5/16	-05	9/16 - 18 UNF	5.5	57.5	29.5	30.5	19	7000287700	HF/37-SWE-10-DN08 ³⁾
10	3/8	-06	9/16 - 18 UNF	7	63	33.5	35	19	7000287800	HF/37-SWE-10-DN10 ³⁾
10	3/8	-06	3/4-16 UNF	7	63	33.5	37	24	7000287900	HF/37-SWE-12-DN10 ³⁾
10	3/8	-06	7/8-14 UNF	7	63	33.5	38	27	7000288100	HF/37-SWE-16-DN10 ³⁾
12	1/2	-08	3/4-16 UNF	9.5	71.5	42	42.5	24	7000288000	HF/37-SWE-12-DN12 ³⁾
12	1/2	-08	7/8-14 UNF	9.5	71.5	42	43.5	27	7000288200	HF/37-SWE-16-DN12 ³⁾
12	1/2	-08	1 1/16-12 UN	9.5	71.5	42	45	32	7000288400	HF/37-SWE-20-DN12 ³⁾
16	5/8	-10	7/8-14 UNF	12.5	87	53	54	27	7000288300	HF/37-SWE-16-DN16 ³⁾
16	5/8	-10	1 1/16-12 UN	12.5	87	53	54.5	32	7000288500	HF/37-SWE-20-DN16 ³⁾
19	3/4	-12	1 1/16-12 UN	15	97	58	56	32	7000288600	HF/37-SWE-20-DN19 ³⁾
19	3/4	-12	1 3/16 - 12 UN	15	99	60	58.5	36	7002251600	HF/37-SWE-22-DN19 ²⁾ ³⁾
19	3/4	-12	1 5/16-12 UN	15	99	60	58.5	41	7000288700	HF/37-SWE-25-DN19 ³⁾
25	1	-16	1 5/16-12 UN	19.5	126	79	70.5	41	7000288800	HF/37-SWE-25-DN25 ³⁾
25	1	-16	1 5/8-12 UN	19.5	126	79	72.5	50	7000288900	HF/37-SWE-30-DN25 ³⁾
31	1 1/4	-20	1 5/8-12 UN	26	150.5	96	86	50	7000289000	HF/37-SWE-30-DN31 ³⁾
31	1 1/4	-20	1 7/8-12 UN	26	150.5	96	87	60	7000289100	HF/37-SWE-38-DN31 ²⁾ ³⁾
38	1 1/2	-24	1 7/8-12 UN	32	175.5	117.5	100.5	60	7000289200	HF/37-SWE-38-DN38 ³⁾
51	2	-32	2 1/2-12 UN	42	216.5	144	135	75	7002251700	HF/37-SWE-50-DN51 ³⁾

³⁾ Crimped union nuts

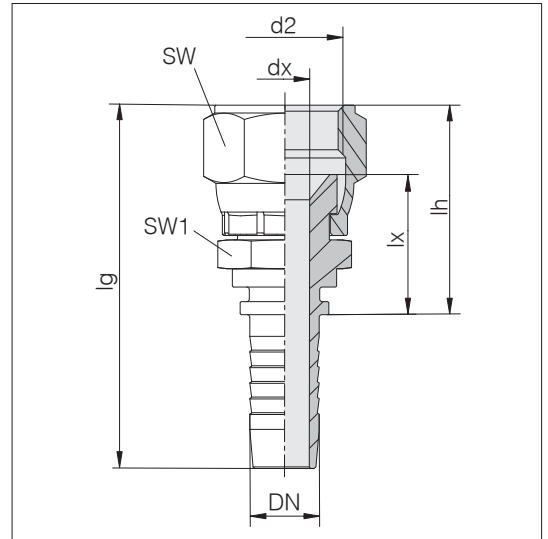
²⁾ Special sizes only on request



DKJ-WS

Hose fittings with UN/UNF thread and 37° cone (JIC)

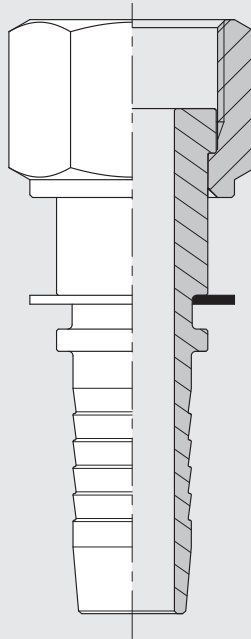
ISO 12151-5 (ISO 8434-2)



Hose size		Dash	d2 UN/UNF	dx	lg	lx	lh	SW	SW1	Order-No.	Designation
DN	Inch										
6	1/4	-04	7/16-20 UNF	4	57	19.5	29	14	14	7007048400	HF/37-SWS-6-DN06-WS14 ³⁾
6	1/4	-04	9/16 - 18 UNF	4	59.5	21.5	31.5	19	14	7007050800	HF/37-SWS-10-DN06-WS14 ³⁾
10	3/8	-06	3/4-16 UNF	7	66.5	25.5	37	24	19	7007049000	HF/37-SWS-12-DN10-WS19 ³⁾
10	3/8	-06	9/16 - 18 UNF	7	62	22.5	32.5	19	17	7007048700	HF/37-SWS-10-DN10-WS17 ³⁾
12	1/2	-08	3/4-16 UNF	9.5	68	27	38.5	24	22	7007049300	HF/37-SWS-12-DN12-WS22 ³⁾
12	1/2	-08	7/8-14 UNF	9.5	72	28.5	42.5	27	22	7007049600	HF/37-SWS-16-DN12-WS22 ³⁾
16	5/8	-10	7/8-14 UNF	12.5	76.5	28.5	42.5	27	24	7007049900	HF/37-SWS-16-DN16-WS24 ³⁾
19	3/4	-12	1 1/16-12 UN	15	85.5	30.5	46.5	32	27	7007050200	HF/37-SWS-20-DN19-WS27 ³⁾
25	1	-16	1 5/8-12 UN	19.5	98.5	34.5	51.5	41	36	7007050500	HF/37-SWS-25-DN25-WS36 ³⁾

³⁾ Crimped union nuts

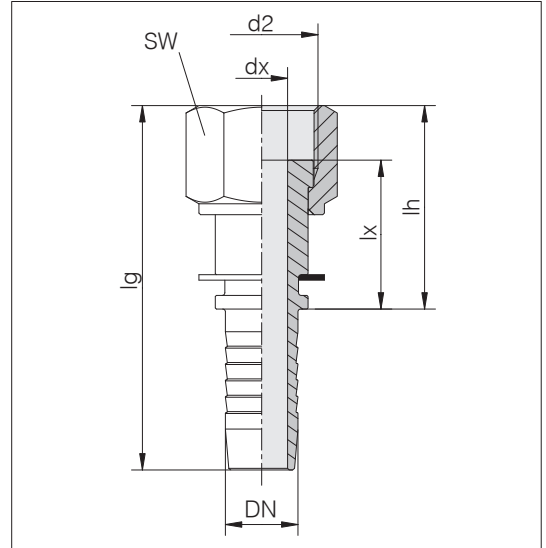
Hose fittings ORFS with UN/UNF thread



ORFS

Hose fittings with UN/UNF thread and face sealing (ORFS)

ISO 12151-1 (ISO 8434-3)

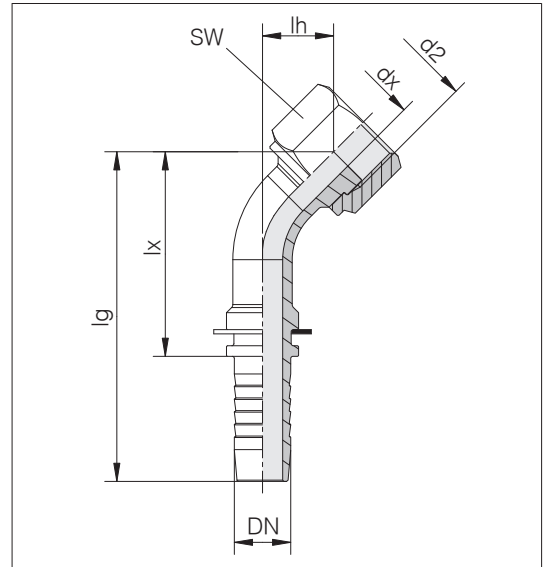


Hose size		Dash	d2 UN/UNF	dx	lg	lx	lh	SW	Order-No.	Designation
DN	Inch									
6	1/4	-04	9/16 - 18 UNF	4	57.5	21.5	29.5	17	7000291300	HF/90-SWS-6-DN06
6	1/4	-04	11/16 - 16 UN	4	60	23.5	32	22	7000291400	HF/90-SWS-10-DN06
8	5/16	-05	11/16 - 16 UN	5.5	60	23.5	32	22	7000291500	HF/90-SWS-10-DN08
10	3/8	-06	11/16 - 16 UN	7	61.5	23.5	32	22	7000291600	HF/90-SWS-10-DN10
10	3/8	-06	13/16 - 16 UN	7	66	26.5	36.5	24	7000291700	HF/90-SWS-12-DN10
12	1/2	-08	13/16 - 16 UN	9.5	67	27.5	37.5	24	7000291800	HF/90-SWS-12-DN12
12	1/2	-08	1 - 14 UNS	9.5	73.5	31.5	44	30	7000291900	HF/90-SWS-16-DN12
12	1/2	-08	1 3/16 - 12 UN	9.5	79	36	49.5	36	7000292100	HF/90-SWS-20-DN12
16	5/8	-10	1 - 14 UNS	12.5	78	31.5	44	30	7000292000	HF/90-SWS-16-DN16
16	5/8	-10	1 3/16 - 12 UN	12.5	81.5	34	47.5	36	7002251500	HF/90-SWS-22-DN16
19	3/4	-12	1 3/16 - 12 UN	15	88	35.5	49	36	7000292200	HF/90-SWS-20-DN19
19	3/4	-12	1 7/16 - 12 UN	15	91	38.5	52	41	7000292300	HF/90-SWS-25-DN19
25	1	-16	1 7/16 - 12 UN	19.5	97	36.5	50	41	7000292400	HF/90-SWS-25-DN25
31	1 1/4	-20	1 11/16 - 12 UN	26	106	38	51.5	50	7000292500	HF/90-SWS-30-DN31
38	1 1/2	-24	2 - 12 UN	32	109.5	38	51.5	60	7000292600	HF/90-SWS-38-DN38

ORFS 45

Hose fittings with UN/UNF thread and face sealing (ORFS)

ISO 12151-1 (ISO 8434-3)

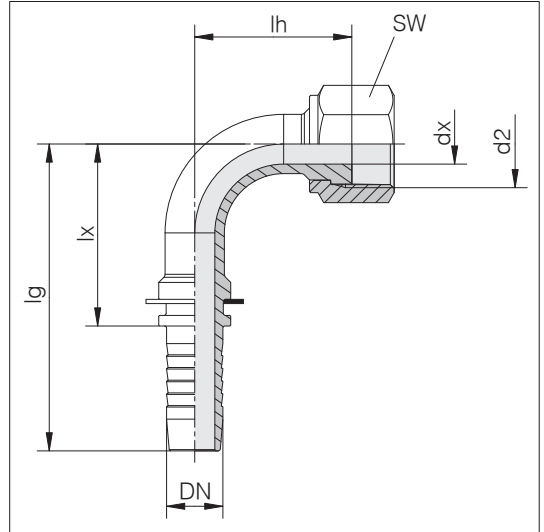


Hose size		Dash	d2 UN/UNF	dx	lg	lx	lh	SW	Order-No.	Designation
DN	Inch									
6	1/4	-04	9/16 - 18 UNF	4	60	32	13	17	7000294100	HF/90-SWE45-6-DN06
6	1/4	-04	11/16 - 16 UN	4	61	33	13.5	22	7000294200	HF/90-SWE45-10-DN06
10	3/8	-06	11/16 - 16 UN	7	69	39.5	16	22	7000294300	HF/90-SWE45-10-DN10
10	3/8	-06	13/16 - 16 UN	7	69.5	40	16.5	24	7000294400	HF/90-SWE45-12-DN10
12	1/2	-08	13/16 - 16 UN	9.5	77	47.5	17	24	7000294500	HF/90-SWE45-12-DN12
12	1/2	-08	1 - 14 UNS	9.5	80.5	51	19.5	30	7000294600	HF/90-SWE45-16-DN12
16	5/8	-10	1 - 14 UNS	12.5	93.5	59.5	22.5	30	7000294700	HF/90-SWE45-16-DN16
16	5/8	-10	1 3/16 - 12 UN	12.5	95.5	61.5	24	36	7002252000	HF/90-SWE45-22-DN16
19	3/4	-12	1 3/16 - 12 UN	15	104	65	25	36	7000294800	HF/90-SWE45-20-DN19
25	1	-16	1 7/16 - 12 UN	19.5	130.5	83.5	27.5	41	7000294900	HF/90-SWE45-25-DN25
31	1 1/4	-20	1 11/16 - 12 UN	26	155	100.5	34	50	7000295000	HF/90-SWE45-30-DN31
38	1 1/2	-24	2 - 12 UN	32	177	119	38	60	7000295100	HF/90-SWE45-38-DN38

ORFS 90

Hose fittings with UN/UNF thread and face sealing (ORFS)

ISO 12151-1 (ISO 8434-3)



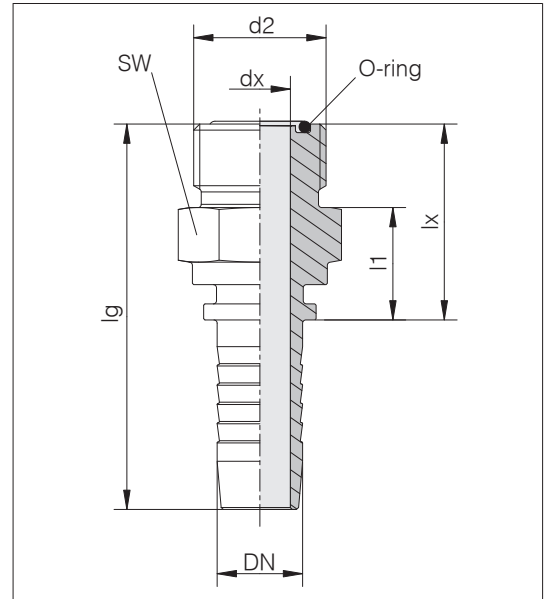
Hose size			d2	dx	lg	lx	lh	SW	Order-No.	Designation
DN	Inch	Dash	UN/UNF							
6	1/4	-04	9/16 - 18 UNF	4	55	27	27	17	7000292700	HF/90-SWE-6-DN06
6	1/4	-04	11/16 - 16 UN	4	55	27	28	22	7000292800	HF/90-SWE-10-DN06
8	5/16	-05	11/16 - 16 UN	5.5	58	30	28	22	7000292900	HF/90-SWE-10-DN08
10	3/8	-06	11/16 - 16 UN	7	64	34.5	32	22	7000293000	HF/90-SWE-10-DN10
10	3/8	-06	13/16 - 16 UN	7	64	34.5	33	24	7000293100	HF/90-SWE-12-DN10
12	1/2	-08	13/16 - 16 UN	9.5	72	42	37	24	7000293200	HF/90-SWE-12-DN12
12	1/2	-08	1 - 14 UNS	9.5	72.5	43	41	30	7000293300	HF/90-SWE-16-DN12
12	1/2	-08	1 3/16 - 12 UN	9.5	71.5	42	43.5	36	7000293500	HF/90-SWE-20-DN12
16	5/8	-10	1 - 14 UNS	12.5	88	54	47.5	30	7000293400	HF/90-SWE-16-DN16
16	5/8	-10	1 3/16 - 12 UN	12.5	88	54	50	36	7002251800	HF/90-SWE-22-DN16
19	3/4	-12	1 3/16 - 12 UN	15	99.5	60.5	52	36	7000293600	HF/90-SWE-20-DN19
19	3/4	-12	1 7/16 - 12 UN	15	98.5	59.5	56	41	7000293700	HF/90-SWE-25-DN19
25	1	-16	1 7/16 - 12 UN	19.5	125	78	66	41	7000293800	HF/90-SWE-25-DN25
31	1 1/4	-20	1 11/16 - 12 UN	26	151.5	97	76	50	7000293900	HF/90-SWE-30-DN31
38	1 1/2	-24	2 - 12 UN	32	176.5	118.5	89	60	7000294000	HF/90-SWE-38-DN38

AORFS

Hose fittings with UN/UNF thread and face sealing (ORFS)

ISO 12151-1 (ISO 8434-3)

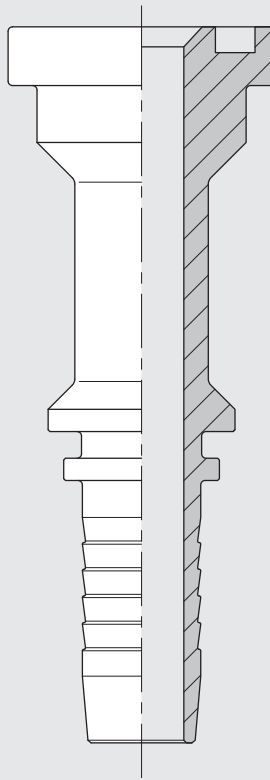
Standard O-ring material is NBR



Hose size			d2									
DN	Inch	Dash	UN/UNF	dx	lg	lx	SW	l1	O-ring	Order-No.	Designation	
6	1/4	-04	9/16 - 18 UNF	4	52.5	24.5	17	14.5	7,65 x 1,78	7000316000	HF/90-S-6-DN06	
6	1/4	-04	11/16 - 16 UN	4	54	26	19	15	9,25 x 1,78	7000316100	HF/90-S-10-DN06	
8	5/16	-05	11/16 - 16 UN	5.5	54	26	19	15	9,25 x 1,78	7000316200	HF/90-S-10-DN08	
10	3/8	-06	11/16 - 16 UN	6.5	56	26.5	19	15.5	9,25 x 1,78	7000316300	HF/90-S-10-DN10	
10	3/8	-06	13/16 - 16 UN	7	58.5	29	22	16	12,42 x 1,78	7002131900	HF/90-S-12-DN10	
12	1/2	-08	13/16 - 16 UN	9.5	60	30.5	22	17.5	12,42 x 1,78	7000316400	HF/90-S-12-DN12	
12	1/2	-08	1 - 14 UNS	9.5	63.5	34	27	18.5	15,60 x 1,78	7002132000	HF/90-S-16-DN12	
12	1/2	-08	1 3/16 - 12 UN	9.5	66.5	37	32	20	18,77 x 1,78	7002132100	HF/90-S-20-DN12	
16	5/8	-10	1 - 14 UNS	12.5	68	34	27	18.5	15,60 x 1,78	7000316500	HF/90-S-16-DN16	
16	5/8	-10	1 3/16 - 12 UN	12.5	71	37	32	20	18,77 x 1,78	7002132200	HF/90-S-22-DN16	
19	3/4	-12	1 3/16 - 12 UN	15	78	39	32	22	18,77 x 1,78	7000316600	HF/90-S-20-DN19	
19	3/4	-12	1 7/16 - 12 UN	15	82.5	43.5	41	26	23,52 x 1,78	7002132300	HF/90-S-25-DN19	
25	1	-16	1 7/16 - 12 UN	19.5	90.5	43.5	41	26	23,52 x 1,78	7000316700	HF/90-S-25-DN25	
31	1 1/4	-20	1 11/16 - 12 UN	26	101.5	47	46	29.5	29,87 x 1,78	7000316800	HF/90-S-30-DN31	
38	1 1/2	-24	2 - 12 UN	32	109	51	55	33.5	37,82 x 1,78	7000316900	HF/90-S-38-DN38	²⁾

²⁾ Special sizes only on request

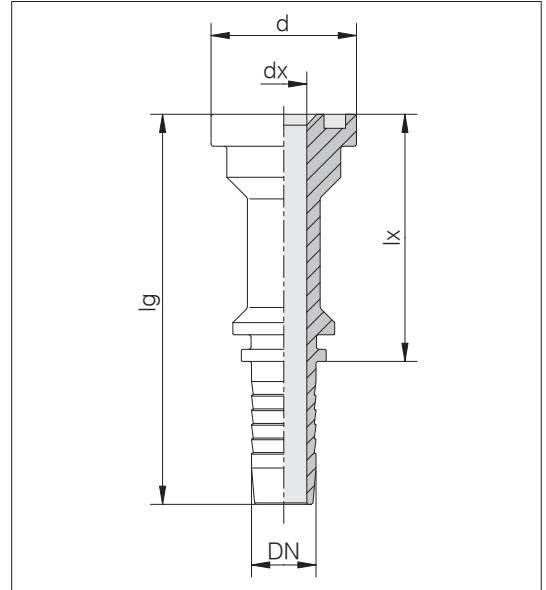
Hose fittings with SAE flange standard series (3000 psi)



FL3

Hose fittings with SAE flange
standard series (3000 psi)

ISO 12151-3 (ISO 6162-1)

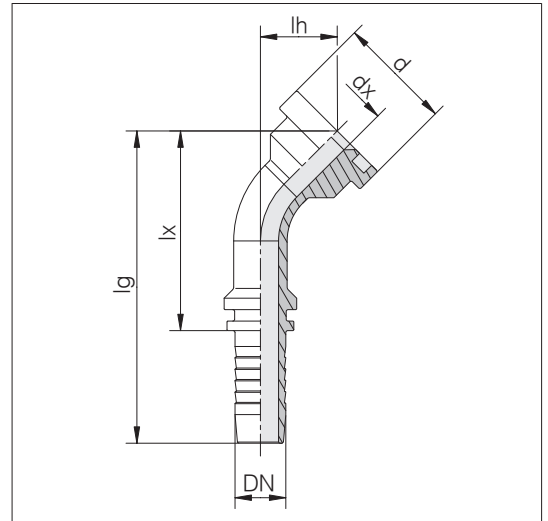


Fl. size Inch	Hose size			d	dx	lg	lx	Order-No.	Designation
	DN	Inch	Dash						
1/2	12	1/2	-08	30	9.5	80.5	51	7000058700	HF/F-S-DN12-3S1/2
3/4	12	1/2	-08	38	9.5	85.5	56	7000058800	HF/F-S-DN12-3S3/4
3/4	16	5/8	-10	38	12.5	90	56	7000059000	HF/F-S-DN16-3S3/4
3/4	19	3/4	-12	38	15	96.5	57.5	7000059200	HF/F-S-DN19-3S3/4
1	19	3/4	-12	44.5	15	99.5	60.5	7000059300	HF/F-S-DN19-3S1
1	25	1	-16	44.5	19.5	110.5	63.5	7000059500	HF/F-S-DN25-3S1
1 1/4	25	1	-16	50.8	19.5	113.5	66.5	7000059600	HF/F-S-DN25-3S11/4
1 1/4	31	1 1/4	-20	50.8	26	125.5	71	7000059800	HF/F-S-DN31-3S11/4
1 1/2	31	1 1/4	-20	60.3	26	128.5	74	7000059900	HF/F-S-DN31-3S11/2
1 1/2	38	1 1/2	-24	60.3	32	135	77	7000060000	HF/F-S-DN38-3S11/2
2	38	1 1/2	-24	71.4	32	138	80	7000060100	HF/F-S-DN38-3S2
2	51	2	-32	71.4	42	153	80.5	7000060200	HF/F-S-DN51-3S2
2 1/2	51	2	-32	84.1	42	156	83.5	7000060300	HF/F-S-DN51-3S21/2

FL3 45

Hose fittings with SAE flange
standard series (3000 psi)

ISO 12151-3 (ISO 6162-1)

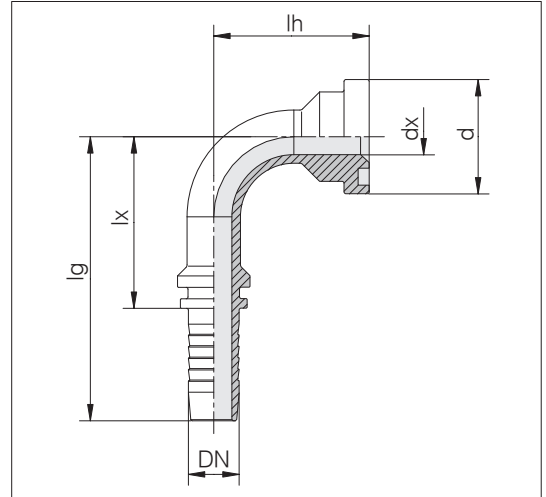


Fl. size Inch	Hose size			d	dx	lg	lx	lh	Order-No.	Designation
	DN	Inch	Dash							
1/2	12	1/2	-08	30	9.5	81	51.5	21	7000060400	HF/F-E45-DN12-3S1/2
3/4	12	1/2	-08	38	9.5	84.5	55	24.5	7000060500	HF/F-E45-DN12-3S3/4
3/4	16	5/8	-10	38	12.5	97.5	63.5	27.5	7000060700	HF/F-E45-DN16-3S3/4
3/4	19	3/4	-12	38	15	107.5	68.5	28	7000060900	HF/F-E45-DN19-3S3/4
1	19	3/4	-12	44.5	15	109.5	70.5	30	7000061000	HF/F-E45-DN19-3S1
1	25	1	-16	44.5	19.5	132	85	30.5	7000061300	HF/F-E45-DN25-3S1
1 1/4	25	1	-16	50.8	19.5	134	87	32	7000061200	HF/F-E45-DN25-3S11/4
1 1/4	31	1 1/4	-20	50.8	26	155.5	101	36	7000061500	HF/F-E45-DN31-3S11/4
1 1/2	31	1 1/4	-20	60.3	26	160	105.5	40	7000061600	HF/F-E45-DN31-3S11/2
1 1/2	38	1 1/2	-24	60.3	32	170	112	46	7000061700	HF/F-E45-DN38-3S11/2
2	38	1 1/2	-24	71.4	32	182	124	46	7000061800	HF/F-E45-DN38-3S2
2	51	2	-32	71.4	42	216.5	144	50	7000061900	HF/F-E45-DN51-3S2

FL3 90

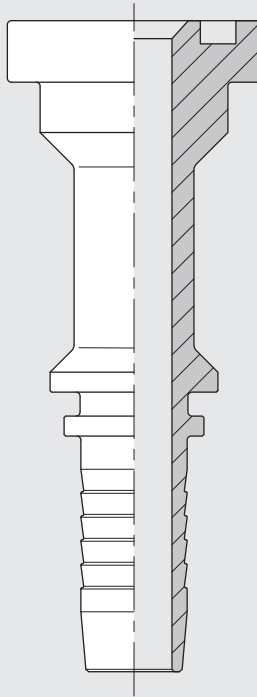
Hose fittings with SAE flange
standard series (3000 psi)

ISO 12151-3 (ISO 6162-1)



Fl. size Inch	Hose size			d	dx	lg	lx	lh	Order-No.	Designation
	DN	Inch	Dash							
1/2	12	1/2	-08	30	9.5	71.5	42	43.5	7000062100	HF/F-E-DN12-3S1/2
3/4	12	1/2	-08	38	9.5	71.5	42	48.5	7000062200	HF/F-E-DN12-3S3/4
3/4	16	5/8	-10	38	12.5	87	53	55	7000062400	HF/F-E-DN16-3S3/4
3/4	19	3/4	-12	38	15	99	60	57	7000062600	HF/F-E-DN19-3S3/4
1	19	3/4	-12	44.5	15	99	60	60	7000062700	HF/F-E-DN19-3S1
1	25	1	-16	44.5	19.5	125.5	78.5	67.5	7000062900	HF/F-E-DN25-3S1
1 1/4	25	1	-16	50.8	19.5	125.5	78.5	70	7000063000	HF/F-E-DN25-3S11/4
1 1/4	31	1 1/4	-20	50.8	26	150	95.5	79	7000063200	HF/F-E-DN31-3S11/4
1 1/2	31	1 1/4	-20	60.3	26	150.5	96	84.5	7000063300	HF/F-E-DN31-3S11/2
1 1/2	38	1 1/2	-24	60.3	32	169	111	99	7000063400	HF/F-E-DN38-3S11/2
2	38	1 1/2	-24	71.4	32	172	114	101	7000063500	HF/F-E-DN38-3S2
2	51	2	-32	71.4	42	216	143.5	115.5	7000063600	HF/F-E-DN51-3S2

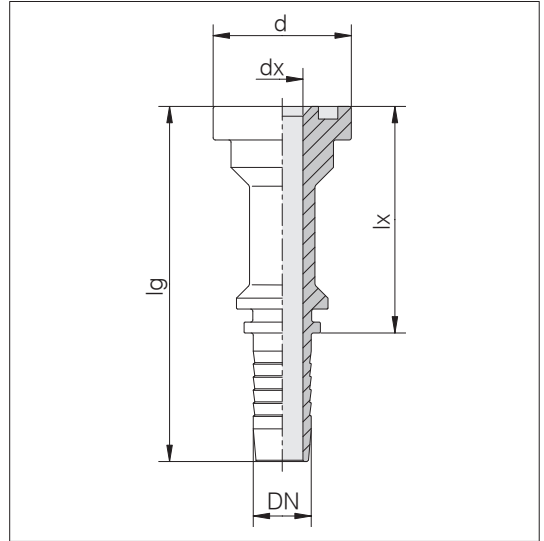
Hose fittings with SAE flange high pressure series (6000 psi)



FL6

Hose fittings with SAE flange
high pressure series (6000 psi)

ISO 12151-3 (ISO 6162-2)



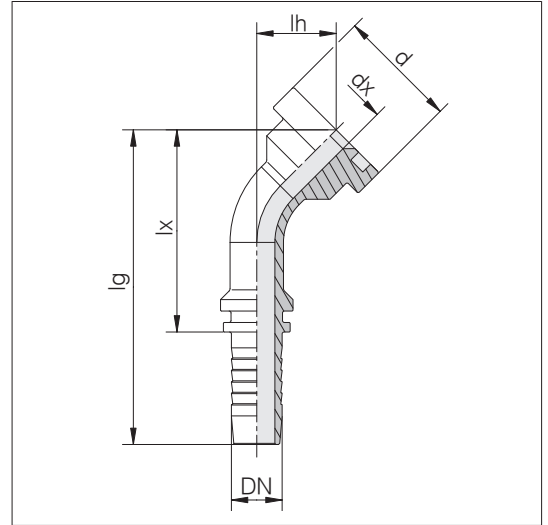
Fl. size Inch	Hose size			d	dx	lg	lx	Order-No.	Designation
	DN	Inch	Dash						
1/2	12	1/2	-08	31.7	9.5	81.5	52	7000069700	HF/F-S-DN12-6S1/2
3/4	12	1/2	-08	41.3	9.5	89.5	60	7000069800	HF/F-S-DN12-6S3/4
3/4	16	5/8	-10	41.3	12.5	97	63	7000070000	HF/F-S-DN16-6S3/4
3/4	19	3/4	-12	41.3	15	104.5	65.5	7000070200	HF/F-S-DN19-6S3/4
1	19	3/4	-12	47.6	15	109	70	7000070300	HF/F-S-DN19-6S1
1	25	1	-16	47.6	19.5	121.5	74.5	7000070500	HF/F-S-DN25-6S1
1 1/4	25	1	-16	54	19.5	126	79	7000070600	HF/F-S-DN25-6S11/4
1 1/4	31	1 1/4	-20	54	26	138	83.5	7000070800	HF/F-S-DN31-6S11/4
1 1/2	31	1 1/4	-20	63.5	26	142.5	88	7000070900	HF/F-S-DN31-6S11/2 ²⁾
1 1/2	38	1 1/2	-24	63.5	32	150.5	92.5	7000071000	HF/F-S-DN38-6S11/2
2	38	1 1/2	-24	79.4	32	155	97	7000071100	HF/F-S-DN38-6S2 ²⁾
2	51	2	-32	79.4	42	174	101.5	7000071200	HF/F-S-DN51-6S2 ²⁾

²⁾ Special sizes only on request

FL6 45

Hose fittings with SAE flange
high pressure series (6000 psi)

ISO 12151-3 (ISO 6162-2)



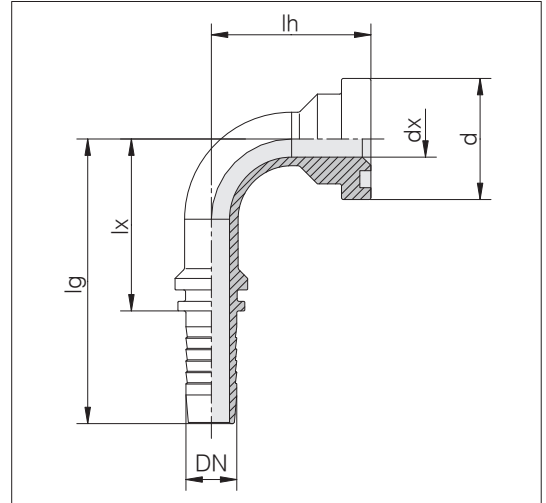
Fl. size Inch	Hose size			d	dx	lg	lx	lh	Order-No.	Designation
	DN	Inch	Dash							
1/2	12	1/2	-08	31.7	9.5	82	52.5	22	7000071300	HF/F-E45-DN12-6S1/2
3/4	12	1/2	-08	41.3	9.5	87.5	58	27.5	7000071400	HF/F-E45-DN12-6S3/4
3/4	16	5/8	-10	41.3	12.5	100.5	66.5	30.5	7000071600	HF/F-E45-DN16-6S3/4
3/4	19	3/4	-12	41.3	15	111.5	72.5	31	7000071800	HF/F-E45-DN19-6S3/4
1	19	3/4	-12	47.6	15	114.5	75.5	35	7000071900	HF/F-E45-DN19-6S1
1	25	1	-16	47.6	19.5	137	90	35.5	7000072100	HF/F-E45-DN25-6S1
1 1/4	25	1	-16	54	19.5	142	95	40.5	7000072200	HF/F-E45-DN25-6S11/4
1 1/4	31	1 1/4	-20	54	26	164	109.5	44	7000072400	HF/F-E45-DN31-6S11/4
1 1/2	31	1 1/4	-20	63.5	26	170	115.5	50.5	7000072500	HF/F-E45-DN31-6S11/2 ²⁾
1 1/2	38	1 1/2	-24	63.5	32	190	132	52	7000072600	HF/F-E45-DN38-6S11/2 ²⁾
2	38	1 1/2	-24	79.4	32	201	143	63.5	7000072700	HF/F-E45-DN38-6S2 ²⁾
2	51	2	-32	79.4	42	236	163.5	67.5	7000072800	HF/F-E45-DN51-6S2 ²⁾

²⁾ Special sizes only on request

FL6 90

Hose fittings with SAE flange
high pressure series (6000 psi)

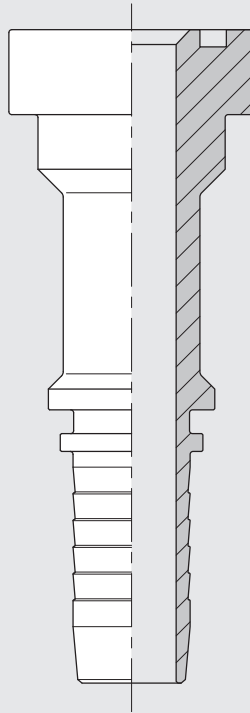
ISO 12151-3 (ISO 6162-2)



Fl. size Inch	Hose size			d	dx	lg	lx	lh	Order-No.	Designation
	DN	Inch	Dash							
1/2	12	1/2	-08	31.7	9.5	71.5	42	44.5	7000072900	HF/F-E-DN12-6S1/2
3/4	12	1/2	-08	41.3	9.5	71.5	42	52.5	7000073000	HF/F-E-DN12-6S3/4
3/4	16	5/8	-10	41.3	12.5	87	53	59	7000073200	HF/F-E-DN16-6S3/4
3/4	19	3/4	-12	41.3	15	99	60	61	7000073400	HF/F-E-DN19-6S3/4
1	19	3/4	-12	47.6	15	99	60	67	7000073500	HF/F-E-DN19-6S1
1	25	1	-16	47.6	19.5	125.5	78.5	74.5	7000073700	HF/F-E-DN25-6S1
1 1/4	25	1	-16	54	19.5	126	79	81.5	7000073800	HF/F-E-DN25-6S11/4
1 1/4	31	1 1/4	-20	54	26	150.5	96	90.5	7000074000	HF/F-E-DN31-6S11/4
1 1/2	31	1 1/4	-20	63.5	26	150.5	96	99	7000074100	HF/F-E-DN31-6S11/2 ¹⁾
1 1/2	38	1 1/2	-24	63.5	32	175.5	117.5	108.5	7000074200	HF/F-E-DN38-6S11/2 ¹⁾
2	38	1 1/2	-24	79.4	32	175.5	117.5	124.5	7000074300	HF/F-E-DN38-6S2 ¹⁾
2	51	2	-32	79.4	42	219.5	147	140	7000074400	HF/F-E-DN51-6S2 ¹⁾

¹⁾ Standard size

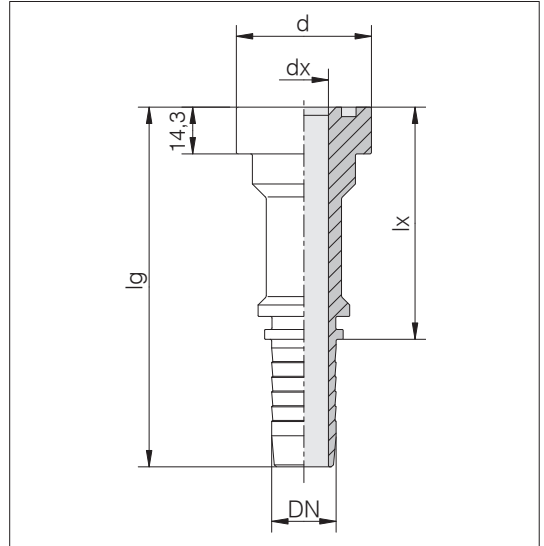
Hose fittings with flange high pressure series (9000 psi)



FLCAT

Hose fittings with flange
high pressure series (9000 psi)

ISO 12151-3 (ISO 6162-2)



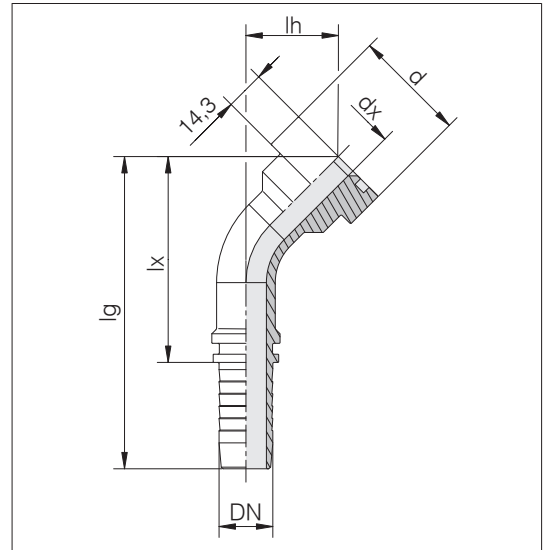
Fl. size Inch	Hose size			d	dx	lg	lx	Order-No.	Designation
	DN	Inch	Dash						
3/4	19	3/4	-12	41.3	15	110	71	7000307700	HF/F-CS-DN19-6S3/4 ²⁾
1	19	3/4	-12	47.6	15	114.5	75.5	7000307800	HF/F-CS-DN19-6S1 ²⁾
1	25	1	-16	47.6	19.5	127	80	7000307900	HF/F-CS-DN25-6S1 ²⁾
1 1/4	25	1	-16	54	19.5	131.5	84.5	7000308000	HF/F-CS-DN25-6S11/4 ²⁾
1 1/4	31	1 1/4	-20	54	26	143.5	89	7000308100	HF/F-CS-DN31-6S11/4 ²⁾
1 1/2	31	1 1/4	-20	63.5	26	148	93.5	7000308200	HF/F-CS-DN31-6S11/2 ²⁾
1 1/2	38	1 1/2	-24	63.5	32	156	98	7000308300	HF/F-CS-DN38-6S11/2 ²⁾

²⁾ Special sizes only on request

FLCAT 45

Hose fittings with flange
high pressure series (9000 psi)

ISO 12151-3 (ISO 6162-2)



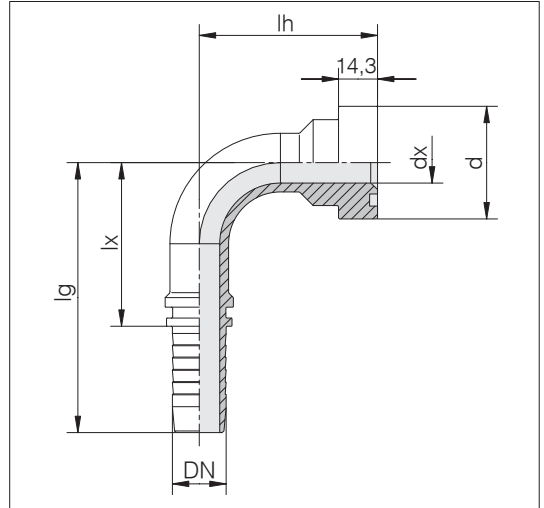
Fl. size Inch	Hose size			d	d _x	l _g	l _x	l _h	Order-No.	Designation
	DN	Inch	Dash							
3/4	19	3/4	-12	41.3	15	114	75	34.5	7000309100	HF/F-CE45-DN19-6S3/4 ²⁾
1	19	3/4	-12	47.6	15	118	79	38.5	7000309200	HF/F-CE45-DN19-6S1 ²⁾
1	25	1	-16	47.6	19.5	140.5	93.5	38.5	7000309300	HF/F-CE45-DN25-6S1 ²⁾
1 1/4	25	1	-16	54	19.5	145	98	43	7000309400	HF/F-CE45-DN25-6S11/4 ²⁾
1 1/4	31	1 1/4	-20	54	26	167	112.5	47	7000309500	HF/F-CE45-DN31-6S11/4 ²⁾
1 1/2	31	1 1/4	-20	63.5	26	171	116.5	51.5	7000309600	HF/F-CE45-DN31-6S11/2 ²⁾
1 1/2	38	1 1/2	-24	63.5	32	191	133	53	7000309700	HF/F-CE45-DN38-6S11/2 ²⁾

²⁾ Special sizes only on request

FLCAT 90

Hose fittings with flange
high pressure series (9000 psi)

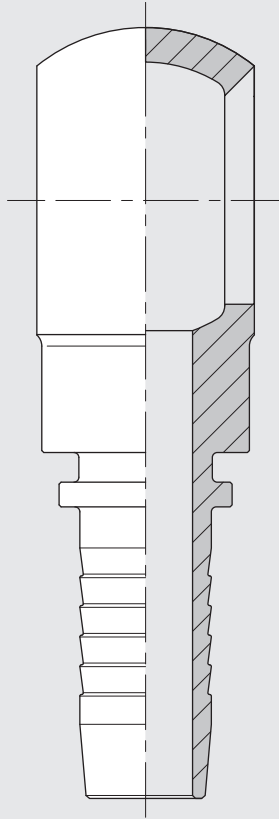
ISO 12151-3 (ISO 6162-2)



Fl. size Inch	Hose size			d	dx	lg	lx	lh	Order-No.	Designation
	DN	Inch	Dash							
3/4	19	3/4	-12	41.3	15	99	60	66.5	7000308400	HF/F-CE-DN19-6S3/4 ²⁾
1	19	3/4	-12	47.6	15	99	60	71.5	7000308500	HF/F-CE-DN19-6S1 ²⁾
1	25	1	-16	47.6	19.5	126	79	79	7000308600	HF/F-CE-DN25-6S1 ²⁾
1 1/4	25	1	-16	54	19.5	126	79	85.5	7000308700	HF/F-CE-DN25-6S11/4 ²⁾
1 1/4	31	1 1/4	-20	54	26	150.5	96	94.5	7000308800	HF/F-CE-DN31-6S11/4 ²⁾
1 1/2	31	1 1/4	-20	63.5	26	150.5	96	100.5	7000308900	HF/F-CE-DN31-6S11/2 ²⁾
1 1/2	38	1 1/2	-24	63.5	32	175.5	117.5	110	7000309000	HF/F-CE-DN38-6S11/2 ²⁾

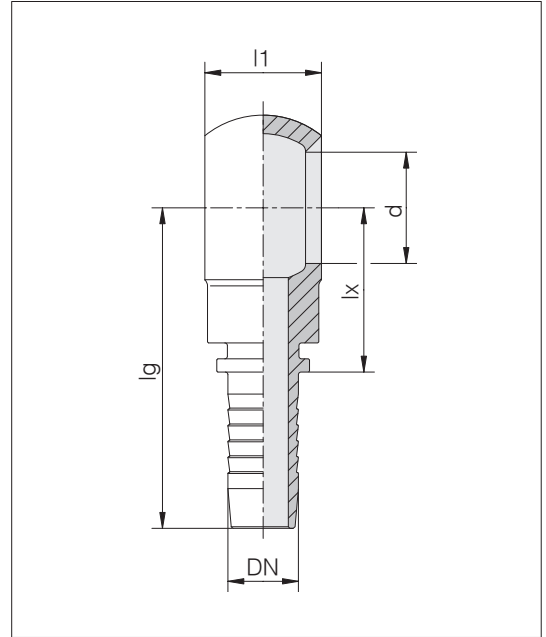
²⁾ Special sizes only on request

Ring eyelets



RNR

Ring eyes for inch banjo bolts

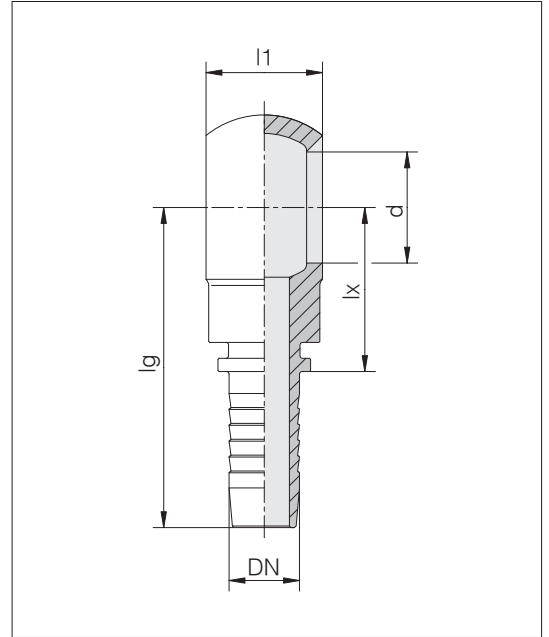


Hose size			d	lg	l1	lx	Order-No.	Designation
DN	Inch	Dash						
6	1/4	-04	G 1/4	49.5	14	21.5	7000322000	HF/GP-BFE-1/4-DN06
8	5/16	-05	G 3/8	52.5	18	24.5	7000322100	HF/GP-BFE-3/8-DN08
10	3/8	-06	G 3/8	54	18	24.5	7000322200	HF/GP-BFE-3/8-DN10
10	3/8	-06	G 1/2	59.5	22	30	7000322300	HF/GP-BFE-1/2-DN10
12	1/2	-08	G 1/2	60.5	22	31	7000322400	HF/GP-BFE-1/2-DN12
12	1/2	-08	G 5/8	63	23.5	33.5	7000322500	HF/GP-BFE-5/8-DN12 ²⁾
16	5/8	-10	G 5/8	67.5	23.5	33.5	7000322600	HF/GP-BFE-5/8-DN16 ²⁾
16	5/8	-10	G 3/4	72	29	38	7000322700	HF/GP-BFE-3/4-DN16 ²⁾
19	3/4	-12	G 3/4	78.5	29	39.5	7000322800	HF/GP-BFE-3/4-DN19
19	3/4	-12	G 1	87	38	48	7000322900	HF/GP-BFE-1-DN19 ²⁾
25	1	-16	G 1	95	38	48	7000323000	HF/GP-BFE-1-DN25

²⁾ Special sizes only on request

RBM

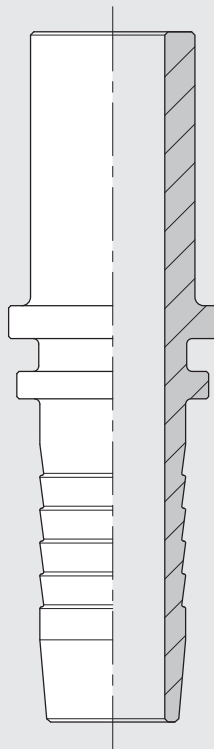
Ring eyes for metric banjo bolts



Hose size			d	lg	l1	lx	Order-No.	Designation
DN	Inch	Dash						
6	1/4	-04	M 12	46.5	12.5	18.5	7000323100	HF/GP-BFE-M12-DN06
6	1/4	-04	M 14	49.5	14	21.5	7000323200	HF/GP-BFE-M14-DN06
8	5/16	-05	M 14	54.5	14	26.5	7000323300	HF/GP-BFE-M14-DN08
8	5/16	-05	M 16	52.5	18	24.5	7000323500	HF/GP-BFE-M16-DN08
10	3/8	-06	M 14	56	14	26.5	7000323400	HF/GP-BFE-M14-DN10
10	3/8	-06	M 16	54	18	24.5	7000323600	HF/GP-BFE-M16-DN10
10	3/8	-06	M 18	57	20	27.5	7000323700	HF/GP-BFE-M18-DN10
12	1/2	-08	M 18	58	20	28.5	7000323800	HF/GP-BFE-M18-DN12
12	1/2	-08	M 22	60.5	22	31	7000323900	HF/GP-BFE-M22-DN12
16	5/8	-10	M 22	69.5	22	35.5	7000324000	HF/GP-BFE-M22-DN16
16	5/8	-10	M 26	72	29	38	7000324100	HF/GP-BFE-M26-DN16
19	3/4	-12	M 26	78.5	29	39.5	7000324200	HF/GP-BFE-M26-DN19 ²⁾
19	3/4	-12	M 30	82	30	43	7000324300	HF/GP-BFE-M30-DN19 ²⁾

²⁾ Special sizes only on request

Hose Fittings with tube socket L series

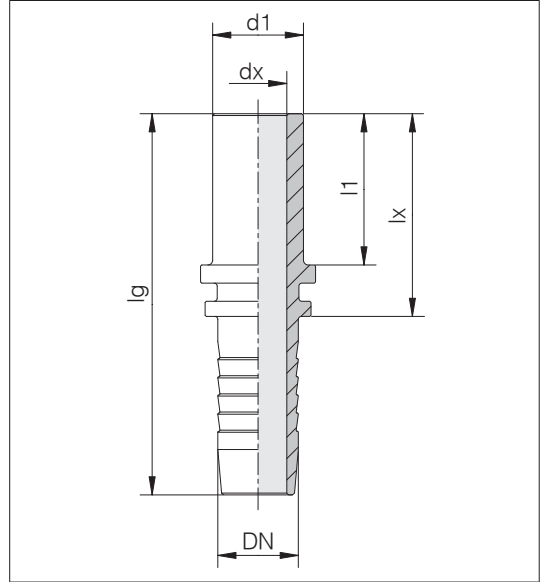


BEL

Hose fittings with pipe attachment for cutting ring fittings

ISO 8434-1

L series



Series	Hose size			dx	lg	l1	lx	Order-No.	Designation
Tube OD d1	DN	Inch	Dash						
L 6	5	3/16	-03	3	50.5	23	28.5	7000297900	HF/24-SWSX-L6-DN05
L 6	6	1/4	-04	4	57.5	23	29.5	7000298000	HF/24-SWSX-L6-DN06
L / S 8	6	1/4	-04	4	58.5	24	30.5	7000298100	HF/24-SWSX-L8-DN06
L 10	8	5/16	-05	5.5	59.5	25	31.5	7000298200	HF/24-SWSX-L10-DN08
L 10	10	3/8	-06	7	62	25	32.5	7000298300	HF/24-SWSX-L10-DN10
L 12	10	3/8	-06	7	62.5	25	33	7000298400	HF/24-SWSX-L12-DN10
L 15	10	3/8	-06	7	61	25	31.5	7000298500	HF/24-SWSX-L15-DN10
L 15	12	1/2	-08	9.5	63	25	33.5	7000298600	HF/24-SWSX-L15-DN12
L 18	12	1/2	-08	9.5	65	27	35.5	7000298700	HF/24-SWSX-L18-DN12
L 18	16	5/8	-10	12.5	69.5	27	35.5	7000298800	HF/24-SWSX-L18-DN16
L 22	16	5/8	-10	12.5	71.5	29	37.5	7000298900	HF/24-SWSX-L22-DN16
L 22	19	3/4	-12	15	79	29	40	7000299000	HF/24-SWSX-L22-DN19
L 28	25	1	-16	19.5	87	30	40	7000299100	HF/24-SWSX-L28-DN25
L 35	31	1 1/4	-20	26	103	36	48.5	7000299200	HF/24-SWSX-L35-DN31 ²⁾
L 42	38	1 1/2	-24	32	110.5	40	52.5	7000299300	HF/24-SWSX-L42-DN38 ²⁾

²⁾ Special sizes only on request

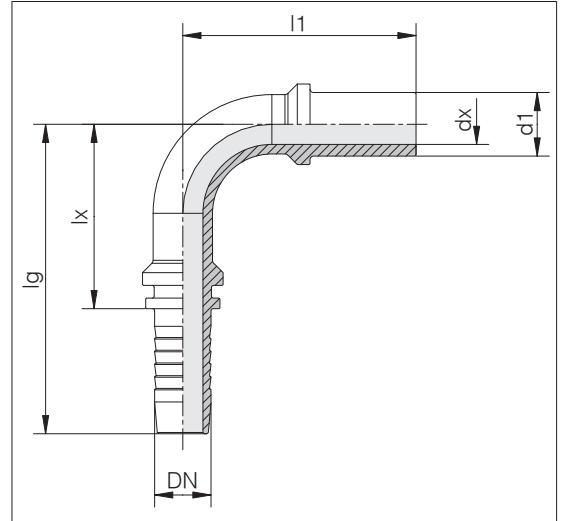


BEL 90

Hose fittings with pipe attachment for cutting ring fittings

ISO 8434-1

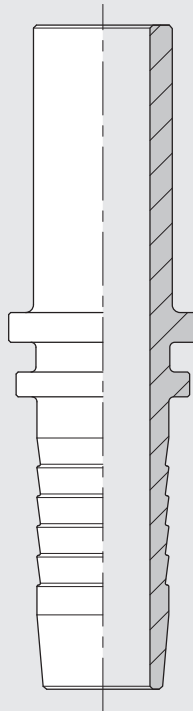
L series



Series	Hose size			dx	lg	l1	lx	Order-No.	Designation
Tube OD	DN	Inch	Dash						
d1									
L 6	5	3/16	-03	3	47.5	41.5	25.5	7000299400	HF/24-SWEX-L6-DN05
L 6	6	1/4	-04	4	57	41.5	29	7000299500	HF/24-SWEX-L6-DN06
L / S 8	6	1/4	-04	4	57	42.5	29	7000299600	HF/24-SWEX-L8-DN06
L 10	8	5/16	-05	5.5	57.5	46	29.5	7000299700	HF/24-SWEX-L10-DN08
L 10	10	3/8	-06	7	63	51	33.5	7000299800	HF/24-SWEX-L10-DN10
L 12	10	3/8	-06	7	63	51	33.5	7000299900	HF/24-SWEX-L12-DN10
L 15	12	1/2	-08	9.5	71.5	56	42	7000300000	HF/24-SWEX-L15-DN12
L 18	12	1/2	-08	9.5	71.5	59.5	42	7000300100	HF/24-SWEX-L18-DN12
L 18	16	5/8	-10	12.5	87	68	53	7000300200	HF/24-SWEX-L18-DN16
L 22	16	5/8	-10	12.5	87	72	53	7000300300	HF/24-SWEX-L22-DN16 ²⁾
L 22	19	3/4	-12	15	99	72.5	60	7000300400	HF/24-SWEX-L22-DN19
L 28	25	1	-16	19.5	126	86	79	7000300500	HF/24-SWEX-L28-DN25 ²⁾
L 35	31	1 1/4	-20	26	150.5	106	96	7000300600	HF/24-SWEX-L35-DN31 ²⁾

²⁾ Special sizes only on request

Hose Fittings with tube socket S series

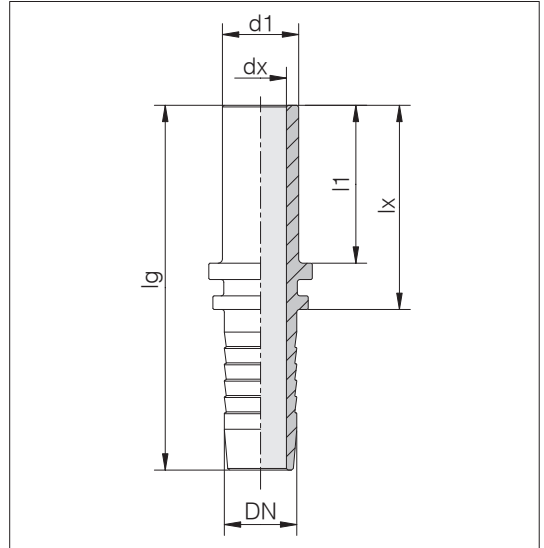


BES

Hose fittings with pipe attachment for cutting ring fittings

ISO 8434-1

S series



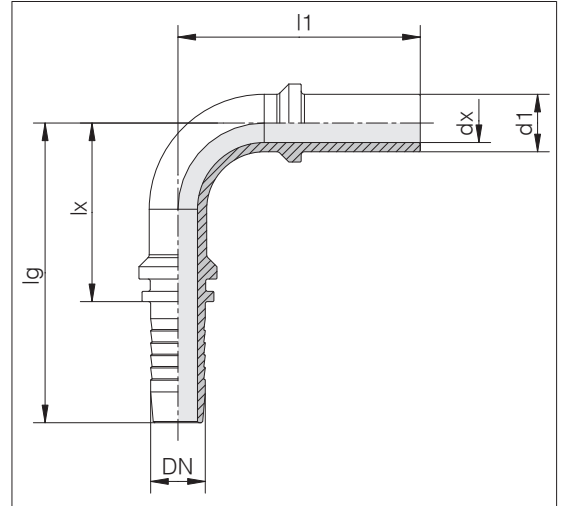
Series	Hose size			dx	lg	l1	lx	Order-No.	Designation
Tube OD	DN	Inch	Dash						
d1									
S 8	5	3/16	-03	3	51.5	24	29.5	7000300700	HF/24-SWSX-S8-DN05
S 10	6	1/4	-04	4	60.5	25	32.5	7000300800	HF/24-SWSX-S10-DN06
S 12	6	1/4	-04	4	59.5	25	31.5	7000300900	HF/24-SWSX-S12-DN06
S 12	8	5/16	-05	5.5	60	25	32	7000301000	HF/24-SWSX-S12-DN08
S 14	10	3/8	-06	7	66	29	36.5	7000301100	HF/24-SWSX-S14-DN10
S 14	12	1/2	-08	9.5	67	29	37.5	7000301200	HF/24-SWSX-S14-DN12
S 16	12	1/2	-08	9.5	70	32	40.5	7000301300	HF/24-SWSX-S16-DN12
S 20	16	5/8	-10	12.5	78.5	36	44.5	7000301400	HF/24-SWSX-S20-DN16
S 20	19	3/4	-12	15	86	36	47	7000301500	HF/24-SWSX-S20-DN19
S 25	19	3/4	-12	15	90	40	51	7000301600	HF/24-SWSX-S25-DN19
S 25	25	1	-16	19.5	97	40	50	7000301700	HF/24-SWSX-S25-DN25
S 30	25	1	-16	19.5	102	45	55	7000301800	HF/24-SWSX-S30-DN25
S 38	31	1 1/4	-20	26	117	50	62.5	7000301900	HF/24-SWSX-S38-DN31

BES 90

Hose fittings with pipe attachment for cutting ring fittings

ISO 8434-1

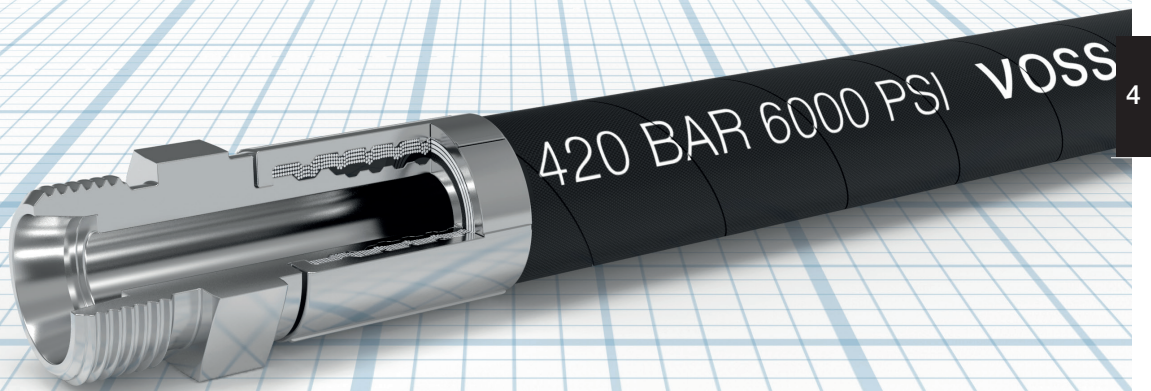
S series



Series	Hose size			dx	lg	l1	lx	Order-No.	Designation
Tube OD	DN	Inch	Dash						
d1									
S 10	6	1/4	-04	4	57	43.5	29	7000302100	HF/24-SWEX-S10-DN06
S 12	6	1/4	-04	4	57	43.5	29	7000302200	HF/24-SWEX-S12-DN06 ²⁾
S 12	8	5/16	-05	5.5	57.5	46	29.5	7000302300	HF/24-SWEX-S12-DN08
S 14	10	3/8	-06	7	63	55	33.5	7000302400	HF/24-SWEX-S14-DN10
S 14	12	1/2	-08	9.5	71.5	60	42	7000302500	HF/24-SWEX-S14-DN12 ²⁾
S 16	12	1/2	-08	9.5	71.5	63	42	7000302600	HF/24-SWEX-S16-DN12 ²⁾
S 20	16	5/8	-10	12.5	87	78	53	7000302700	HF/24-SWEX-S20-DN16 ²⁾
S 20	19	3/4	-12	15	99	80.5	60	7000302800	HF/24-SWEX-S20-DN19 ²⁾
S 25	19	3/4	-12	15	99	84.5	60	7000302900	HF/24-SWEX-S25-DN19 ²⁾
S 25	25	1	-16	19.5	126	96	79	7000303000	HF/24-SWEX-S25-DN25 ²⁾
S 30	25	1	-16	19.5	126	101	79	7000303100	HF/24-SWEX-S30-DN25 ²⁾

²⁾ Special sizes only on request

Hose fittings VOSS NPS8 (Interlock)



Content

Type/Page

Double Skive swaged ferrules

MPF 3

MPF 4



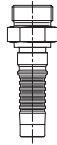
P.116



P.117

Hose fittings with 24° cone

MCES



P.120

Hose fittings with 24° taper
S series

MDKOS

MDKOS 45

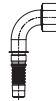
MDKOS 90



P.122



P.123



P.124

Hose fittings with BSP thread

MAGR



P.126

Hose fittings with
UN/UNF thread

MAGJ



P.128

Content

Type/Page

Hose fittings with
NPTF thread

MAGN



P.130

Hose fittings with BSP thread
and 60° taper O-ring

MDKOR

MDKOR 45

MDKOR 90



P.132



P.133



P.134

Hose fittings with UN/UNF thread
and
37° cone O-ring

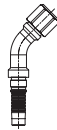
MDKOJ

MDKOJ 45

MDKOJ 90



P.136



P.137



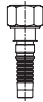
P.138

Hose fittings ORFS with
UN/UNF thread

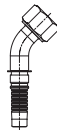
MORFS

MORFS 45

MORFS 90



P.140



P.141



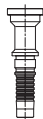
P.142

Hose fittings with SAE flange
standard series (3000 psi)

MFL3

MFL3 45

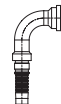
MFL3 90



P.144



P.145



P.146

Content

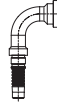
Type/Page

Hose fittings with SAE flange
high pressure series (6000 psi)

MFL6

MFL6 45

MFL6 90



P.148

P.149

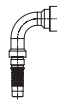
P.150

Hose fittings with flange
high pressure series (9000 psi)

MFLCAT

MFLCAT 45

MFLCAT 90

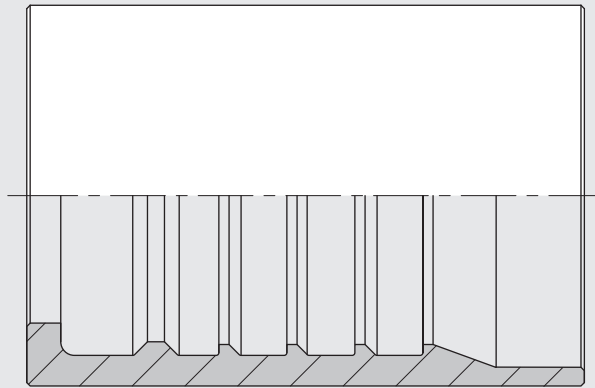


P.152

P.153

P.154

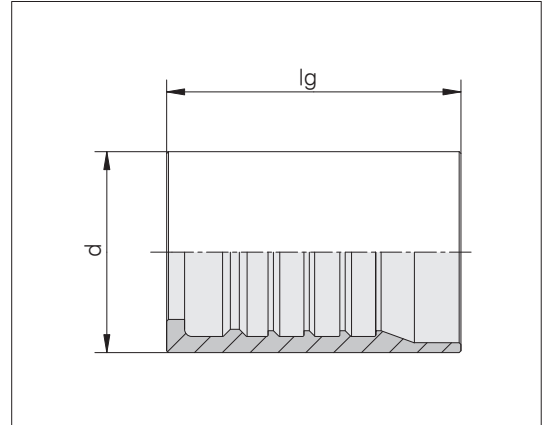
Double Skive swaged ferrules



MPF 3

Double Skive swaged ferrules with interlock for spiral hoses acc. to

EN 856 4SH
EN 856 R13
SAE 100 R13/R15



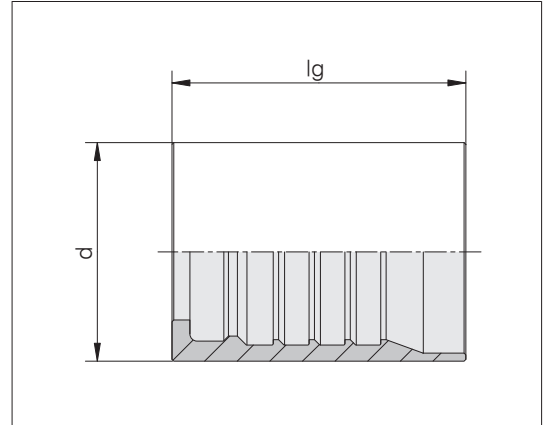
Hose size			d	lg	Tube type	Order-No.	Designation
DN	Inch	Dash					
16	5/8	-10	36	56	4SH-R15	7004608700	HF-FER/MPF3-DN16-IL
19	3/4	-12	40	62	4SH-R13-R15	7000035600	HF-FER/MPF3-DN19-IL
25	1	-16	47	75	4SH-R13-R15	7000035700	HF-FER/MPF3-DN25-IL
31	1 1/4	-20	56	82	4SH	7000035800	HF-FER/MPF3-DN31-IL
38	1 1/2	-24	63	93	4SH	7000035900	HF-FER/MPF3-DN38-IL
51	2	-32	80	100	4SH	7000036000	HF-FER/MPF3-DN51-IL

MPF 4

Double Skive swaged ferrules for spiral tubes in acc. with

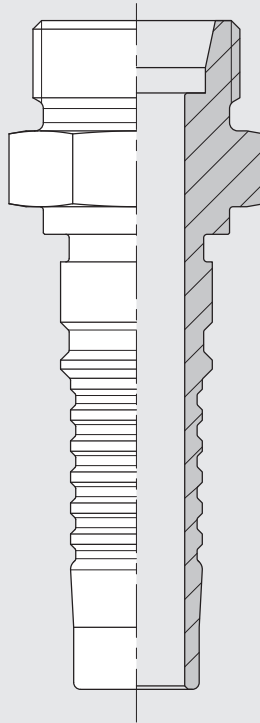
EN 856 R13

SAE 100 R13/R15



Hose size			d	lg	Tube type	Order-No.	Designation
DN	Inch	Dash					
31	1 1/4	-20	61	82	R13-R15	7000036100	HF-FER/MPF4-DN31-IL
38	1 1/2	-24	71	93	R13-R15	7000036200	HF-FER/MPF4-DN38-IL
51	2	-32	85	100	R13	7000036300	HF-FER/MPF4-DN51-IL

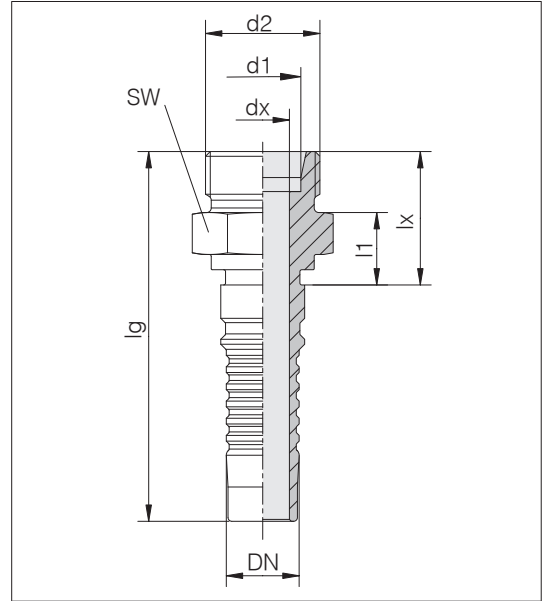
Hose fittings with 24° cone



MCES

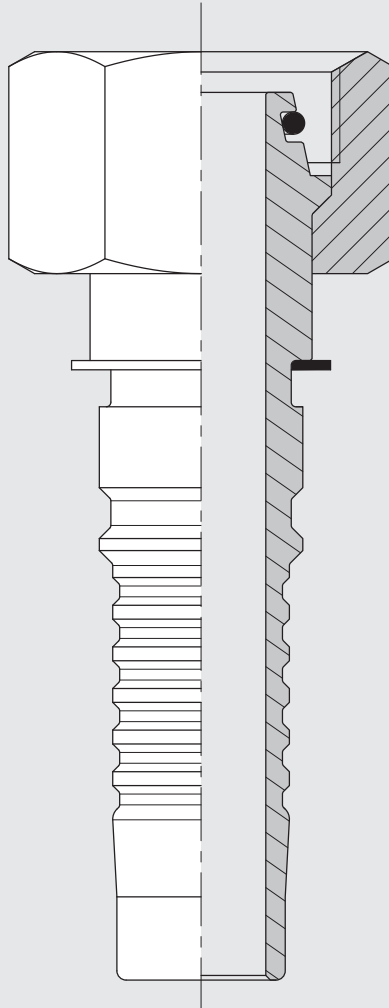
Hose fittings with metric thread and 24° cone

ISO 12151-2 (ISO 8434-1)



Series	Hose size			d2	dx	lg	lx	l1	SW	Order-No.	Designation
Tube OD	DN	Inch	Dash	metric							
S 20	16	5/8	-10	M 30 x 2	11	94	36	20	32	7004401700	HF/24-S-S20-DN16-IL
S 20	19	3/4	-12	M 30 x 2	14	97	35	19	32	7000055200	HF/24-S-S20-DN19-IL
S 25	19	3/4	-12	M 36 x 2	14	99	37	19	41	7000055300	HF/24-S-S25-DN19-IL
S 30	25	1	-16	M 42 x 2	19	117	43	23	46	7000055500	HF/24-S-S30-DN25-IL
S 38	31	1 1/4	-20	M 52 x 2	25	126	46	24	55	7000055700	HF/24-S-S38-DN31-IL

Hose fittings with 24° taper S series

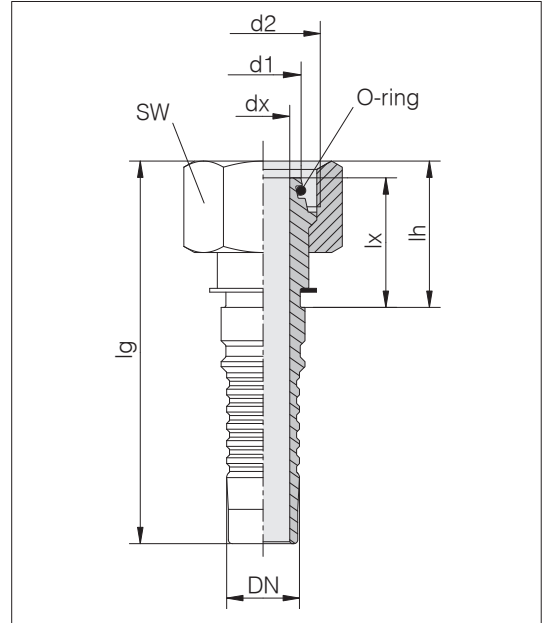


MDKOS

Hose fittings with 24° taper and O-ring
fit in bore type
W DIN 3861/ISO 8434-1

ISO 12151-2 (ISO 8434-1)

Standard O-ring material is FKM



Series	Hose size			d2	dx	lg	lx	lh	SW	O-ring	Order-No.	Designation
Tube OD	DN	Inch	Dash	metric								
S 20	16	5/8	-10	M 30 x 2	11	94	33	36	36	16,3 x 2,4	7004400700	HF/24-SWOS-S20-DN16-IL
S 20	19	3/4	-12	M 30 x 2	14	99	34	37	36	16,3 x 2,4	7004643800	HF/24-SWOS-S20-DN19-IL
S 25	19	3/4	-12	M 36 x 2	14	105	37	43	46	20,3 x 2,4	7004649200	HF/24-SWOS-S25-DN19-IL
S 25	25	1	-16	M 36 x 2	19	112	33	38	46	20,3 x 2,4	7004649500	HF/24-SWOS-S25-DN25-IL ³⁾
S 30	25	1	-16	M 42 x 2	19	120.5	39	46.5	50	25,3 x 2,4	7004649800	HF/24-SWOS-S30-DN25-IL
S 30	31	1 1/4	-20	M 42 x 2	25	124	36.5	44	50	25,3 x 2,4	7005716600	HF/24-SWOS-S30-DN31-IL
S 38	31	1 1/4	-20	M 52 x 2	25	133.5	44.5	53.5	60	33,3 x 2,4	7004650100	HF/24-SWOS-S38-DN31-IL
S 38	38	1 1/2	-24	M 52 x 2	31	139	38.5	47.5	65	33,3 x 2,4	7004650400	HF/24-SWOS-S38-DN38-IL ³⁾

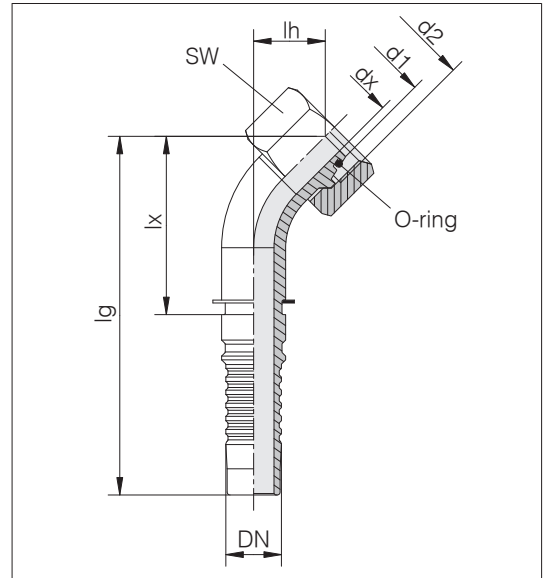
³⁾ Crimped union nuts

MDKOS 45

Hose fittings with 24° taper and O-ring fit in bore type
W DIN 3861/ISO 8434-1

ISO 12151-2 (ISO 8434-1)

Standard O-ring material is FKM



Series	Hose size			d2	dx	lg	lx	lh	SW	O-ring	Order-No.	Designation
Tube OD	DN	Inch	Dash	metric								
S 20	19	3/4	-12	M 30 x 2	14	137	75	31	36	16,3 x 2,4	7004671100	HF/24-SWOE45-S20-DN19-IL
S 25	19	3/4	-12	M 36 x 2	14	137	75	31	46	20,3 x 2,4	7004672300	HF/24-SWOE45-S25-DN19-IL
S 25	25	1	-16	M 36 x 2	19	171	97	41.5	46	20,3 x 2,4	7004672700	HF/24-SWOE45-S25-DN25-IL ³⁾
S 30	25	1	-16	M 42 x 2	19	163	89	31	50	25,3 x 2,4	7004673100	HF/24-SWOE45-S30-DN25-IL
S 38	31	1 1/4	-20	M 52 x 2	25	195	115	40	60	33,3 x 2,4	7004673500	HF/24-SWOE45-S38-DN31-IL
S 38	38	1 1/2	-24	M 52 x 2	31	232	140.5	55.5	65	33,3 x 2,4	7004674200	HF/24-SWOE45-S38-DN38-IL ³⁾

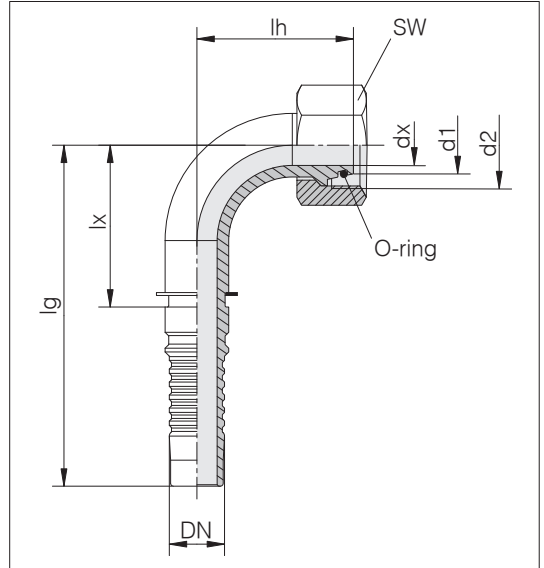
³⁾ Crimped union nuts

MDKOS 90

Hose fittings with 24° taper and O-ring
fit in bore type
W DIN 3861/ISO 8434-1

ISO 12151-2 (ISO 8434-1)

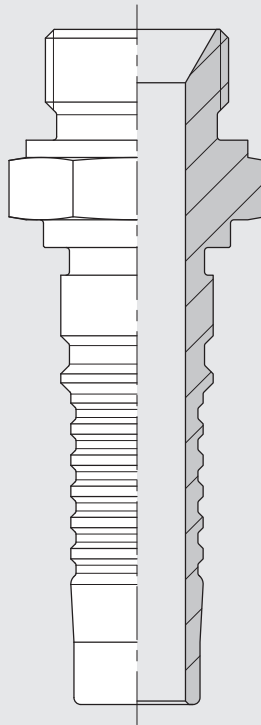
Standard O-ring material is FKM



Series	Hose size			d2	dx	lg	lx	lh	SW	O-ring	Order-No.	Designation
Tube OD	DN	Inch	Dash	metric								
S 20	19	3/4	-12	M 30 x 2	14	125	63	63	36	16,3 x 2,4	7004659700	HF/24-SWOE-S20-DN19-IL
S 25	19	3/4	-12	M 36 x 2	14	125	63	63.5	46	20,3 x 2,4	7004665500	HF/24-SWOE-S25-DN19-IL
S 25	25	1	-16	M 36 x 2	19	157	83	84	46	20,3 x 2,4	7004665900	HF/24-SWOE-S25-DN25-IL ³⁾
S 30	25	1	-16	M 42 x 2	19	160	86	69	50	25,3 x 2,4	7004666300	HF/24-SWOE-S30-DN25-IL
S 38	31	1 1/4	-20	M 52 x 2	25	187.5	107.5	88.5	60	33,3 x 2,4	7004666700	HF/24-SWOE-S38-DN31-IL
S 38	38	1 1/2	-24	M 52 x 2	31	217	125.5	117	65	33,3 x 2,4	7004667100	HF/24-SWOE-S38-DN38-IL ³⁾

³⁾ Crimped union nuts

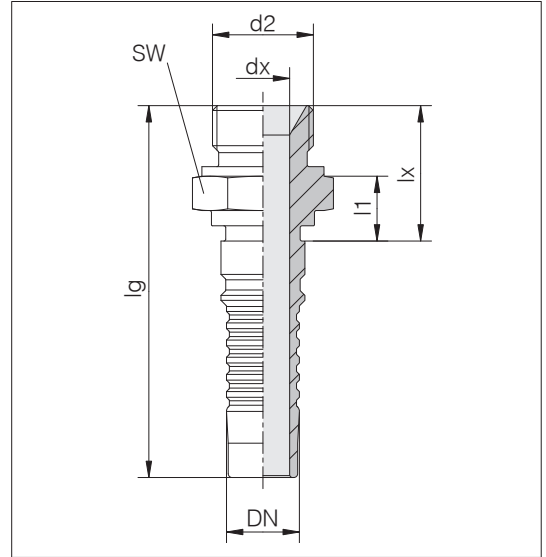
Hose fittings with BSP thread



MAGR

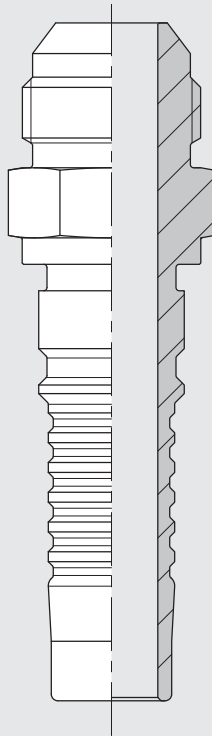
Hose fittings with BSP thread and 60° cone, cylindrical

ISO 12151-6 (ISO 8434-6)



Hose size			d2 BSP	dx	lx	lg	l1	SW	Order-No.	Designation
DN	Inch	Dash								
19	3/4	-12	G 3/4	14	35.5	97.5	19.5	32	7000317000	HF/60-S-20-DN19-IL
25	1	-16	G 1	19	40.5	114.5	21.5	41	7000317100	HF/60-S-25-DN25-IL
31	1 1/4	-20	G 1 1/4	25	45.5	125.5	25.5	50	7000317200	HF/60-S-25-DN31-IL
38	1 1/2	-24	G 1 1/2	31	52	143.5	30	55	7000317300	HF/60-S-25-DN38-IL
51	2	-32	G 2	42	58	162	33	70	7000317400	HF/60-S-50-DN51-IL

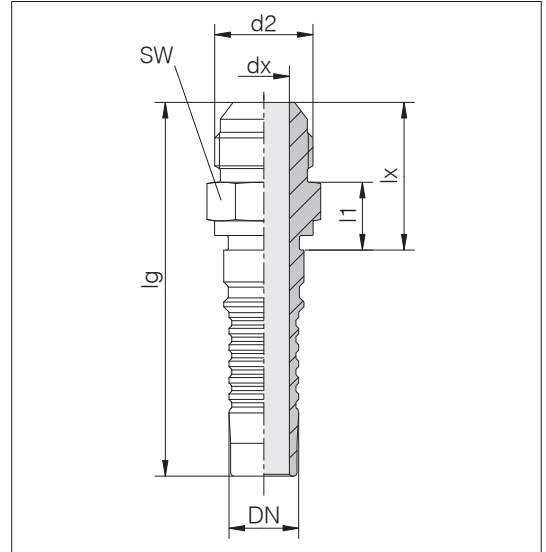
Hose fittings with UN/UNF thread



MAGJ

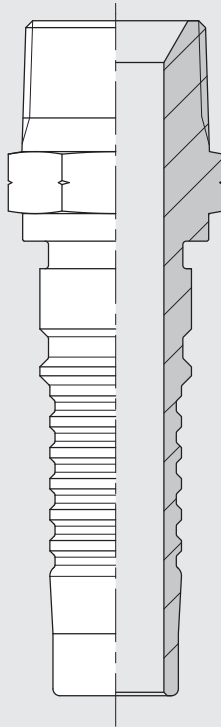
Hose fittings with UN/UNF thread and 37° taper (JIC)

ISO 12151-5 (ISO 8434-2)



Hose size			d2	dx	lx	lg	l1	SW	Order-No.	Designation
DN	Inch	Dash	UN/UNF							
19	3/4	-12	1 1/16-12 UN	14	40.5	102.5	18.6	27	7000317500	HF/37-S-20-DN19-IL
25	1	-16	1 5/16-12 UN	19	43	117	19.9	36	7000317600	HF/37-S-25-DN25-IL
31	1 1/4	-20	1 5/8-12 UN	25	47	127	22.7	46	7000317700	HF/37-S-30-DN31-IL
38	1 1/2	-24	1 7/8-12 UN	31	54	145.5	26.5	50	7000317800	HF/37-S-38-DN38-IL
51	2	-32	2 1/2-12 UN	42	65.5	169.5	31.6	65	7000317900	HF/37-S-50-DN51-IL

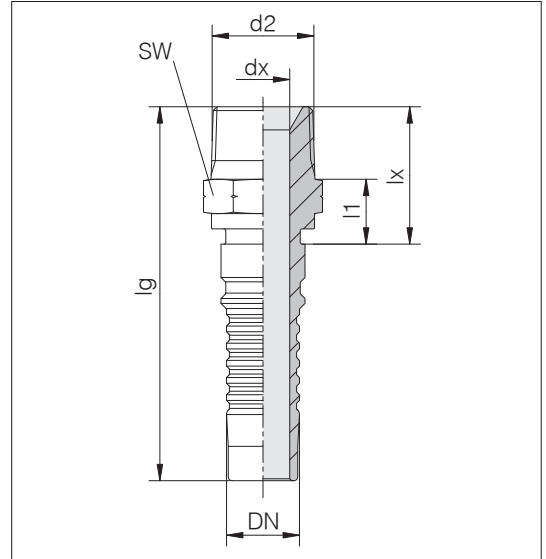
Hose fittings with NPTF thread



MAGN

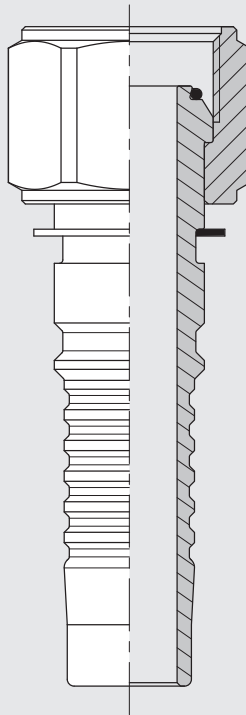
Hose fittings with NPTF thread, tapered

SAE J 516



Hose size			d2	dx	lg	lx	l1	SW	Order-No.	Designation
DN	Inch	Dash	NPTF							
19	3/4	-12	3/4 NPTF	14	98	36	17	27	7000324400	HF/GP-SDS-NF3/4T-DN19-IL
25	1	-16	1 NPTF	19	116	42	18	36	7000324500	HF/GP-SDS-NF1T-DN25-IL
31	1 1/4	-20	1 1/4 NPTF	25	124.5	44.5	20	46	7000324600	HF/GP-SDS-NF11/4T-DN31-IL
38	1 1/2	-24	1 1/2 NPTF	31	139.5	48	22.5	50	7000324700	HF/GP-SDS-NF11/2T-DN38-IL
51	2	-32	2 NPTF	42	157	53	27	65	7000324800	HF/GP-SDS-NF2T-DN51-IL

Hose fittings with BSP thread and 60° taper O-ring

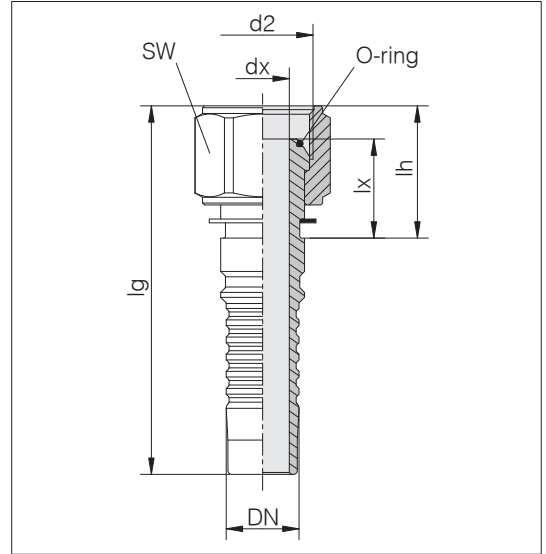


MDKOR

Hose fittings with BSP thread and 60° taper O-Ring

ISO 12151-6 (ISO 8434-6)

Standard O-ring material is NBR



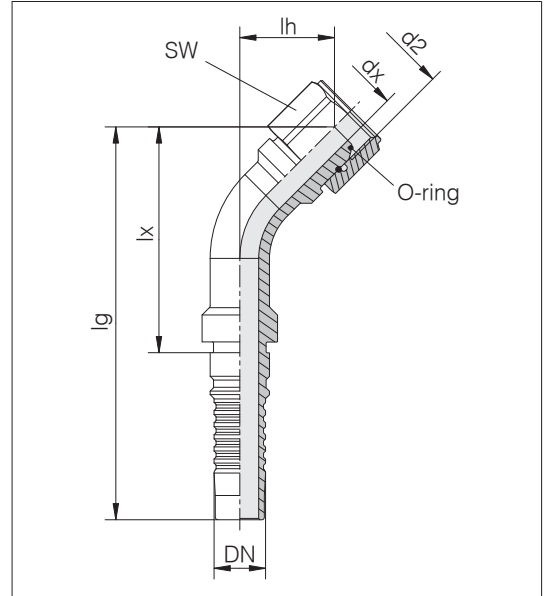
Hose size			d2	dx	lg	lx	lh	SW	O-ring	Order-No.	Designation
DN	Inch	Dash	BSP								
19	3/4	-12	G 3/4	14	96.5	26	34.5	32	17,1 x 1,6	7000303200	HF/60-SWOS-20-DN19-IL
25	1	-16	G 1	19	113	28.5	39	41	22,1 x 1,6	7000303300	HF/60-SWOS-25-DN25-IL
31	1 1/4	-20	G 1 1/4	25	126	36	46	50	29,1 x 1,6	7000303400	HF/60-SWOS-32-DN31-IL
38	1 1/2	-24	G 1 1/2	31	146	42	54,5	55	35,1 x 1,6	7000303500	HF/60-SWOS-38-DN38-IL
51	2	-32	G 2	42	163	43	59	70	48,1 x 1,6	7000303600	HF/60-SWOS-50-DN51-IL

MDKOR 45

Hose fittings with BSP thread and 60° taper O-Ring

ISO 12151-6 (ISO 8434-6)

Standard O-ring material is NBR



Hose size		Dash	d2 BSP	dx	lg	lx	lh	SW	O-ring	Order-No.	Designation
DN	Inch										
19	3/4	-12	G 3/4	14	140	78	34.5	32	17,1 x 1,6	7000304200	HF/60-SWOE45-20-DN19-IL
25	1	-16	G 1	19	169.5	95.5	39	41	22,1 x 1,6	7000304300	HF/60-SWOE45-25-DN25-IL
31	1 1/4	-20	G 1 1/4	25	201	121	51.5	50	29,1 x 1,6	7000304400	HF/60-SWOE45-32-DN31-IL
38	1 1/2	-24	G 1 1/2	31	235	143.5	60	60	35,1 x 1,6	7000304500	HF/60-SWOE45-38-DN38-IL ²⁾
51	2	-32	G 2	41	279	175	68.5	70	48,1 x 1,6	7000304600	HF/60-SWOE45-50-DN51-IL ²⁾

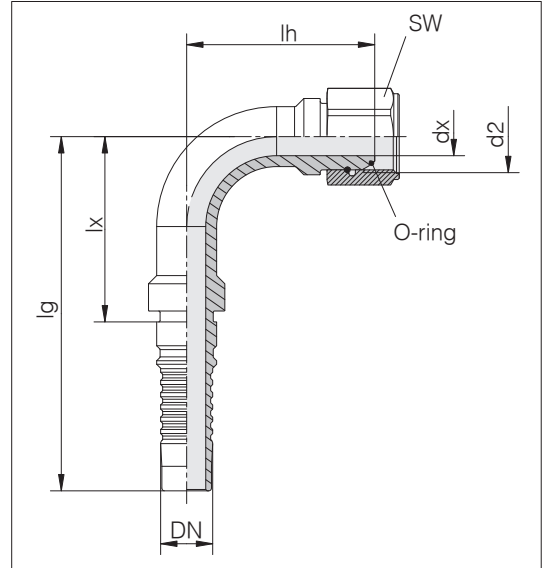
²⁾ Special sizes only on request

MDKOR 90

Hose fittings with BSP thread and 60° taper O-Ring

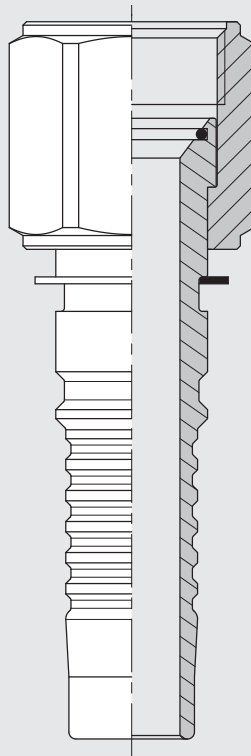
ISO 12151-6 (ISO 8434-6)

Standard O-ring material is NBR



Hose size			d2	dx	lg	lx	lh	SW	O-ring	Order-No.	Designation
DN	Inch	Dash	BSP								
19	3/4	-12	G 3/4	14	127.5	65.5	68.5	32	17,1 x 1,6	7000303700	HF/60-SWOE-20-DN19-IL
25	1	-16	G 1	19	158	84	82	41	22,1 x 1,6	7000303800	HF/60-SWOE-25-DN25-IL
31	1 1/4	-20	G 1 1/4	25	182	102	106.5	50	29,1 x 1,6	7000303900	HF/60-SWOE-32-DN31-IL
38	1 1/2	-24	G 1 1/2	31	215.5	124	123.5	60	35,1 x 1,6	7000304000	HF/60-SWOE-38-DN38-IL
51	2	-32	G 2	41	248	144	144.5	70	48,1 x 1,6	7000304100	HF/60-SWOE-50-DN51-IL

Hose fittings with UN/UNF thread and 37° cone O-ring

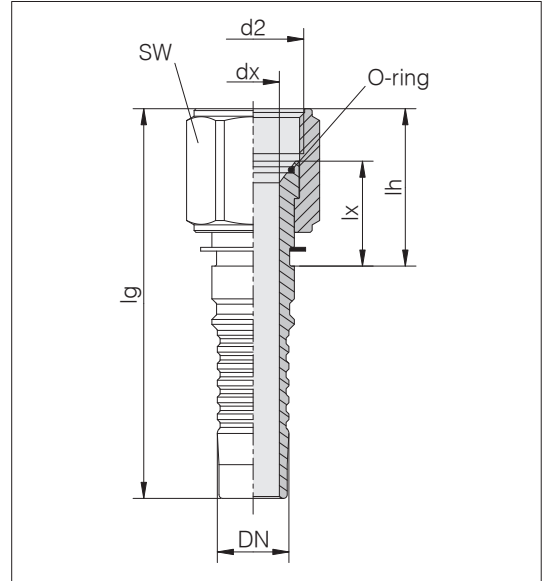


MDKOJ

Hose fittings with UN/UNF thread and 37° cone (JIC) O-Ring

In accordance with ISO 12151-5 (ISO 8434-2)

Standard O-ring material is NBR



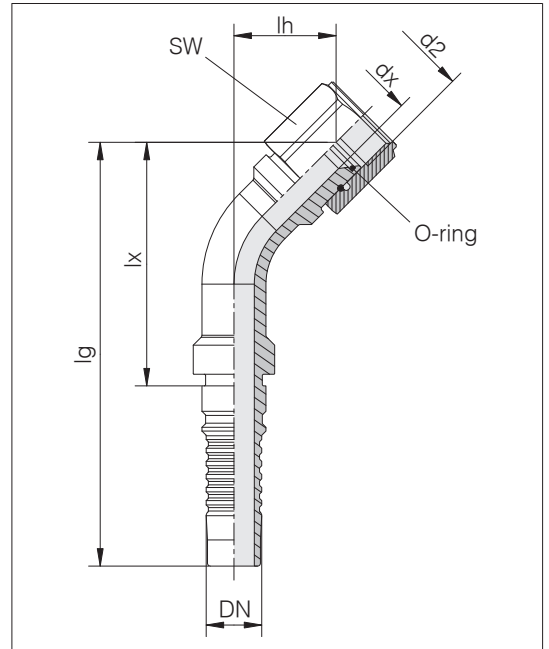
Hose size		Dash	d2 UN/UNF	dx	lg	lx	lh	SW	O-ring	Order-No.	Designation
DN	Inch										
19	3/4	-12	1 1/16-12 UN	14	104	28	42	32	19 x 1,5	7000304700	HF/37-SWS-20-DN19-IL
25	1	-16	1 5/16-12 UN	19	119	29.5	45	41	25 x 1,5	7000304800	HF/37-SWS-25-DN25-IL
31	1 1/4	-20	1 5/8-12 UN	25	129	35	49	50	31,47 x 1,78	7000304900	HF/37-SWS-30-DN31-IL
38	1 1/2	-24	1 7/8-12 UN	31	152	40.5	60.5	55	37,82 x 1,78	7000305000	HF/37-SWS-38-DN38-IL
51	2	-32	2 1/2-12 UN	42	170	42	66	75	50 x 2	7000305100	HF/37-SWS-50-DN51-IL

MDKOJ 45

Hose fittings with UN/UNF thread and
37° cone (JIC) O-Ring

In accordance with ISO 12151-5 (ISO 8434-2)

Standard O-ring material is NBR



Hose size		Dash	d2 UN/UNF	dx	lg	lx	lh	SW	O-ring	Order-No.	Designation
DN	Inch										
19	3/4	-12	1 1/16-12 UN	14	140	78	34.5	32	19 x 1,5	7000305700	HF/37-SWE45-20-DN19-IL
25	1	-16	1 5/16-12 UN	19	169.5	95.5	39	41	25 x 1,5	7000305800	HF/37-SWE45-25-DN25-IL
31	1 1/4	-20	1 5/8-12 UN	25	199	119	49.5	50	31,47 x 1,78	7000305900	HF/37-SWE45-30-DN31-IL
38	1 1/2	-24	1 7/8-12 UN	31	233	141.5	58	55	37,82 x 1,78	7000306000	HF/37-SWE45-38-DN38-IL ²⁾
51	2	-32	2 1/2-12 UN	41	275	171	64	75	50 x 2	7000306100	HF/37-SWE45-50-DN51-IL ²⁾

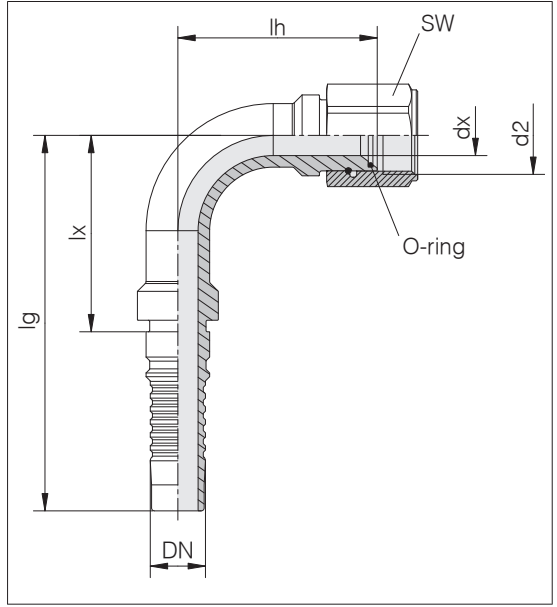
²⁾ Special sizes only on request

MDKOJ 90

Hose fittings with UN/UNF thread and 37° cone (JIC) O-Ring

In accordance with ISO 12151-5 (ISO 8434-2)

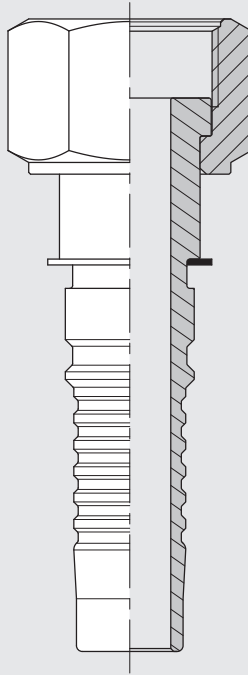
Standard O-ring material is NBR



Hose size		Dash	d2 UN/UNF	dx	lg	lx	lh	SW	O-ring	Order-No.	Designation
DN	Inch										
19	3/4	-12	1 1/16-12 UN	14	127.5	65.5	68.5	32	19 x 1,5	7000305200	HF/37-SWE-20-DN19-IL
25	1	-16	1 5/16-12 UN	19	158	84	82	41	25 x 1,5	7000305300	HF/37-SWE-25-DN25-IL
31	1 1/4	-20	1 5/8-12 UN	25	180	100	103	50	31,47 x 1,78	7000305400	HF/37-SWE-30-DN31-IL
38	1 1/2	-24	1 7/8-12 UN	31	215.5	124	120.5	55	37,82 x 1,78	7000305500	HF/37-SWE-38-DN38-IL
51	2	-32	2 1/2-12 UN	41	248	144	138.5	75	50 x 2	7000305600	HF/37-SWE-50-DN51-IL ²⁾

²⁾ Special sizes only on request

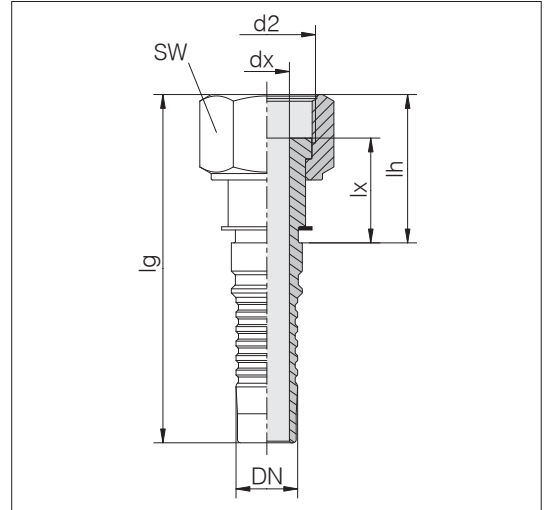
Hose fittings ORFS with UN/UNF thread



MORFS

Hose fittings with UN/UNF thread and face sealing (ORFS)

ISO 12151-1 (ISO 8434-3)

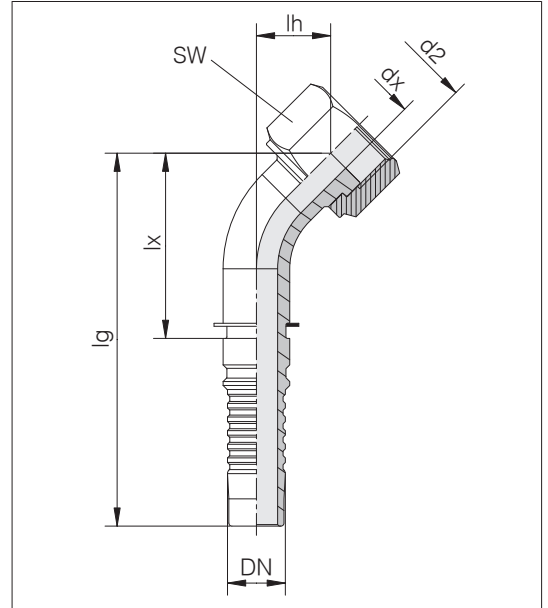


Hose size			d2 UN/UNF	dx	lg	lx	lh	SW	Order-No.	Designation
DN	Inch	Dash								
19	3/4	-12	1 3/16 - 12 UN	14	108	32.5	46	36	7000306200	HF/90-SWS-22-DN19-IL
19	3/4	-12	1 7/16 - 12 UN	14	109	33.5	47	41	7000306300	HF/90-SWS-25-DN19-IL
25	1	-16	1 7/16 - 12 UN	19	122	34.5	48	41	7000306400	HF/90-SWS-25-DN25-IL
31	1 1/4	-20	1 11/16 - 12 UN	25	129	35.5	49	50	7000306500	HF/90-SWS-30-DN31-IL
38	1 1/2	-24	2 - 12 UN	31	141	36	49.5	60	7000306600	HF/90-SWS-38-DN38-IL

MORFS 45

Hose Fittings with UN/UNF thread and front sealing (ORFS)

ISO 12151-1 (ISO 8434-3)

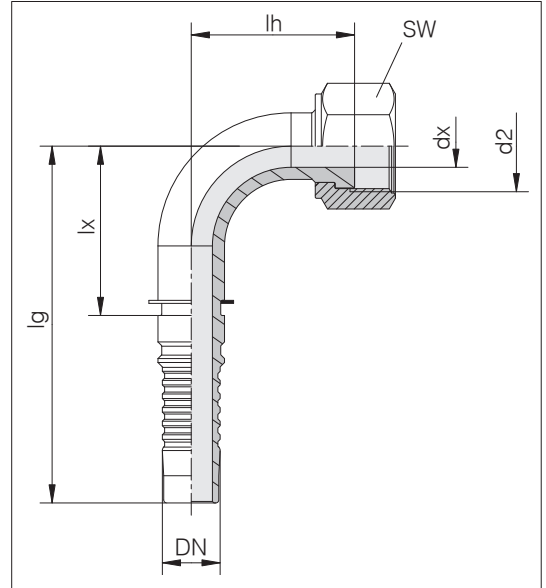


Hose size		Dash	d2 UN/UNF	dx	lg	lx	lh	SW	Order-No.	Designation
DN	Inch									
19	3/4	-12	1 3/16 - 12 UN	14	133	71	26.5	36	7000307200	HF/90-SWE45-22-DN19-IL
19	3/4	-12	1 7/16 - 12 UN	14	135.5	73.5	29.5	41	7000307300	HF/90-SWE45-25-DN19-IL
25	1	-16	1 7/16 - 12 UN	19	160.5	86.5	31	41	7000307400	HF/90-SWE45-25-DN25-IL
31	1 1/4	-20	1 11/16 - 12 UN	25	178	98	34.5	50	7000307500	HF/90-SWE45-30-DN31-IL
38	1 1/2	-24	2 - 12 UN	31	209	117.5	39	60	7000307600	HF/90-SWE45-38-DN38-IL

MORFS 90

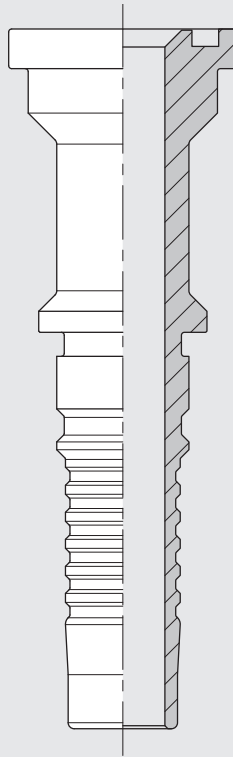
Hose Fittings with UN/UNF thread and front sealing (ORFS)

ISO 12151-1 (ISO 8434-3)



Hose size DN	Inch	Dash	d2 UN/UNF	dx	lg	lx	lh	SW	Order-No.	Designation
19	3/4	-12	1 3/16 - 12 UN	14	126	64	56	36	7000306700	HF/90-SWE-22-DN19-IL
19	3/4	-12	1 7/16 - 12 UN	14	126	64	60	41	7000306800	HF/90-SWE-25-DN19-IL
25	1	-16	1 7/16 - 12 UN	19	157.5	83.5	70.5	41	7000306900	HF/90-SWE-25-DN25-IL
31	1 1/4	-20	1 11/16 - 12 UN	25	174.5	94.5	76	50	7000307000	HF/90-SWE-30-DN31-IL
38	1 1/2	-24	2 - 12 UN	31	207	115.5	88.5	60	7000307100	HF/90-SWE-38-DN38-IL

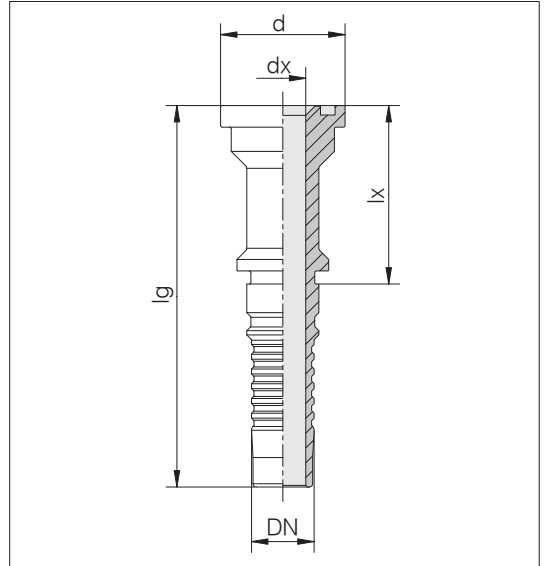
Hose fittings with SAE flange standard series (3000 psi)



MFL3

Hose fittings with SAE flange
standard series (3000 psi)

ISO 12151-3 (ISO 6162-1)

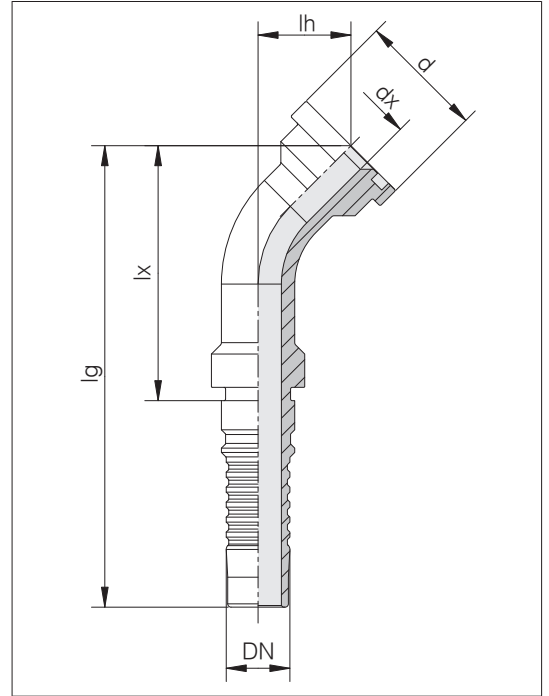


Fl. size Inch	Hose size			d	dx	lg	lx	Order-No.	Designation
	DN	Inch	Dash						
3/4	19	3/4	-12	38	14	116.5	54.5	7000097000	HF/F-S-DN19-3S3/4-IL
1	19	3/4	-12	44.5	14	119.5	57.5	7000097100	HF/F-S-DN19-3S1-IL
1	25	1	-16	44.5	19	135.5	61.5	7000097300	HF/F-S-DN25-3S1-IL
1 1/4	25	1	-16	50.8	19	138.5	64.5	7000097400	HF/F-S-DN25-3S1 1/4-IL
1 1/4	31	1 1/4	-20	50.8	25	148.5	68.5	7000097500	HF/F-S-DN31-3S1 1/4-IL
1 1/2	31	1 1/4	-20	60.3	25	151.5	71.5	7000097600	HF/F-S-DN31-3S1 1/2-IL
1 1/2	38	1 1/2	-24	60.3	31	166.5	75	7000097700	HF/F-S-DN38-3S1 1/2-IL
2	38	1 1/2	-24	71.4	31	169.5	78	7000097800	HF/F-S-DN38-3S2-IL
2	51	2	-32	71.4	42	183.5	79.5	7000097900	HF/F-S-DN51-3S2-IL

MFL3 45

Hose fittings with SAE flange
standard series (3000 psi)

ISO 12151-3 (ISO 6162-1)



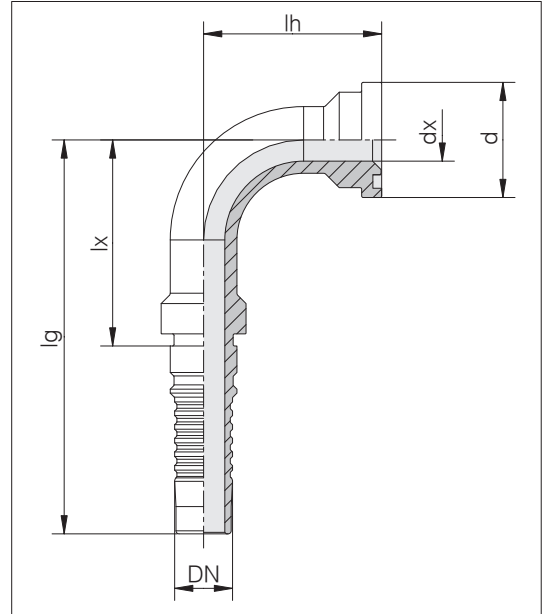
Fl. size Inch	Hose size			d	dx	lg	lx	lh	Order-No.	Designation
	DN	Inch	Dash							
3/4	19	3/4	-12	38	14	132.5	70.5	27.5	7000098000	HF/F-E45-DN19-3S3/4-IL
1	19	3/4	-12	44.5	14	134.5	72.5	29.5	7000098100	HF/F-E45-DN19-3S1-IL
1	25	1	-16	44.5	19	159	85	28.5	7000098400	HF/F-E45-DN25-3S1-IL
1 1/4	25	1	-16	50.8	19	161	87	30.5	7000098300	HF/F-E45-DN25-3S11/4-IL
1 1/4	31	1 1/4	-20	50.8	25	181.5	101.5	34.5	7000098500	HF/F-E45-DN31-3S11/4-IL
1 1/2	31	1 1/4	-20	60.3	25	187	107	37.5	7000098600	HF/F-E45-DN31-3S11/2-IL
1 1/2	38	1 1/2	-24	60.3	31	212.5	121	41.5	7000098700	HF/F-E45-DN38-3S11/2-IL
2	38	1 1/2	-24	71.4	31	233.5	142	58.5	7000098800	HF/F-E45-DN38-3S2-IL ²⁾
2	51	2	-32	71.4	41	261.5	157.5	58.5	7000098900	HF/F-E45-DN51-3S2-IL

²⁾ Special sizes only on request

MFL3 90

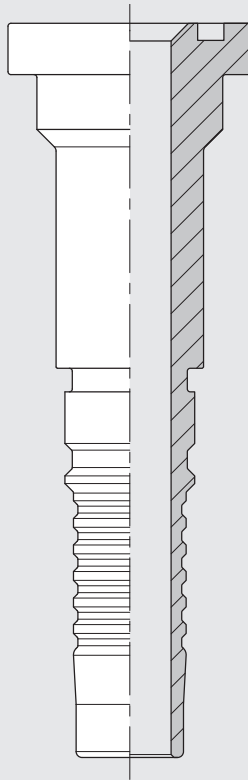
Hose fittings with SAE flange
standard series (3000 psi)

ISO 12151-3 (ISO 6162-1)



Fl. size Inch	Hose size			d	dx	lg	lx	lh	Order-No.	Designation
	DN	Inch	Dash							
3/4	19	3/4	-12	38	14	127.5	65.5	58	7000099000	HF/F-E-DN19-3S3/4-IL
1	19	3/4	-12	44.5	14	127.5	65.5	61	7000099100	HF/F-E-DN19-3S1-IL
1	25	1	-16	44.5	19	158	84	67	7000099300	HF/F-E-DN25-3S1-IL
1 1/4	25	1	-16	50.8	19	155	81	70.5	7000099400	HF/F-E-DN25-3S11/4-IL
1 1/4	31	1 1/4	-20	50.8	25	180.5	100.5	79.5	7000099500	HF/F-E-DN31-3S11/4-IL
1 1/2	31	1 1/4	-20	60.3	25	182	102	87	7000099600	HF/F-E-DN31-3S11/2-IL
1 1/2	38	1 1/2	-24	60.3	31	208.5	117	99	7000099700	HF/F-E-DN38-3S11/2-IL
2	38	1 1/2	-24	71.4	31	218	126.5	104	7000099800	HF/F-E-DN38-3S2-IL
2	51	2	-32	71.4	41	248.5	144.5	122.5	7000099900	HF/F-E-DN51-3S2-IL

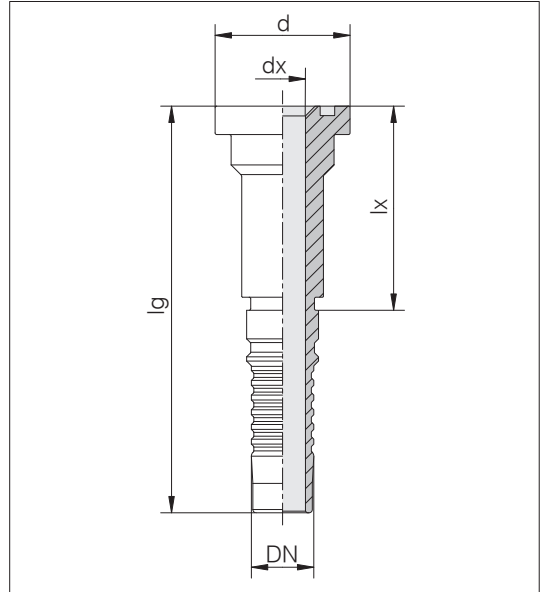
Hose fittings with SAE flange high pressure series (6000 psi)



MFL6

Hose fittings with SAE flange
high pressure series (6000 psi)

ISO 12151-3 (ISO 6162-2)

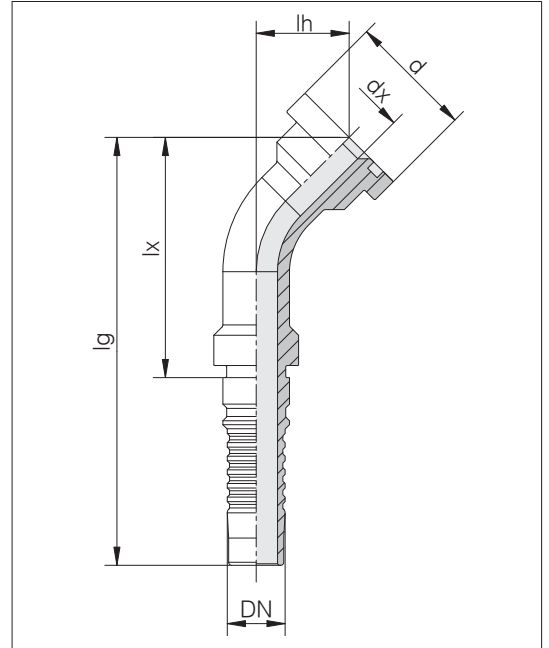


Fl. size Inch	Hose size			d	dx	lg	lx	Order-No.	Designation
	DN	Inch	Dash						
3/4	19	3/4	-12	41.3	14	124.5	62.5	7000100000	HF/F-S-DN19-6S3/4-IL
3/4	25	1	-16	41.3	14	137.5	63.5	7000100200	HF/F-S-DN25-6S3/4-IL
1	19	3/4	-12	47.6	14	129	67	7000100100	HF/F-S-DN19-6S1-IL
1	25	1	-16	47.6	19	146.5	72.5	7000100300	HF/F-S-DN25-6S1-IL
1	31	1 1/4	-20	47.6	19	153.5	73.5	7002296900	HF/F-S-DN31-6S1-IL
1 1/4	25	1	-16	54	19	151	77	7000100400	HF/F-S-DN25-6S1 1/4-IL
1 1/4	31	1 1/4	-20	54	25	162.5	82.5	7000100500	HF/F-S-DN31-6S1 1/4-IL
1 1/4	38	1 1/2	-24	54	25	174.5	83	7002297000	HF/F-S-DN38-6S1 1/4-IL
1 1/2	31	1 1/4	-20	63.5	25	167	87	7000100600	HF/F-S-DN31-6S1 1/2-IL
1 1/2	38	1 1/2	-24	63.5	31	183.5	92	7000100700	HF/F-S-DN38-6S1 1/2-IL
1 1/2	51	2	-32	63.5	31	199	95	7002297100	HF/F-S-DN51-6S1 1/2-IL
2	38	1 1/2	-24	79.4	31	188	96.5	7002297200	HF/F-S-DN38-6S2-IL
2	51	2	-32	79.4	42	202	98	7000100800	HF/F-S-DN51-6S2-IL

MFL6 45

Hose fittings with SAE flange
high pressure series (6000 psi)

ISO 12151-3 (ISO 6162-2)

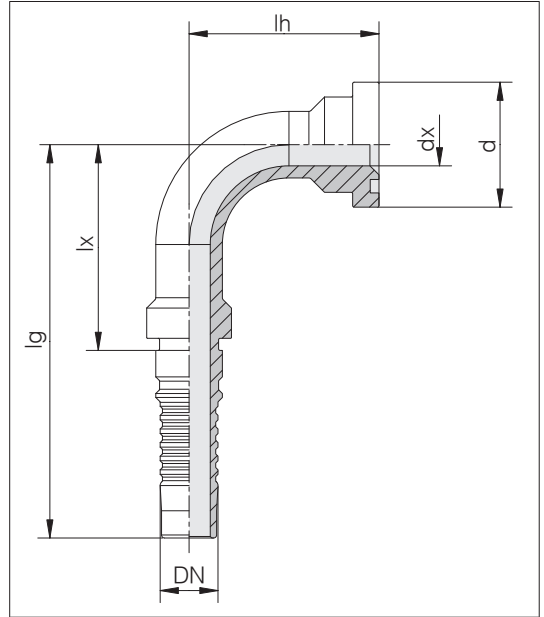


Fl. size Inch	Hose size			d	dx	lg	lx	lh	Order-No.	Designation
	DN	Inch	Dash							
3/4	19	3/4	-12	41.3	14	135.5	73.5	30	7000100900	HF/F-E45-DN19-6S3/4-IL
3/4	25	1	-16	41.3	14	150.5	76.5	30	7002297600	HF/F-E45-DN25-6S3/4-IL
1	19	3/4	-12	47.6	14	139.5	77.5	34.5	7000101000	HF/F-E45-DN19-6S1-IL
1	25	1	-16	47.6	19	164	90	33.5	7000101200	HF/F-E45-DN25-6S1-IL
1	31	1 1/4	-20	47.6	19	173.5	93.5	33.5	7000072300	HF/F-E45-DN31-6S1-IL
1 1/4	25	1	-16	54	19	169	95	38.5	7000101300	HF/F-E45-DN25-6S1 1/4-IL
1 1/4	31	1 1/4	-20	54	25	191	111	41.5	7000101400	HF/F-E45-DN31-6S1 1/4-IL
1 1/4	38	1 1/2	-24	54	25	205	113.5	41.5	7002297700	HF/F-E45-DN38-6S1 1/4-IL
1 1/2	31	1 1/4	-20	63.5	25	197	117	47.5	7000101500	HF/F-E45-DN31-6S1 1/2-IL
1 1/2	38	1 1/2	-24	63.5	31	222	130.5	49	7000101600	HF/F-E45-DN38-6S1 1/2-IL
2	38	1 1/2	-24	79.4	31	236	144.5	61	7002297800	HF/F-E45-DN38-6S2-IL
2	51	2	-32	79.4	41	275	171	64.5	7000101700	HF/F-E45-DN51-6S2-IL

MFL6 90

Hose fittings with SAE flange
high pressure series (6000 psi)

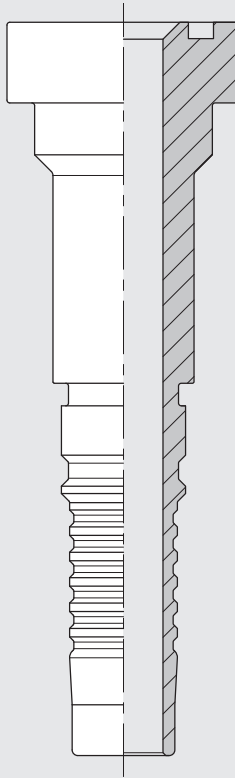
ISO 12151-3 (ISO 6162-2)



Fl. size Inch	Hose size			d	dx	lg	lx	lh	Order-No.	Designation
	DN	Inch	Dash							
3/4	19	3/4	-12	41.3	14	127.5	65.5	62	7000101800	HF/F-E-DN19-6S3/4-IL
3/4	25	1	-16	41.3	14	142.5	68.5	62	7002297300	HF/F-E-DN25-6S3/4-IL
1	19	3/4	-12	47.6	14	127.5	65.5	68	7000101900	HF/F-E-DN19-6S1-IL
1	25	1	-16	47.6	19	154.5	80.5	74	7000102100	HF/F-E-DN25-6S1-IL
1	31	1 1/4	-20	47.6	19	164	84	74	7000073900	HF/F-E-DN31-6S1
1 1/4	25	1	-16	54	19	156	82	83.5	7000102200	HF/F-E-DN25-6S11/4-IL
1 1/4	31	1 1/4	-20	54	25	182	102	93	7000102300	HF/F-E-DN31-6S11/4-IL
1 1/4	38	1 1/2	-24	54	25	196	104.5	93	7002297400	HF/F-E-DN38-6S11/4-IL
1 1/2	31	1 1/4	-20	63.5	25	182	102	101.5	7000102400	HF/F-E-DN31-6S11/2-IL
1 1/2	38	1 1/2	-24	63.5	31	213.5	122	110	7000102500	HF/F-E-DN38-6S11/2-IL
2	38	1 1/2	-24	79.4	31	215.5	124	126	7002297500	HF/F-E-DN38-6S2-IL ²⁾
2	51	2	-32	79.4	41	250.5	146.5	141	7000102600	HF/F-E-DN51-6S2-IL

²⁾ Special sizes only on request

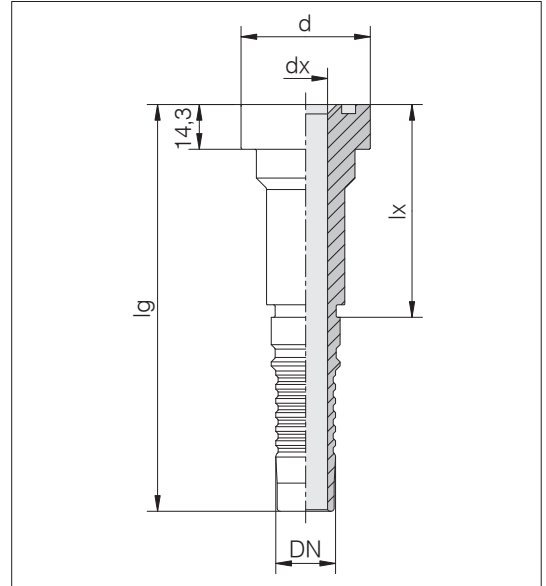
Hose fittings with flange high pressure series (9000 psi)



MFLCAT

Hose fittings with flange
high pressure series (9000 psi)

ISO 12151-3 (ISO 6162-2)

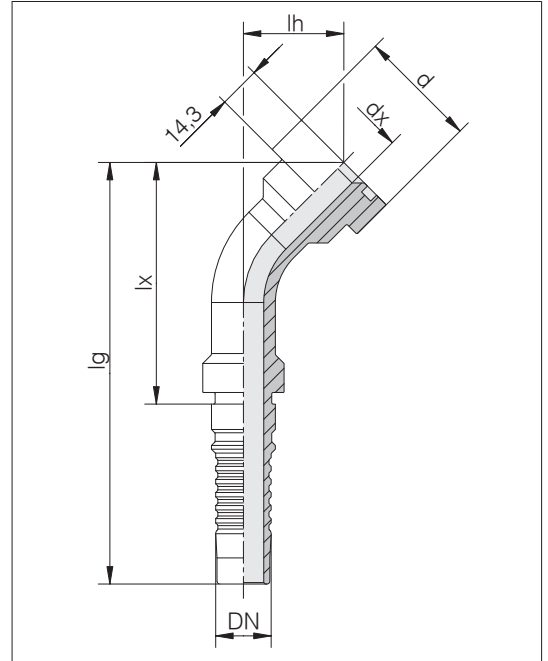


Fl. size Inch	Hose size			d	dx	lg	lx	Order-No.	Designation
	DN	Inch	Dash						
3/4	19	3/4	-12	41.3	14	130	68	7000309800	HF/F-CS-DN19-6S3/4-IL
1	19	3/4	-12	47.6	14	133.5	71.5	7000309900	HF/F-CS-DN19-6S1-IL
1	25	1	-16	47.6	19	150	76	7000310000	HF/F-CS-DN25-6S1-IL
1 1/4	25	1	-16	54	19	155	81	7000310100	HF/F-CS-DN25-6S11/4-IL
1 1/4	31	1 1/4	-20	54	25	166.5	86.5	7000310200	HF/F-CS-DN31-6S11/4-IL
1 1/2	31	1 1/4	-20	63.5	25	168.5	88.5	7000310300	HF/F-CS-DN31-6S11/2-IL
1 1/2	38	1 1/2	-24	63.5	31	185	93.5	7000310400	HF/F-CS-DN38-6S11/2-IL

MFLCAT 45

Hose fittings with flange
high pressure series (9000 psi)

ISO 12151-3 (ISO 6162-2)



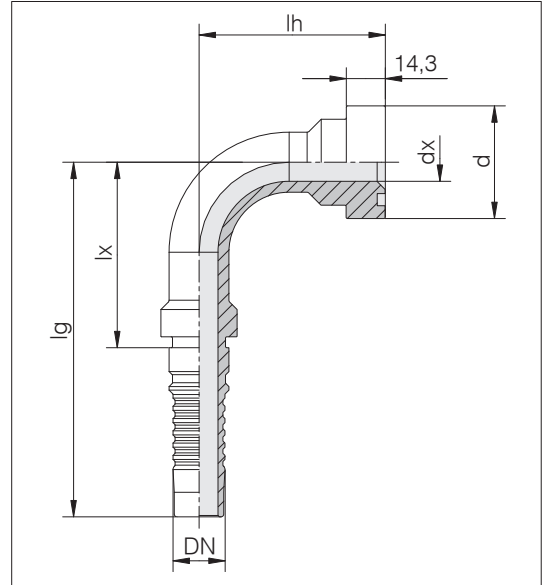
Fl. size Inch	Hose size			d	d _x	l _g	l _x	l _h	Order-No.	Designation
	DN	Inch	Dash							
3/4	19	3/4	-12	41.3	14	139	77	34	7000311200	HF/F-CE45-DN19-6S3/4-IL ²⁾
1	19	3/4	-12	47.6	14	143	81	37.5	7000311300	HF/F-CE45-DN19-6S1-IL ²⁾
1	25	1	-16	47.6	19	167	93	36.5	7000311400	HF/F-CE45-DN25-6S1-IL
1 1/4	25	1	-16	54	19	172	98	41.5	7000311500	HF/F-CE45-DN25-6S1 1/4-IL
1 1/4	31	1 1/4	-20	54	25	194	114	44.5	7000311600	HF/F-CE45-DN31-6S1 1/4-IL
1 1/2	31	1 1/4	-20	63.5	25	198	118	48.5	7000311700	HF/F-CE45-DN31-6S1 1/2-IL ²⁾
1 1/2	38	1 1/2	-24	63.5	31	224	132.5	51	7000311800	HF/F-CE45-DN38-6S1 1/2-IL ²⁾

²⁾ Special sizes only on request

MFLCAT 90

Hose fittings with flange
high pressure series (9000 psi)

ISO 12151-3 (ISO 6162-2)

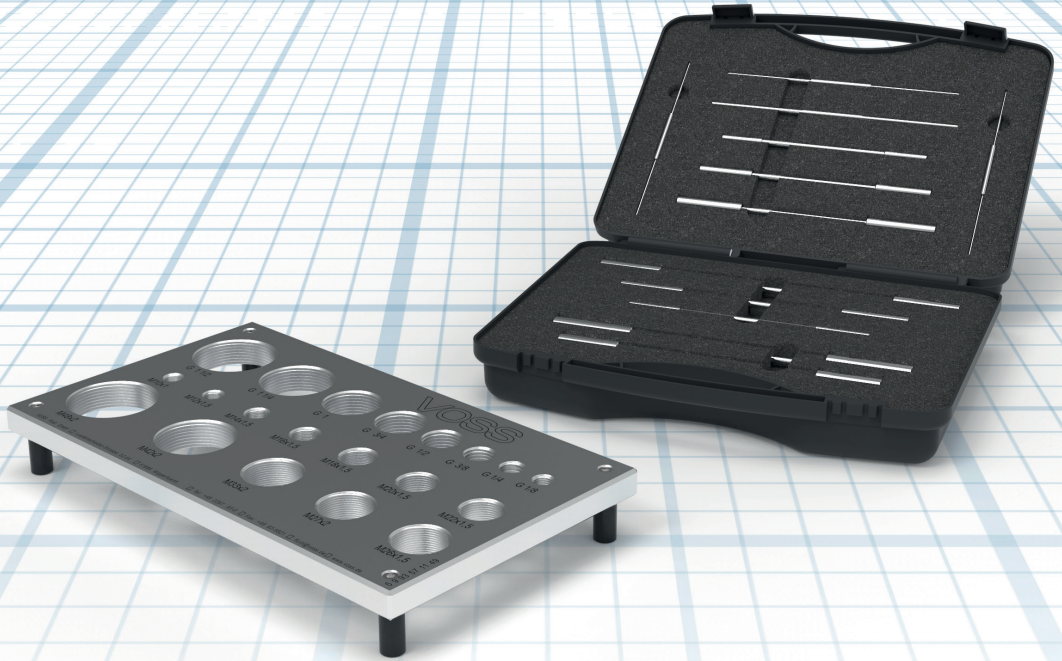


Fl. size Inch	Hose size			d	dx	lg	lx	lh	Order-No.	Designation
	DN	Inch	Dash							
3/4	19	3/4	-12	41.3	14	127.5	65.5	67.5	7000310500	HF/F-CE-DN19-6S3/4-IL
1	19	3/4	-12	47.6	14	127.5	65.5	72.5	7000310600	HF/F-CE-DN19-6S1-IL
1	25	1	-16	47.6	19	158	84	78.5	7000310700	HF/F-CE-DN25-6S1-IL
1 1/4	25	1	-16	54	19	158	84	85	7000310800	HF/F-CE-DN25-6S11/4-IL
1 1/4	31	1 1/4	-20	54	25	182	102	97	7000310900	HF/F-CE-DN31-6S11/4-IL
1 1/2	31	1 1/4	-20	63.5	25	182	102	103	7000311000	HF/F-CE-DN31-6S11/2-IL ²⁾
1 1/2	38	1 1/2	-24	63.5	31	214	122.5	111.5	7000311100	HF/F-CE-DN38-6S11/2-IL

²⁾ Special sizes only on request



Tools and accessories



Content	Type/Page	
Product information gauges	P.157	
Inspections gauges	TGHCC	TIB
	P.158	P.159



Precise checking of gauge accuracy

For a simple and precise check of the crimping of VOSS Fluid hose fittings.

The mandrel reference gauges are used to easily and precisely check the correct crimping of VOSS Fluid hose fittings and are available as a complete kit including illustrated operating instructions.

The case contains test mandrels, which are divided into standard and pull-off proof fittings (Interlock) depending on the series. With the help of the operating instructions, it is easy to evaluate the test results of the pressed hose fitting. For better understanding, the entire test procedure is explained both in text and pictures in the operating instructions.



Prevent size confusion

VOSS thread gauge board for determining threaded studs

The VOSS thread gauge board facilitates the determination of metric and imperial or UN/UNF and NPT threaded studs and thus prevents the danger of confusion.

Due to the high geometrical similarity of metric and imperial threads or UN/UNF and NPT, they are sometimes difficult to differentiate. Some threads can also be screwed into seemingly correct threaded bores. Since mix-ups of this kind can lead to hazards for both people and the environment, we recommend compliance with the instructions in the various norms.

With the VOSS thread gauge board, the threads can be checked once again for their correct form before use.

Mandrel gauges

For a simple and precise check of the crimping of VOSS fluid hose fittings



Type	Order-No.	Designation
Mandrel gauge case complete	7004791900	SC/HF-TGHCC-DN05-DN51

Thread gauge board

For determining thread sizes of threaded studs

Metric fine thread, cylindrical
M 10 x 1 - M 48 x 2

Inch-size BSPP thread, cylindrical
G 1/8" - G 1 1/2"

UN/UNF, cylindrical
7/16-20 UNF-2 - 1 7/8-12 UN-2A

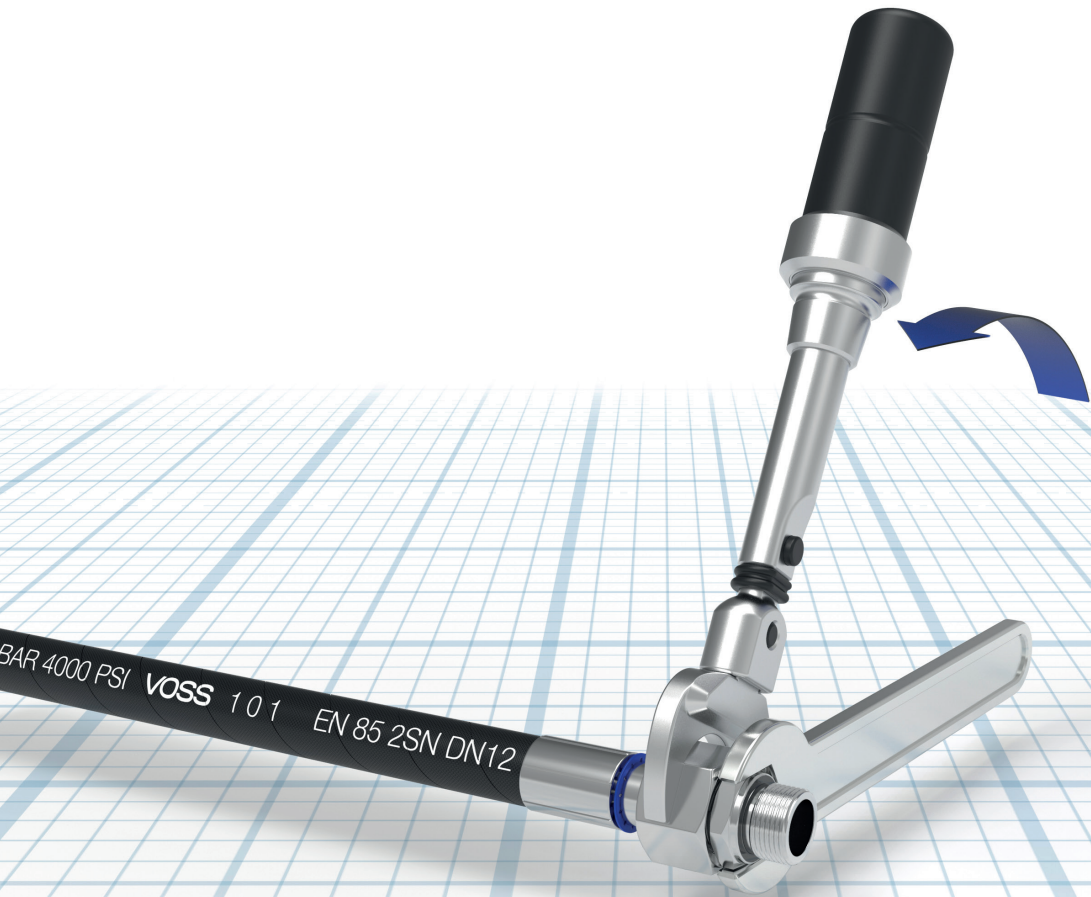
NPT thread, tapered
1/8 NPT - 1 1/2 NPT



Type	Order-No.	Designation
Metric / Inch	5993571149	TD-TIB
UN/UNF / NPT	7004123800	TD-TIB2

Assembly instructions

For reliable and correct pre- and final assembly



Content Type/Page

Important notes on VOSS
assembly instructions P.164

Length determination of hose
assemblies P.166

Installation instructions for hose
assemblies according to ISO 8331 P.167

Assembly instructions for pressing
the hose P.168

Test instructions for crimping of
VOSS Fluid hose fittings P.170

Assembly instructions DKOL /
DKOS P.176

Assembly instructions DKR and
DKOR P.178



Content	Type/Page
---------	-----------

Assembly instructions ORFS	P.180
----------------------------	-------

Assembly instructions DKJ	P.181
---------------------------	-------

Assembly instructions flanges	P.182
-------------------------------	-------

Important notes on VOSS assembly instructions

To achieve the greatest possible performance security and functional reliability of the VOSS products it is mandatory to comply with every assembly instruction, the operating conditions and the tube recommendations.

Do not start assembly until you are sure that you have understood the operating and assembly instructions for the individual VOSS products and accessories. Incorrect handling can lead to risks for the safety and leak tightness and can lead to the complete failure of the connection.

Neither compliance with the operating and assembly instructions nor the conditions and methods for installation, operation, use and maintenance of the individual products can be monitored by the manufacturer. Improper execution can lead to property damage and as a consequence can endanger persons. Therefore VOSS Fluid GmbH does not accept any responsibility and liability whatsoever for losses, damages or costs that result from or are in any way related to incorrect installation, improper operation and false use and incorrect maintenance. Non-compliance results in the loss of the warranty.

VOSS Fluid GmbH reserves the right to make changes and additions to the information provided without prior notification. If required, please request the latest version of the operating and assembly instructions or visit our download section at: **www.voss-fluid.net**.

General information on VOSS assembly instructions

Before and during the entire assembly process always pay attention to the cleanliness of all components including the tubes and hoses. Dirt can lead to the failure of the system.

Before assembly, make sure all preparatory measures have been taken as per the respective instructions.

The current version of the crimping dimensions can be found at: **www.voss-fluid.net**.

Tube and hose preparation should always be carried out as conscientiously as the actual pre- and final assembly of the connection. When starting to assemble VOSS components with elastomer seals, you must check the following:

- Cleanliness and damage-free condition of the groove and/or contact surface
- Cleanliness and damage-free condition of the elastomer seals

Determination of the tightening torques for screw couplings

The tightening torques contained in the catalog apply under the following conditions:

- Steel couplings with VOSS coat surface coating.
- The specified nominal pressure ratings assume a tensile strength of the mating material of $\geq 600 \text{ N/mm}^2$.
- Comply with our recommendations on lubrication of the threaded studs.

For other strength, elasticity module and friction coupling values the tightening torques have to be empirically adapted by the user.

Compliance with the recommended tightening torques is the prerequisite for the full utilization of the pressure specifications and the corresponding safety.

The tightening torques for the threads are listed as recommendations in the table for the corresponding coupling types.

Explanation of the symbols and further notes



Visual inspection



Tighten with a tool according to the instructions



Tighten hand-tight or perform other manual work



Oil, lubricate at the point marked with an arrow

All dimensions in millimeters [mm].

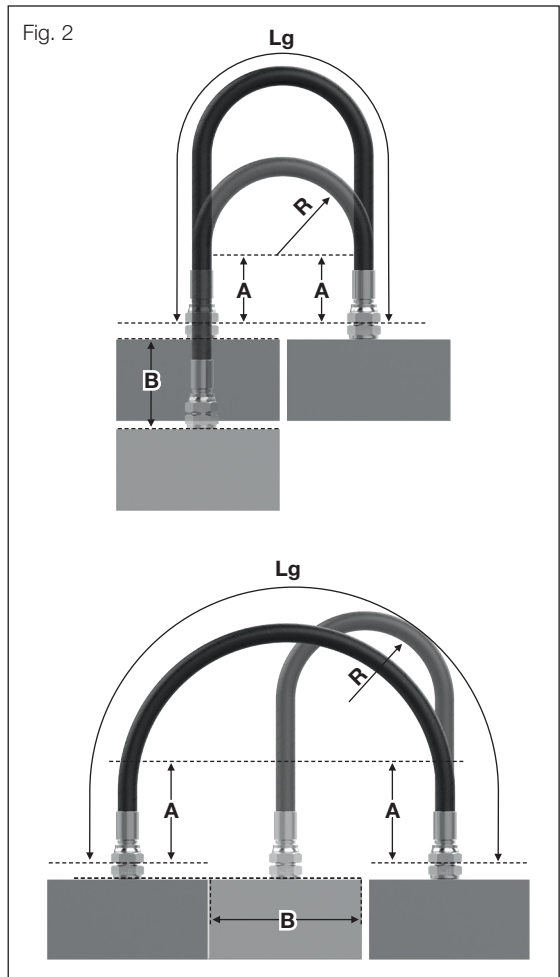
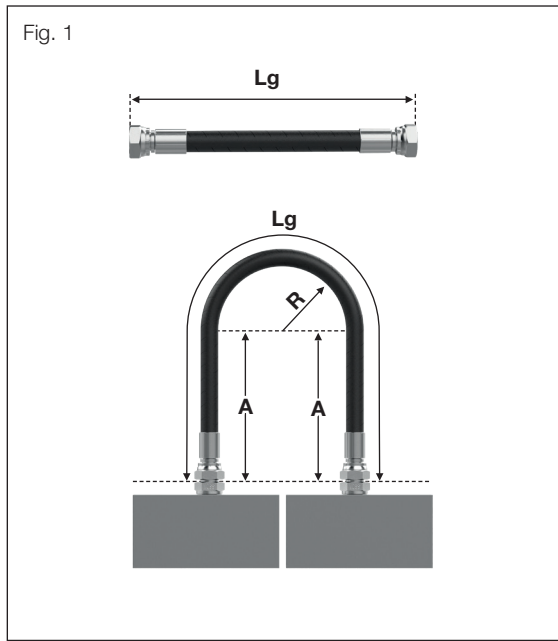
Hose assembly technology

Length determination of hose assemblies

Please follow the following instructions to achieve an optimum service life of the hose assemblies.

- The minimum length of a hose corresponds to approx. 8 times the outer diameter for steel wire hoses and approx. 6 times for hoses with textile inserts.
- The bending radius under maximum operating pressure must not be less than the hose manufacturer's specifications.
- Assembly without movement (Fig. 1) $L_g = 2A + \pi * R$
- Assembly with movement (Fig. 2) $L_g = 2A + \pi * R + B$

DN	1/4"	5/16"	3/8"	1/2"	5/8"	3/4"	1"	1 1/4"	1 1/2"	2"
A mm	100	110	120	130	140	150	170	200	230	260



R = Bending radius, A = Straight hose length, Lg = Length of hose assembly, π = Pi



Installation instructions for hose assemblies according to ISO 8331

- Avoid tensile stress and twisting
- Do not bend hose assemblies excessively – use angle fittings if necessary
- Note minimum bending radius
- Hose assemblies should follow the natural hose bend as far as possible



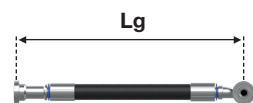
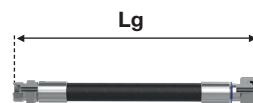
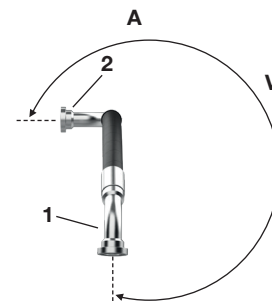
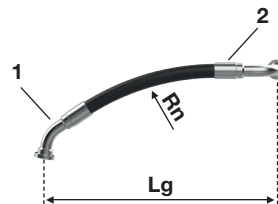
Attention!
Not like this:



Length determination and alignment of hose assemblies with bent fittings

The twisting angle between two bend fittings of a hose assembly is only stated if they are mounted offset to each other or if one or more bend fittings do not follow the natural hose bend R_n . If the rear bend fitting (2), in contrast to the front fitting (1), does not follow the natural hose bend, a torsion angle "V" for the rear fitting (2) must be specified counterclockwise (see DIN 20066).

The total length of a hose assembly is measured between the taper coupling of the fittings.



Assembly instructions for pressing the hose

1 Notes



Before starting assembly, please check the general information in the current VOSS catalog and ensure that the assembly instructions are up to date!

The compression values in the VOSS Swaging Diameter Chart dimensions are the basis for every crimping of hydraulic hoses with VOSS hose fittings. The current version of the overview can be found at any time at www.voss-fluid.net. The following instructions apply exclusively to hydraulic hoses with steel spiral or braided inserts.

2 Hose preparation

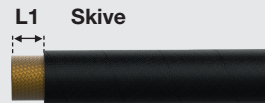


Assembly of standard hose assemblies with or without skive ferrule (Skive, No Skive)

1. Saw off the hose at right angles. Use a suitable sawing device for this purpose. Cut off the first and last centimeters of each new hose roll. Remove any dirt particles from the hose.



2. Then remove the upper material (rubber), if necessary, except for the wire mesh without damaging it. The skiving length "L1" is indicated in the Swaging Diameter Chart with a tolerance of ± 1 mm. This step is not necessary for No Skive fittings.



3. Push the ferrule onto the end of the hose, then push the foot of the hose fitting into the end of the hose. If necessary, lubricate the nipples with hydraulic oil (e.g. mineral oil-based HLP46) to facilitate assembly. Make sure that the hose is in the correct position.



4. When crimping, take the specifications from the Swaging Diameter Chart. The crimping diameter must be checked and the collapse of the inner bore of the nipple must be verified with the VOSS mandrel gauges.



Attention!

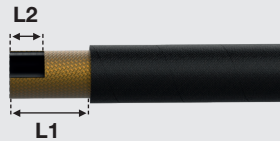
When starting a new hose reel, check the hose diameter and adjust the crimping dimensions if necessary.

Assembly of interlock hose assemblies with inner and outer skiving ferrules (Double Skive)

1. Saw off the hose at right angles. Use a suitable sawing device for this purpose. Cut off the first and last centimeters of each new hose roll. Remove any dirt particles from the hose.



2. Remove the upper material (rubber) in the specified length "L1" except for the wire mesh without damaging it. Then skive the tube core according to the instructions. The skiving lengths "L1" and "L2" are stated in the Swaging Diameter Chart with a tolerance of ± 1 mm.



3. Push the ferrule onto the end of the hose, then push the foot of the hose fitting into the end of the hose. If necessary, lubricate the nipples with hydraulic oil (e.g. mineral oil-based HLP46) to facilitate assembly. Make sure that the hose is in the correct position.



4. When crimping, take the specifications from the Swaging Diameter Chart. The crimping diameter must be checked and the collapse of the inner bore of the nipple must be verified with the VOSS mandrel gauges.



Attention!

When starting a new hose reel, check the hose diameter and adjust the crimping dimensions if necessary.

Test instructions for crimping of VOSS Fluid hose fittings



Note

The compression values in the VOSS Swaging Diameter Chart are the basis for every crimping of hydraulic hoses with VOSS hose fittings. The current version of the overview can be found at any time at www.voss-fluid.net.

1 Selecting the test mandrel

Series: NPS3 (Standard)



The inspection gauges are differentiated by braided sleeving and the spiral hose. Every nominal width can be allocated to an inspection gauge.

Care must be taken to select the correct side depending on the type of hose (see marking on the test mandrel)



Braided hose



Spiral hose

Series: NPS8 (Interlock)



The inspection gauges of the pull-off proof fittings (Interlock) are suitable for two different nominal diameters as indicated by the marking. Make sure that the correct side is selected per size.

2 Test procedure

- Insert the test mandrel as far as possible in the fitting and mark the position reached with your finger on the shaft (make sure that the gauge side is correct!).
- Now pull the gauge out of the fitting and continue to keep your finger on the marked position (cf. Figure 1).
- Check for the correct position of the test mandrel by holding the inspection gauge on the fitting from the outside (cf. Figure 2).
- The correct test result is obtained when the circumferential marking groove of the test mandrel is close to the center of the swaged ferrule.

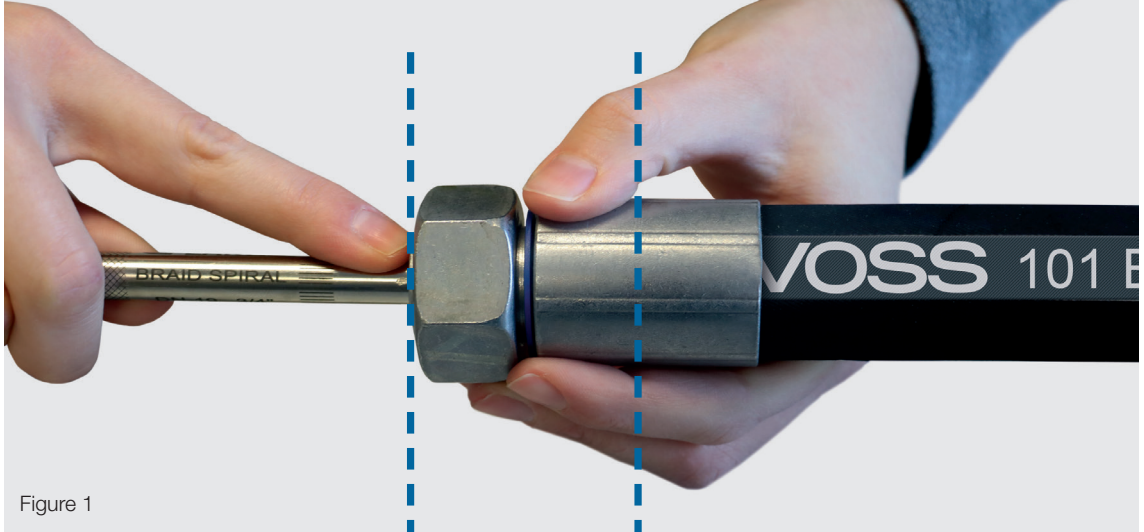


Figure 1

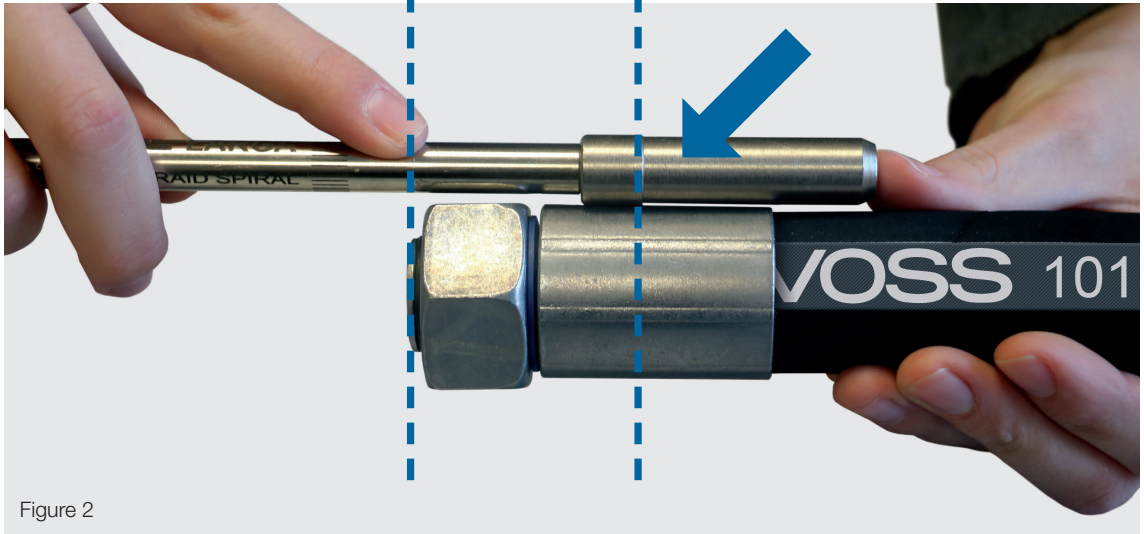


Figure 2

3 Evaluation of different test results

Ideal nipple inset

The gauge stays plugged in the fitting nearly centered. The fitting was correctly injected and the press diameter should not be changed. We recommend checking the press diameters during production, so that tolerance fluctuations can be detected in good time. In any case, the press diameter must be checked when changing a hose batch!



Nipple inset insufficient

The gauge can be freely pushed through the fitting. The fitting was not sufficiently pressed. The press diameter has to be further reduced.

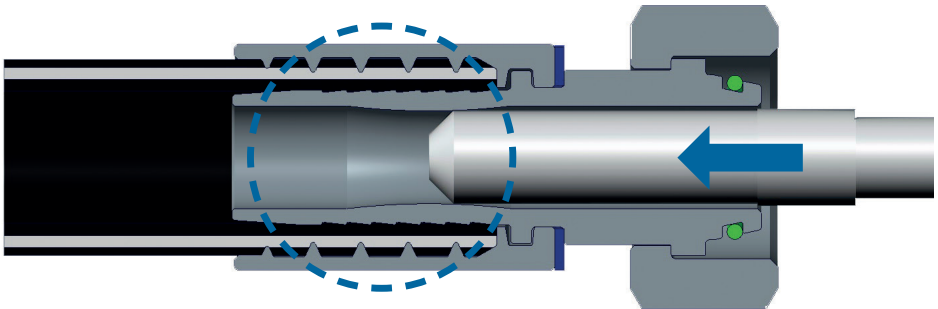
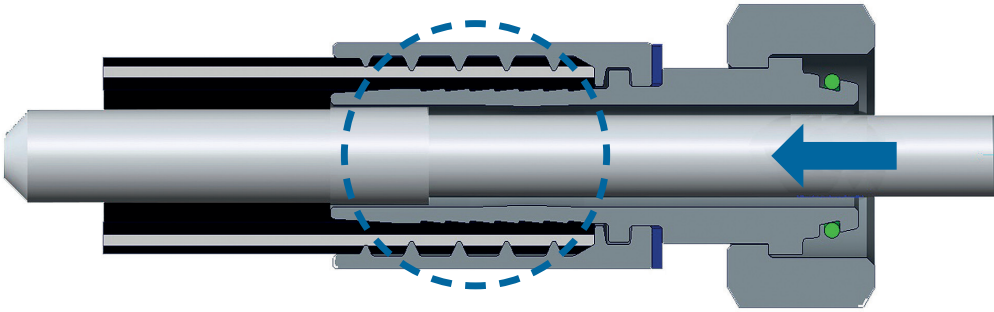
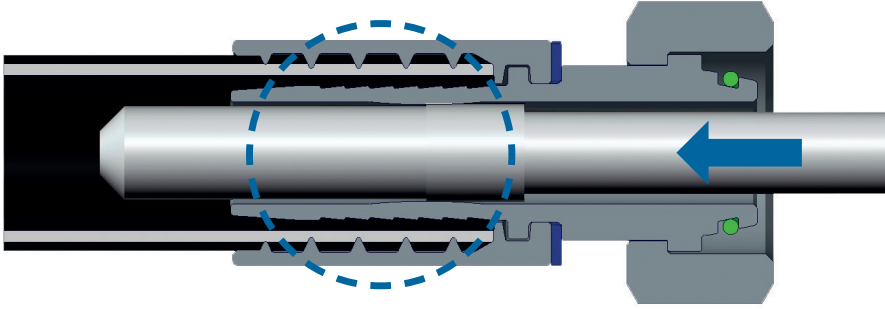
Attention: The injection is not functioning!



Nipple inset too strong

The gauge can only be slightly inserted into the fitting. The fitting has been compressed too much. The press diameter must be selected larger.

Attention: The injection is not functioning!



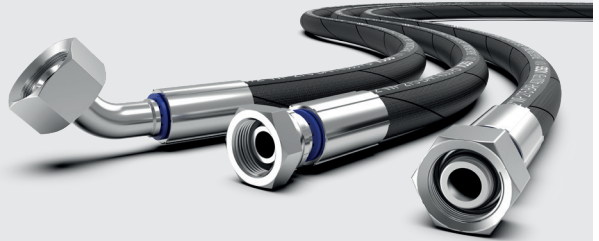
Assembly instructions DKOL / DKOS

1 Notes



Before starting assembly, please check the general information in the current VOSS catalog and ensure that the assembly instructions are up to date!

These assembly instructions describe the final assembly of VOSS hose fittings according to ISO 12151-2 (ISO 8434-1)



2 Assembly of the taper couplings



Assembly procedure

1. Check whether the O-ring is seated without twisting in the groove of the taper coupling.
2. Lightly apply lubricant (e.g. mineral oil-based hydraulic oil HLP46) to the thread, cone surface and O-ring!
3. Insert the taper in the aligned condition into the cone.

Attention!

After this, no further directional correction may be made.

4. Tighten union nut hand-tight.
5. Then finish mounting the union nut depending on displacement or torque.

Attention!

The connection is tightened via the union nut and not via the counter-connection. A marking line on the union nut and the union body eases compliance with the tightening distance.



3 Assembly requirements

As an alternative to distance-dependent mounting, torque-dependent mounting is also possible. The tightening torques are recommended values. They were ascertained under the following conditions: VOSS coat coating, waxed union nut, taper, O-ring and thread oiled.

Series	Tube OD [mm]	Union nut thread	Distance dependent assembly Revolutions	Tightening torque [Nm] ± 5 %
L	6	M 12 x 1.5	approx. 1/4	20
L	8	M 14 x 1.5	approx. 1/4	30
L	10	M 16 x 1.5	approx. 1/4	40
L	12	M 18 x 1.5	approx. 1/4	50
L	15	M 22 x 1.5	approx. 1/4	70
L	18	M 26 x 1.5	approx. 1/4	90
L	22	M 30 x 2	approx. 1/4	120
L	28	M 36 x 2	approx. 1/4	160
L	35	M 45 x 2	approx. 1/4	250
L	42	M 52 x 2	approx. 1/4	380
S	6	M 14 x 1.5	approx. 1/4	25
S	8	M 16 x 1.5	approx. 1/4	40
S	10	M 18 x 1.5	approx. 1/4	50
S	12	M 20 x 1.5	approx. 1/4	60
S	16	M 24 x 1.5	approx. 1/4	85
S	20	M 30 x 2	approx. 1/4	140
S	25	M 36 x 2	approx. 1/4	190
S	30	M 42 x 2	approx. 1/4	270
S	38	M 52 x 2	approx. 1/4	400

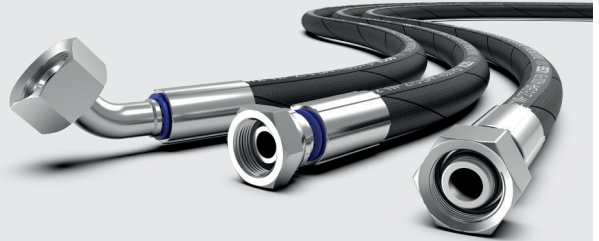
Assembly instructions DKR and DKOR

1 Notes



Before starting assembly, please check the general information in the current VOSS catalog and ensure that the assembly instructions are up to date!

These assembly instructions describe the final assembly of VOSS hose fittings according to ISO 12151-6 (ISO 8434-6).



2 Assembly of the taper couplings



Assembly procedure

1. Check whether the O-ring is seated without twisting in the groove of the taper coupling.
2. Lightly apply lubricant (e.g. mineral oil-based hydraulic oil HLP32) to the thread, surface and O-ring!
3. Insert the taper coupling in the aligned condition into the cone.

Attention!

After this, no further directional correction may be made.

4. Tighten union nut hand-tight.
5. Then finish mounting the union nut in a distance- or torque-dependent manner.

Attention!

The connection is tightened via the union nut and not via the counter-connection. A marking line on the union nut and the union body eases compliance with the tightening distance.



3 Assembly requirements

As an alternative to distance-dependent mounting, torque-dependent mounting is also possible. The tightening torques are recommended values. They were ascertained under the following conditions: VOSS coat coating, waxed union nut, taper, O-ring and thread oiled.

DKR

Union nut thread	Distance dependent assembly Revolutions	Tightening torque [Nm]
G 1/8"	approx. 1/6	10-15
G 1/4"	approx. 1/6	20-35
G 3/8"	approx. 1/6	35-45
G 1/2"	approx. 1/6	60-110
G 5/8"	approx. 1/6	80-120
G 3/4"	approx. 1/6	120-150
G 1"	approx. 1/6	140-200
G 1 1/4"	approx. 1/4	210-260
G 1 1/2"	approx. 1/4	290-340
G 2"	approx. 1/4	400-500

DKOR

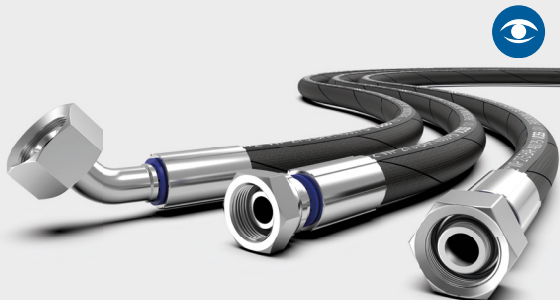
Union nut thread	Distance dependent assembly Revolutions	Tightening torque [Nm]
G 1/8"	approx. 1/6	10-15
G 1/4"	approx. 1/6	20-35
G 3/8"	approx. 1/6	35-45
G 1/2"	approx. 1/6	50-110
G 5/8"	approx. 1/6	60-120
G 3/4"	approx. 1/6	85-150
G 1"	approx. 1/6	115-200
G 1 1/4"	approx. 1/6	180-260
G 1 1/2"	approx. 1/6	240-340
G 2"	approx. 1/6	320-500

Assembly instructions ORFS

1 Notes

Before starting assembly, please check the general information in the current VOSS catalog and ensure that the assembly instructions are up to date.

These assembly instructions describe the final assembly of VOSS hose fittings according to ISO 12151-1 (ISO 8434-3).



2 Assembly ORFS

Assembly procedure

1. Lightly apply lubricant (e.g. mineral oil-based hydraulic oil HLP46) to the thread and the O-ring seal.
2. Tighten union nut hand-tight.
3. Tighten the union nut with a torque wrench according to the table below.

Attention!

The connection is tightened via the union nut and not via the counter-connection.



3 Assembly requirements

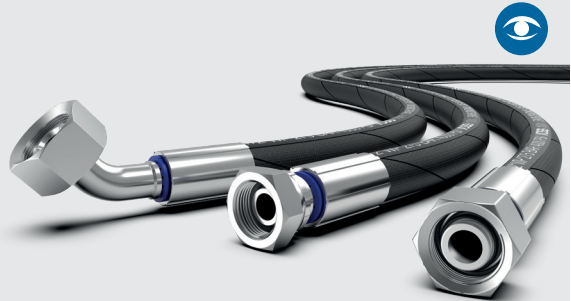
Union nut thread		Tightening torque [Nm]
9/16-18	UNF	15-18
11/16-16	UN	25-30
13/16-16	UN	45-55
1-14	UNS	60-70
1 3/16-12	UN	90-100
1 7/16-12	UN	125-140
1 11/16-12	UN	170-200
2-12	UN	200-230

Assembly instructions DKJ

1 Notes

Before starting assembly, please check the general information in the current VOSS catalog and ensure that the assembly instructions are up to date.

These assembly instructions describe the final assembly of VOSS hose fittings according to ISO 12151-5 (ISO 8434-2).



2 Assembly of the 37° taper

Assembly sequence

1. Lightly apply lubricant (e.g. mineral oil-based hydraulic oil HLP46) to the thread and surface!
2. Insert the taper surface in the aligned condition into the cone and hand tighten. After this, no further directional correction may be made.
5. Then finish mounting the union nut depending on displacement or torque.

Attention!

The connection is tightened via the union nut and not via the counter-connection. A marking line on the union nut and the union body eases compliance with the tightening distance.



3 Assembly requirements

Union nut thread	Distance dependent assembly Revolutions	Tightening torque [Nm]
7/16-20 UNF	approx. 1/6	10-18
1/2-20 UNF	approx. 1/6	15-25
9/16-18 UNF	approx. 1/6	20-35
3/4-16 UNF	approx. 1/6	40-55
7/8-14 UNF	approx. 1/6	75-110
1 1/16-12 UN	approx. 1/4	105-145
1 3/16-12 UN	approx. 1/4	140-210
1 5/16-12 UN	approx. 1/4	170-240
1 5/8-12 UN	approx. 1/4	220-360
1 7/8-12 UN	approx. 1/4	300-600
2 1/2-12 UN	approx. 1/4	400-650

Assembly instructions flanges

1 Notes



Before starting assembly, please check the general information in the current VOSS catalog and ensure that the assembly instructions are up to date!

These assembly instructions describe the final assembly of VOSS hose fittings according to ISO 12151-3 (ISO 6162).

2 Assembly of the SAE flange couplings



Assembly of the flange couplings

1. Lightly apply lubricant (e.g. mineral oil-based hydraulic oil HLP46) to the O-ring and hexagon socket screws.

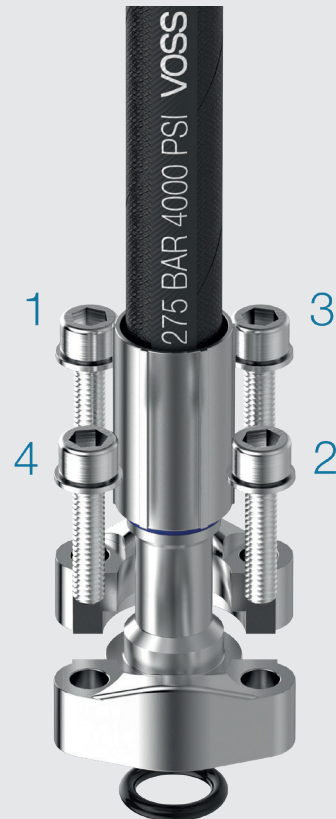
2. Carefully place the round sealing ring (O-ring) in the previously cleaned groove of the flange and tighten the flange evenly crosswise on the connecting surface by means of the 4 cheese head screws and the flange halves, observing the tightening torque.

Tightening torques

Cheese-head screw ISO 4762-10.9*	Tightening torque Nm** -10 %
M 8	25
M 10	50
M 12	85
M 14	135
M 16	210

* ISO 4762-10.9 (formerly DIN 912-10.9)

** Nm = Recommended tightening torques for M 8 - M 16 cheese head screws at coefficient of friction μ total: 0.14



General technical instructions

Technical comments · Sealing types and threaded parts



Content Type/Page

Technical notes P.186

Sealing materials P.187

Media, temperature resistance,
pressure ranges P.188

Maximum operating pressures for
hose fittings (NPS3) P.189

Maximum operating pressures for
hose fittings (NPS8) P.190

Media resistance of VOSS hose
fittings P.191

Materials of the soft seals
(elastomers) P.192

Content	Type/Page
---------	-----------

Ozone resistance of elastomer seals

P.193

Preventing faults and correcting malfunctions

P.194

Technical notes

General safety information

- The products listed in this catalog are intended exclusively for fluid technology applications. They cover the spectrum from normal to extreme operating conditions.
- The highest possible performance and functional reliability with VOSS products require that the respective assembly instructions, operating conditions and hose recommendations are followed. Non-compliance with these instructions can impair the function and leads to the loss of our warranty.
- Connecting elements under pressure must be neither tightened nor loosened. Attention, danger to life!
- Hose assemblies must be designed in such a way that they are stress-free when unassembled and all connecting elements can be easily fitted.
- Please always ensure cleanliness when handling hydraulic components. Contamination or damage can impair the function of individual components or the entire hydraulic system.
- Please observe the respective manufacturer's instructions when handling lubricants.
- When handling VOSS products, please always follow the respective operating instructions. Non-observance can lead to dangers for people and the environment.

Standardization

VOSS hose fittings correspond in design and dimensions to the latest version of the DIN 20066 standard and are available in various systems.

Permitted pressure

The pressure specifications listed in the VOSS catalog refer to the nominal pressure.

The nominal pressure (PN) indicates the maximum working pressure of the coupling. This is the highest pressure at which the system or part of the system is intended to operate under stationary conditions. For load tests, the burst pressure must be at least 4 times the nominal pressure.

The selection of hoses and associated fittings are pressure-limited. Hydraulic hoses usually have a safety factor of 4, i.e. the burst pressure is 4 times the working pressure. The system pressure must not exceed the operating pressures specified for hoses and fittings. It should be noted that continuous operation under severe conditions, such as high load changes, movements of the hose assembly or high temperatures, can impair the connection between hose and fitting and shorten the service life of the hose assembly. Test methods for hose assemblies can be found in the standards for hoses.

Permitted operating temperatures

Hose fittings

The temperature range from -40 °C to +120 °C applies to all steel threaded and flanged parts listed in this catalog (see also DIN 3859-1). If the temperature limits are exceeded, corresponding pressure reductions must be taken into account.

Sealing materials

NBR as standard (e.g. Perbunan®)

- For threaded connections and flared cones 70 - 80 Shore A
- For collar rings 90 Shore A
- Temperature range -35° C to +100° C

On request FKM (e.g. Viton®)

- For threaded connections, flared cones and collar rings 75 - 85 Shore A
- Temperature range -25° C to +200° C

For elastomer seals, the instructions in DIN 7716 (requirements for storage, cleaning and maintenance) must be complied with.

- Storage dry and not above +25° C
- Protect from sunlight, ozone and strong artificial light

Materials

In the standard version, VOSS hose fittings are manufactured from drawn steel in accordance with the technical delivery conditions as per DIN 3859-1.

Surface protection

All VOSS hose fittings are optimally protected against corrosion as standard with the VOSS coat finish.

The VOSS corrosion protection is based on a zinc nickel-base layer, a passivation and usually sealing.

Dimension specifications

The dimensions in the catalog are adapted to the current standards. We reserve the right to make changes due to technical development.

Patents

We refer to our domestic and foreign patents, utility models, trademarks and property right applications.

Certifications

Certifications See chapter 8.

Media resistance

The VOSS hose fittings are designed for the use of commercially available hydraulic oils up to +100 °C and compressed air up to +80 °C.

For critical media our customer service must be consulted before use.

Orders

All items listed in this catalog are delivered as shown. To improve stock keeping and to protect against dirt and damage, delivery is made in closed packaging units.

Orders should correspond to the contents of these packaging units. The quantities for the individual packaging units can be found in the current price list. If smaller quantities are required which are less than the contents of the packaging unit, we recommend that you purchase them from our dealers.

Our general terms and conditions apply as in **www.voss-fluid.net**.

Customer Service

Feel free to have our customer service department advise you. Please contact our sales department or one of our field representatives.

Media, temperature resistance, pressure ranges

Pressure reduction factors and temperatures

Pressure reductions within the permissible operating temperatures in °C	Material		
	Steel couplings	Seals of NBR (e.g. Perbunan®)	Seals of FKM (e.g. Viton®)
-60			
-50			
-40			
-35	0 %		
-25		0 %	
+20			0 %
+50			
+100			
+120			
+150	10 %		
+175	15 %		
+200	20 %		
+250	29 %		
+300			
+400			

Permitted operating temperatures
 Permissible ambient temperature for hydraulic applications
 Temperature not permitted

Seal resistance with hydraulic oils

Pressure fluids	Temperature resistance of the seals	
	VOSS NBR	VOSS FKM
HL, HLP, HVLP	-35 °C to +100 °C	-25 °C to +200 °C ⁴⁾
HTG, HETG (rapeseed oils)	up to +80 °C ¹⁾	up to +100 °C
HEPG (polyalkylene glycols) ⁵⁾	up to +80 °C ²⁾	up to +120 °C
HEES (synthetic ester oils)	up to +80 °C ³⁾	up to +120 °C

¹⁾ With rapeseed oil, even the smallest amount of water (0.5%) can destroy the suitability of the seals for use.

²⁾ Depending on the oil quality, excessive swelling of the seals and a reduction in low-temperature flexibility may occur.

³⁾ The range of available HEES oils leads to widely varying swelling rates of the seals. Therefore, general compatibility cannot be guaranteed.

⁴⁾ The temperature range -40 °C to +120 °C applies to screwed steel parts. Observe the application range of the hydraulic oils. E.g. flash point of HVLP +125 °C.

⁵⁾ HEPG only applicable up to +80 °C.



Maximum operating pressures for hose fittings

VOSS NPS 3 (Standard)

Fittings	Hose diameter																													
	5		6		8		10		12		16		19		25		31		38		51									
	DN Inch Dash	3/16" -03	1/4" -04	3/8" -05	1/2" -06	3/4" -08	5/8" -10	3/4" -12	1" -16	1 1/4" -20	1 1/2" -24	2" -32	THR.	BAR	THR.	BAR	THR.	BAR	THR.	BAR	THR.	BAR	THR.	BAR	THR.	BAR	THR.	BAR	THR.	BAR
BSP 60° ISO 12151-6 ISO 8434-6 BS 5200	1/8"	350 350*	1/4"	350 400*	3/8"	350 400*	3/8"	350 400*	1/2"	315 350*	5/8"	315 350*	3/4"	250 315*	1"	200 250*	1 1/4"	160 210*	1 1/2"	125 185*	2"	80 165*								
JIC 37° ISO 12151-5 ISO 8434-2 UNF-UN	7/16"	410	1/2"	410	9/16"	410	3/4"	345	7/8"	345	11/16"	345	11/16"	345	1 5/16"	275	1 5/8"	200	1 7/8"	170	2 1/2"	170								
ORFS ISO 12151-1 ISO 8434-3 UNF/UNS/UN			9/16"	630	11/16"	630	13/16"	410	1"	410	1"	410	13/16"	410	17/16"	410	1 11/16"	275	2"	275										
24° ISO 12151-2 ISO 8434-1 METRIC	L 6	415	L 8	400	L 10	350	L 12	330	L 15	315	L 18	315	L 22	215	L 28	165	L 35	160	L 42	160										
24° ISO 12151-2 ISO 8434-1 METRIC	S 8	630	S 10	630	S 12	630	S 14	630	S 16	420	S 20	420	S 25	420	S 30	420	S 38	315												
FLANGE - FLANGES ISO 12151-3 ISO 6162-1 ANSI J 518 S3000									1/2"	350			3/4"	350	1"	350	1 1/4"	276	1 1/2"	207	2"	207								
FLANGE - FLANGES ISO 12151-3 ISO 6162-2 ANSI J 518 S6000									1/2"	414			3/4"	414	1"	414	1 1/4"	414	1 1/2"	414	2"	414								
RING-TYPE NIPPLE (DIN 7642)	1/8"	200	1/4"	200	3/8"	200	3/8"	200	1/2"	200	5/8"	200	3/4"	200	1"	200														
			12	200	14	200	16	200	18	200	22	200	26	200																

* Sealing with O-ring

Maximum operating pressures for hose fittings

VOSS NPS 8 (Interlock)

Fittings	Hose diameter											
	16		19		25		31		38		51	
	DN Inch Dash		DN Inch Dash		DN Inch Dash		DN Inch Dash		DN Inch Dash		DN Inch Dash	
	THR.	BAR	THR.	BAR	THR.	BAR	THR.	BAR	THR.	BAR	THR.	BAR
BSP 60° ISO 12151-6 ISO 8434-6 BS 5200			3/4"	420	1"	420	1 1/4"	420	1 1/2"	420	2"	350
JIC 37° ISO 12151-5 ISO 8434-2 UNF-UN			1 1/16"	420	1 5/16"	420	1 5/8"	420	1 7/8"	420	2 1/2"	350
ORFS ISO 12151-1 ISO 8434-3 UNF/UNS/UN			1 3/16"	420	1 7/16"	420	1 11/16"	325	2"	290		
24° ISO 12151-2 ISO 8434-1 METRIC	S 20	420	S 25	420	S 30	420	S 38	420				
FLANGE - FLANGES ISO 12151-3 ISO 6162-1 ANSI J 518 S3000			3/4"	350	1"	350	1 1/4"	276	1 1/2"	207	2"	207
FLANGE - FLANGES ISO 12151-3 ISO 6162-2 ANSI J 518 S6000			3/4"	414	1"	414	1 1/4"	414	1 1/2"	414	2"	414

Hoses	DN	19	25	31	38	51
	Inch Dash	3/4" -12	1" -16	1 1/4" -20	1 1/2" -24	2" -32
EN 856 - 4SH ISO 3862-1 4SH		420	380	325	290	250
EN 856 - R13 ISO 3862 - 1 R13		350	350	350	350	350
SAE 100 - R15 ISO 3862 - 1 R15		420	420	420	420	



Media resistance of VOSS hose fittings

VOSS coat surface protection is resistant to all common hydraulic fluids. Due to the variety of application areas, VOSS Fluid products also come into contact with other media, such as advanced synthetic hydraulic oils, fuels, cleaning agents or lubricants, gases or aggressive bases and acids.

When using media which cannot be described as standard hydraulic oil in general mechanical engineering, we recommend checking their suitability in advance. Please note

that in addition to the pure resistance to the surface coatings used by VOSS Fluid, the compatibility of the elastomers and other hydraulic components are also taken into consideration.

A general overview which can only serve as a guide is shown in the following table:

Medium	Fitting material	Sealing material		
	Steel	NBR	FKM	EPDM
Acetone	Resistant	Resistant	Resistant	Resistant
Ethanol (ethyl alcohol)	Resistant	Resistant	Resistant	Resistant
Ether	Resistant	Resistant	Resistant	Resistant
ASTM – Oil no. 1	Resistant	Resistant	Resistant	Resistant
ASTM – Oil no. 2	Resistant	Resistant	Resistant	Resistant
ASTM – Oil no. 3	Resistant	Resistant	Resistant	Resistant
ASTM – Oil no. 4	Resistant	Resistant	Resistant	Resistant
Brake fluid	Resistant	Resistant	Resistant	Resistant
Gasoline	Resistant	Resistant	Resistant	Resistant
Benzene	Resistant	Resistant	Resistant	Resistant
Steam	Resistant	Resistant	Resistant	Resistant
Diesel fuel	Resistant	Resistant	Resistant	Resistant
Compressed air (dry)	Resistant	Resistant	Resistant	Resistant
Natural gas	Resistant	Resistant	Resistant	Resistant
Crude oil	Resistant	Resistant	Resistant	Resistant
Liquid propane (LPG)	Resistant	Resistant	Resistant	Resistant
Transmission oil	Resistant	Resistant	Resistant	Resistant
Glycol (ethylene glycol)	Resistant	Resistant	Resistant	Resistant
Heating oil	Resistant	Resistant	Resistant	Resistant
Hydraulic oils (mineral oil based) HL/HLP	Resistant	Resistant	Resistant	Resistant
Hydraulic oils (polyglycol based) HEPG	Resistant	Resistant	Temperature dependent	Resistant
Hydraulic oils (bio-oil based) HEES	Resistant	Temperature dependent	Resistant	Resistant
Hydraulic oils (synthet. esters) HEES	Resistant	Temperature dependent	Resistant	Resistant
Hydraulic oils HFC	Resistant	Resistant	Resistant	Resistant
Carbon dioxide	Resistant	Resistant	Resistant	Resistant
Carbon monoxide	Resistant	Resistant	Resistant	Resistant
Methane	Resistant	Resistant	Resistant	Resistant
Methanol (methyl alcohol)	Resistant	Resistant	Resistant	Resistant
Mineral oils	Resistant	Resistant	Resistant	Resistant
Natural gas untreated	Resistant	Resistant	Resistant	Resistant
Petroleum	Resistant	Resistant	Resistant	Resistant
Crude oil	Resistant	Resistant	Resistant	Resistant
Soap solution	Resistant	Resistant	Resistant	Resistant
Shell Naturelle, HF-E-46	Resistant	Resistant	Resistant	Resistant
Silicone oils	Resistant	Resistant	Resistant	Resistant
Skydrol 500	Resistant	Resistant	Resistant	Resistant
Skydrol 7000	Resistant	Resistant	Resistant	Resistant
Turpentine	Resistant	Resistant	Resistant	Resistant
Water	Resistant	Resistant	Resistant	Resistant
Seawater	Resistant	Resistant	Resistant	Resistant

■ resistant
 ■ conditionally resistant
 ■ not resistant
 * temperature dependent

Please note that the media resistance of the materials always depends on the temperature of the medium used.

Materials of the soft seals (elastomers)

Depending on the application, the use of different sealing materials may be necessary to ensure the highest protection against leakage. The selection of the suitable elastomer depends mainly on the media used and the temperature range.

VOSS Fluid designs the elastomers of the standard hose

fitting with the material NBR. The DKO fittings are supplied as standard with elastomers made of FKM (e.g. Viton®).

Optionally, VOSS Fluid also offers you other sealing materials.

Sealing material	Nitrile butadiene rubber	Hydrogenated NBR rubber	Fluorinated rubber	Ethylene propylene diene rubber
Abbreviation (Example trade designation)	NBR (e.g. Perbunan®)	HNBR	FKM (e.g. Viton®)	EPDM
Temperature range	-35 °C to +100 °C	-30 °C to +140 °C	-25 °C to +200 °C	-40 °C to +150 °C
Low temperatures	++	+	+	++
Media resistance	Good	Good	Very Good	Conditionally
Ozone resistance	Limited	Good	Very Good	Very Good

Please note that the function of elastomer seals is limited by external influences, media contact, friction or aging.

For this reason, you should check the elastomers for the following damage before assembly/pre-assembly and during maintenance or repair measures and replace them if necessary:

- Crack formation
- Rough or modified surface
- Deformation
- Hardening or softening
- Swelling
- Lack of elasticity

For elastomer seals, the instructions in DIN 7716 (requirements for storage, cleaning and maintenance) must be complied with.



Ozone resistance of elastomer seals

Ozone is a naturally occurring gas that protects the environment from the sun's UV radiation. However, ozone is also one of the strongest oxidizing agents and attacks practically all organic compounds. Especially elastomer sealing materials such as soft seals made of NBR are very susceptible to this. Even at low ozone concentrations in the air, product quality and service life can be significantly impaired.

Ozone splits the polymer chains of the sealing material, which increases the risk of crack formation even at low elongation (less than 10 %). Depending on the temperature range and humidity, this risk is even increased.

In its production and storage processes, VOSS Fluid always ensures the optimum conditions for the sealing materials that are used. For example, all seals are protected against heat sources, direct sunlight or contamination. Long storage times are also avoided.

Consequently, to prevent damage, the following instructions for the storage of sealing materials should be followed:

- The storage temperature of elastomers must be between +5 °C and +25 °C.
- During storage, deformation of the gaskets should be avoided.
- Seal materials should be protected from direct contact with heat or light sources. Direct sunlight or strong artificial light with ultraviolet components should also be avoided.
- Extremely humid or dry conditions must also be avoided. Condensation must not occur, so the relative humidity in storage rooms must be below 70 %.
- Packaging, especially plastic bags, must be UV-protected.
- Please note that ozone can also be produced by other sources. For this reason, the storage rooms should be free of mercury vapor lamps, high-voltage equipment, electric motors or other equipment with electric sparks or discharges. Combustion gases and organic gases should also be excluded.
- Elastomer seals should not come into contact with solvents, oils and greases during storage.
- The service life of seals depends considerably on the type of elastomer. Under optimum conditions, seals made of NBR and HNBR can be stored for up to 6 years; those made of FKM for up to 10 years.
- Previously pre-assembled seals must be checked for damage or contamination before installation.

Preventing faults and correcting malfunctions

All VOSS Fluid products are designed for the specified purpose under the aspects of reliable process performance as well as ease of assembly and user-friendliness.

In order to guarantee this in the later application, careful system selection of the hydraulic connection systems as well as professional assembly are of utmost importance.

More than 85% of all failures are caused by faulty assembly, which can result in an impairment of the sealing function or even the complete failure of a connection point.

Faulty hydraulic lines not only lead to immense reworking costs and loss of image, but can also have serious consequences such as accident or fire hazards as well as environmental pollution!

Please be sure to comply with all the information given in this catalog as well as the assembly and operating instructions for VOSS connecting systems, tools and pre-assembly devices!

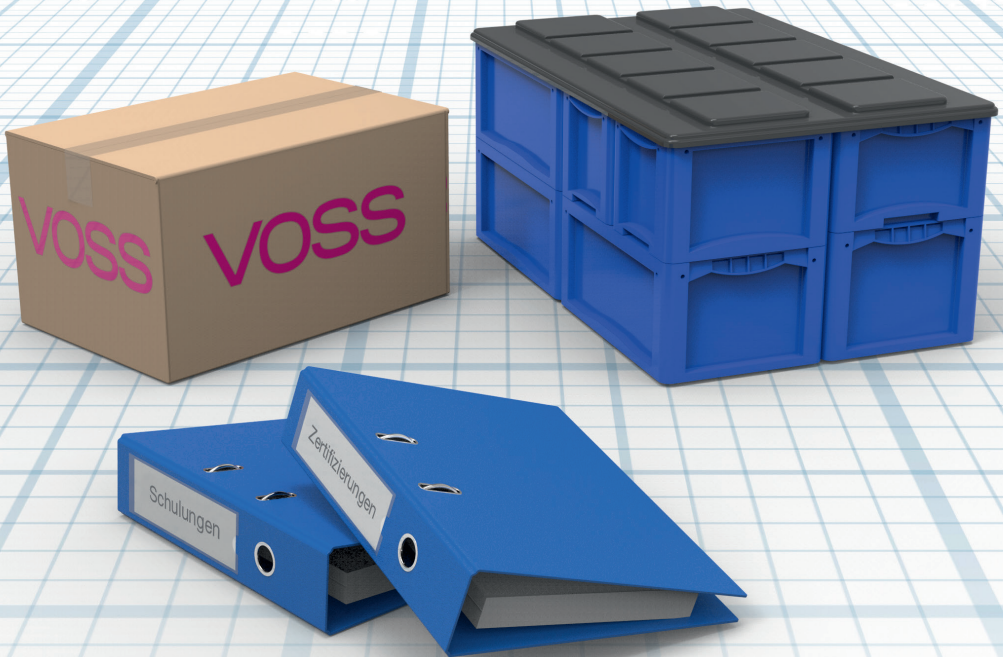
In addition, we recommend regular user training and assembly audits by our specialist personnel!



Services

Save process costs - reduce throughput times

Increase process reliability through individual logistics solutions



Content Type/Page

Value Added Solutions P.197

Values added by VOSS Fluid P.198

Assembly training and audits P.199

Reduce costs through C-parts
management P.200

Certifications and approvals P.201



Value Added Solutions



Excellence

Corrosion protection specialists	Intelligent logistic systems	Solutions for highest efficiency
----------------------------------	------------------------------	----------------------------------

The high added value by VOSS Fluid products and services provides the customer's own products and systems with lasting technical and economic advantages. This added value is defined by the three core competences from the areas of development and production, long-term corrosion protection and availability and services.

New potential for improvement for the customer is constantly being tapped through constant critical scrutiny of the company's own processes, ongoing investments and the deployment of qualified specialist personnel.

Values added by VOSS Fluid

Solutions for highest efficiency

... increase the economic efficiency of using hose fittings in your company!

Thanks to their high product quality and user-friendliness, VOSS Fluid product solutions always guarantee sustained leak protection without a negative influence on the overall system costs.

- High process reliability in assembly
- Short assembly times / High productivity
- No rework
- Permanently leak-proof connections
- Use of the optimal components / systems
- **Quality improvement of your product**
- **Reduce the costs of your production**

Corrosion protection specialists

... protect your machines and systems against corrosion during a lifetime of use!

The high corrosion protection properties of the standard VOSS coat surface coating and the process reliable coating ensure optimum protection of VOSS hose fittings.

- Highest corrosion protection in hydraulic connection technology
- Support during system selection
- Optimum matching of VOSS components with regard to assembly capability
- Continuous development of the surface in terms of corrosion protection and mountability
- **Optimize your corrosion protection measures**
- **Increase your customer satisfaction**

Intelligent logistic systems

... provide intelligent logistics systems specially tailored to your needs!

The highest regional availability and extensive services optimize the customer's supply chain.

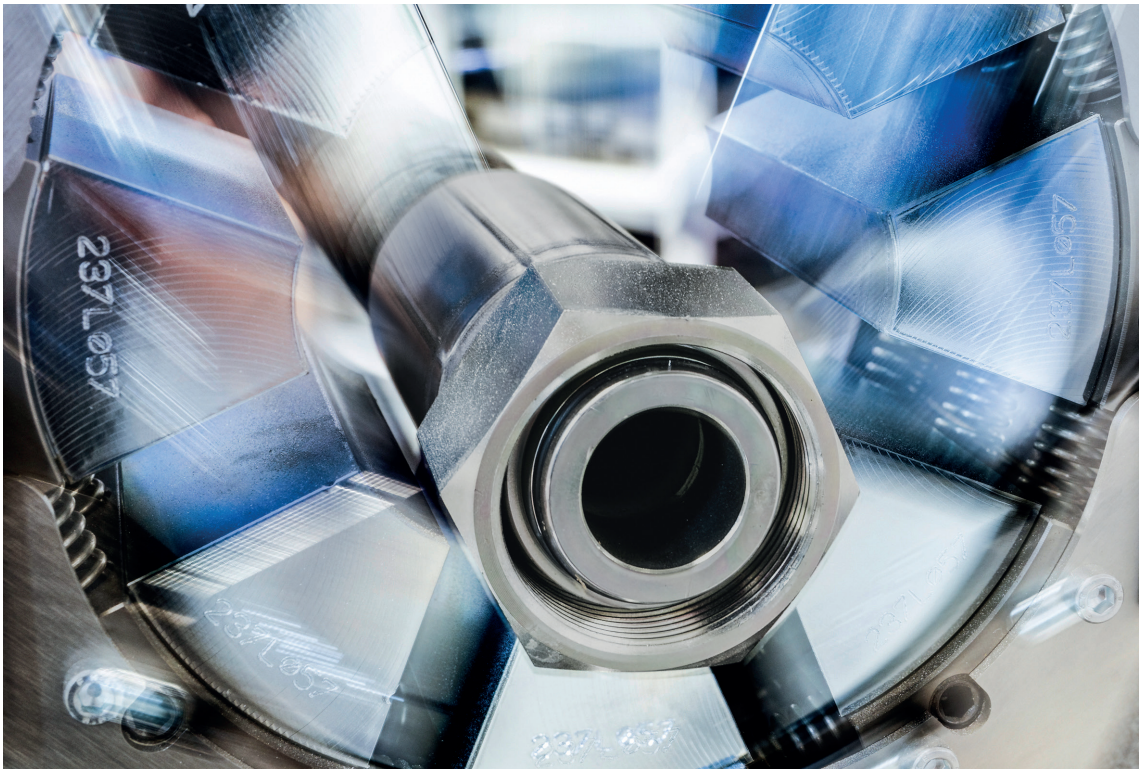
- Delivery service level > 99 %
- Reduction of inventory levels and replenishment times
- No scheduling necessary
- Complete support for KANBAN implementation
- Analysis and documentation of consumption
- Web-KANBAN as online monitoring of your entire threaded connection logistics
- **Simplification/automation of your supply chain**
- **Reduce your materials management costs**

Reduction of your costs in materials management

'VOSS-quality' assembly training and audits

The biggest enemy of the hydraulic system is leakage. There are many possible sources of error, but usually the human being is the key. Only highly qualified employees can detect and avoid potential errors at an early stage. VOSS offers regular training courses for this purpose. At our premises in Wipperfürth or at our customers' premises worldwide. Within the scope of an assembly audit, we look over your employees' shoulders, analyze processes, check assembly stations and equipment and ultimately work out a tailor-made training course that sustainably increases productivity. Fewer errors, faster results, lower costs.

- Assembly training for employee qualification in theory and practice
- Assembly audits for process reliability: inspection of all assembly processes including on-site inspection of pre-assembly devices and tools



Reduce costs through C-parts management

Savings potential

Only a fraction of the cost of hydraulic connection components is accounted for by the actual product.

The proportion of logistics costs is disproportionately high, as these components are usually articles from the C-parts range. However, the lack of such components causes the same disruptions in assembly as the lack of A-parts.

C-Parts Management

"VOSS Fluid" knows the specific needs of the customers and has corresponding logistics systems and logistics solutions which lead to significant savings in process costs, reduction of throughput times and high process reliability. The key to the solution here is individuality.

A logistics solution based on the application is developed and practiced in cooperation with the customer. The following are examples of the rationalization of logistics through C-parts management from "VOSS Fluid".

- Card kanban
- 2-bin kanban
- Web-KANBAN
- Kit service
- Immediate service
- EDI

Further information on request.

Total costs "Hydraulic connection"		
Product	Price	15 – 25 %
Logistics	Identify needs	
	Procurement administration	
	Goods receipt	
	Packaging and disposal	
	Quality and inspection costs	
	Inventory management	
	Inventory costs	
	Transport	
	Assembly supply	
	Downtime costs	75 – 85 %
Total		100%

Certification and approvals

VOSS Fluid is certified according to ISO 9001 and ISO 14001 by TÜV Rheinland. The VOSS hose fittings are approved by major inspection agencies.

- DNV · GL
- Lloyds Register of Shipping
- American Bureau of Shipping

Other approvals on request.

Fire resistance test according to ISO 15540

In order to determine the fire resistance duration of the hose assembly systems, they are exposed to fire in the form of a propane gas flame under standardized conditions during the test. At the same time, cooling water flows through the test specimens from the inside. After the flame treatment, the assemblies are then subjected to a final pressure test. The test pressure corresponds to 1.5 times the nominal pressure. The testbench used for the fire resistance test is also subject to specific criteria. The main components of the test device are the combustion chamber and the associated pressure test equipment. A precise monitoring system on the testbench also records all key measurable parameters during the ongoing testing process.

Standard parameters of the fire resistance test

- Test time: 30 minutes
- Flame temperature: 800° C
- Cooling water temperature: 80
- Cooling water pressure: 5 bar
- Test pressure: 1.5 x nominal pressure



Designation directory

Designation	P.
HF/24/60-SWE.....	56
HF/24/60-SWE45.....	55
HF/24/60-SWS.....	54
HF/24-S...	40
HF/24-S.....	41
HF/24-S.....IL	120
HF/24-SWOE.....	52
HF/24-SWOE.....IL	124
HF/24-SWOE45.....	46, 47, 51
HF/24-SWOE45.....IL	123
HF/24-SWOS.....	44, 50
HF/24-SWOS.....IL	122
HF/37-S...	62
HF/37-S.....IL	128
HF/37-SWE.....	78
HF/37-SWE.....IL	138
HF/37-SWE45.....	77
HF/37-SWE45.....IL	137
HF/37-SWS.....	76
HF/37-SWS.....IL	136
HF/37-SWS...WS...	79
HF/60-S...	60
HF/60-S.....IL	126
HF/60-SDS...	59
HF/60-SWE.....	70
HF/60-SWE45.....	69
HF/60-SWOE.....	74
HF/60-SWOE.....IL	134
HF/60-SWOE45.....	73
HF/60-SWOE45.....IL	133
HF/60-SWOS.....	72
HF/60-SWOS.....IL	132
HF/60-SWS.....	68
HF/90-S.....	85
HF/90-SWE.....	84
HF/90-SWE.....IL	142
HF/90-SWE45.....	83
HF/90-SWE45.....IL	141
HF/90-SWS.....	82
HF/90-SWS.....IL	140
HF/F-CE...6S...IL	154
HF/F-CE45...6S...	97, 98
HF/F-CE45...6S...IL	153
HF/F-CS...6S...	96
HF/F-CS...6S...IL	152
HF/F-E...3S...	90
HF/F-E...3S...IL	146
HF/F-E...6S...	94
HF/F-E...6S...IL	150
HF/F-E45...3S...	89
HF/F-E45...3S...IL	145
HF/F-E45...6S...	93
HF/F-E45...6S...IL	149
HF/F-S...3S...	88
HF/F-S...3S...IL	144
HF/F-S...6S...	92
HF/F-S...6S...IL	148
HF/GP-BFE.....	100, 101



Designation	P.
HF/GP-SDS...	58, 66
HF/GP-SDS...T...JL	130
HF/S-SWE.....	105, 109
HF/S-SWS.....	104, 108
HF-FER...DBS-T	116
HF-FER...DBS-UV	117
HF-FER...JK	38
HF-FER...JPQ	36
HF-FER...KLM	37
HF-FER...OS...1/2	31
HF-FER...OS...MORS	32, 33
SC/HF-TGHCC...	158
TD-TIB	159

Order-No. directory

Order-No. Larga	Order-No. VOSS	P.	Order-No. Larga	Order-No. VOSS	P.
S3000150000005	7000220300	37	S30120210008	7000318400	59
S3000150000006	7000220400	37	S30120210010	7000318500	59
S3000150000008	7000220500	37	S30120213010	7000318600	59
S3000150000010	7000220600	37	S30120213013A	7000318700	59
S3000150000013	7000220700	37	S30120219016A	7000318800	59
S3000150000016	7002109400	37	S30120219019A	7000318900	59
S3000150000019	7002109700	37	S30120225019A	7000319000	59
S3000150000025	7002110000	37	S30120225025A	7000319100	59
S3000220000005	7000029801	31	S30120232025A	7000319200	59
S3000220000006	7000029901	31	S30120232032A	7000319300	59
S3000220000008	7000030001	31	S30120238038A	7000319400	59
S3000220000010	7000030101	31	S30120250050A	7000319500	59
S3000220000013	7000030201	31	S30120504005	7000320100	66
S3000220000016	7000030301	31	S30120504006A	7000320200	66
S3000220000019	7000030401	31	S30120506005	7002119200	66
S3000220000025	7000030501	31	S30120506006	7000320300	66
S3000220000032	7000219201	31	S30120506010A	7000320400	66
S3000220000038	7000219301	31	S30120510006A	7000320500	66
S3000220000050	7000219401	31	S30120510008	7000320600	66
S3000245000005	7000028700	36	S30120510010	7000320700	66
S3000245000006	7000028800	36	S30120510013A	7000320800	66
S3000245000008	7000028900	36	S30120513010	7000320900	66
S3000245000010	7000029000	36	S30120513013A	7000321000	66
S3000245000013	7000029100	36	S30120513016A	7000321100	66
S3000245000016	7000029200	36	S30120519013A	7000321200	66
S3000245000019	7000029300	36	S30120519016	7002120400	66
S3000245000025	7000029400	36	S30120519019A	7000321300	66
S3000245000032	7000029500	36	S30120519025	7002120700	66
S3000245000038	7000029600	36	S30120525019A	7000321400	66
S3000245000050	7000029700	36	S30120525025A	7000321500	66
S3000255000006	7004061800	38	S30120532025A	7000321600	66
S3000255000008	7004062300	38	S30120532032A	7000321700	66
S3000255000010	7004062700	38	S30120538038A	7000321800	66
S3000255000013	7004063400	38	S30120550050A	7000321900	66
S3000255000016	7004063700	38	S30130104006A	7000311900	58
S3000255000019	7004063100	38	S30130106006	7000312000	58
S3000255000025	7004062400	38	S30130106008	7002121700	58
S3000255000032	7006650500	38	S30130106010	7002121900	58
S3000340000005	7000219501	32	S30130110006A	7000312100	58
S3000340000006	7000219601	32	S30130110008	7000312200	58
S3000340000008	7000219701	32	S30130110010	7000312300	58
S3000340000010	7000219801	32	S30130110013A	7000312400	58
S3000340000013	7000219901	32	S30130113006	7002122500	58
S3000340000032	7000032301	32	S30130113010	7000312500	58
S3000340000038	7000032401	32	S30130113013A	7000312600	58
S3000340000050	7000032501	32	S30130116013A	7000312700	58
S3000345000016	7000220001	33	S30130116016A	7000312800	58
S3000345000019	7000220101	33	S30130119013A	7000312900	58
S3000345000025	7000220201	33	S30130119016A	7000313000	58
S30110106006	7000319600	60	S30130119019A	7000313100	58
S30110110010	7000319700	60	S30130125019A	7000313200	58
S30110113010	7000319800	60	S30130125025A	7000313300	58
S30110113013A	7000319900	60	S30130132025A	7000313400	58
S30110119019A	7000320000	60	S30130132032A	7000313500	58
S30120204005	7000318000	59	S30130138038A	7000313600	58
S30120204006A	7000318100	59	S30130150050A	7000313700	58
S30120206006	7000318200	59	S30148906005	7000049000	40
S30120210006A	7000318300	59	S30148906006A	7000049200	40



Order-No. Larga	Order-No. VOSS	P.	Order-No. Larga	Order-No. VOSS	P.
S30148908006	7000049300	40	S30150632032A	7000315600	62
S30148910006A	7000049400	40	S30150638032A	7000315700	62
S30148910008	7000049600	40	S30150638038A	7000315800	62
S30148910010	7000049800	40	S30150650038	7002131600	62
S30148912006A	7000049500	40	S30150650050A	7000315900	63
S30148912008A	7000049700	40	S30160608006	7000316000	85
S30148912010	7000049900	40	S30160609006	7000316100	85
S30148912013	7002124900	40	S30160609008	7000316200	85
S30148915010A	7000050000	40	S30160609010	7000316300	85
S30148915013A	7000050100	40	S30160612010	7002131900	85
S30148915016	7002125300	40	S30160612013	7000316400	85
S30148918010	7002125500	40	S30160616013	7002132000	85
S30148918013A	7000050200	40	S30160616016	7000316500	85
S30148918016A	7000050300	40	S30160622013	7002132100	85
S30148918019	7002125900	40	S30160622016	7002132200	85
S30148922016	7002126100	40	S30160622019	7000316600	85
S30148922019A	7000050600	40	S30160628019	7002132300	85
S30148928025A	7000050700	40	S30160628025	7000316700	85
S30148935032A	7000050800	40	S30160635032	7000316800	85
S30148942038A	7000050900	40	S30160642038	7000316900	85
S30149906006	7002126700	41	S30216019019A	7000307700	96
S30149908006A	7000051300	41	S30216025019A	7000307800	96
S30149908008	7002127000	41	S30216025025A	7000307900	96
S30149910006	7000051400	41	S30216032025A	7000308000	96
S30149910008A	7000051600	41	S30216032032A	7000308100	96
S30149910010A	7000051800	41	S30216038032A	7000308200	96
S30149912006	7002127500	41	S30216038038A	7000308300	96
S30149912008	7000051700	41	S30226019019A	7000308400	98
S30149912010	7000051900	41	S30226025019A	7000308500	98
S30149914010	7000052000	41	S30226025025A	7000308600	98
S30149916013A	7000052200	41	S30226032025A	7000308700	98
S30149920016A	7000052300	41	S30226032032A	7000308800	98
S30149920019A	7000052400	41	S30226038032A	7000308900	98
S30149925019A	7000052500	41	S30226038038A	7000309000	98
S30149925025A	7000052600	41	S30236019019A	7000309100	97
S30149930025A	7000052700	41	S30236025019A	7000309200	97
S30149938032A	7000052900	41	S30236025025A	7000309300	97
S30150604006	7000313800	62	S30236032025A	7000309400	97
S30150606006	7000313900	62	S30236032032A	7000309500	97
S30150606008A	7000314000	62	S30236038032A	7000309600	97
S30150606010	7002129000	62	S30236038038A	7000309700	97
S30150608006A	7000314100	62	S30410104005	7000276800	68
S30150608008	7000314200	62	S30410104006A	7000276900	68
S30150608010	7000314300	62	S30410106005H	7000277000	68
S30150610010	7000314400	62	S30410106006H	7000277100	68
S30150610013A	7000314500	62	S30410106008H	7000277200	68
S30150610016	7002129700	62	S30410106010	7002132400	68
S30150613010	7000314600	62	S30410110006H	7000277300	68
S30150613013A	7000314700	62	S30410110008Z	7000277400	68
S30150613016A	7000314800	62	S30410110010H	7000277500	68
S30150613019	7002130200	62	S30410110013H	7000277600	68
S30150619013A	7000314900	62	S30410113006	7002132500	68
S30150619016A	7000315000	62	S30410113010H	7000277700	68
S30150619019A	7000315100	62	S30410113013H	7000277800	68
S30150619025A	7000315200	62	S30410113016	7004132400	68
S30150622019A	7002130800	62	S30410116013Z	7000277900	68
S30150625019A	7000315300	62	S30410116016Z	7000278000	68
S30150625025A	7000315400	62	S30410119013Z	7000278100	68
S30150632025A	7000315500	62	S30410119016Z	7000278200	68

Order-No. Larga	Order-No. VOSS	P.	Order-No. Larga	Order-No. VOSS	P.
S30410119019A	7000278300	68	S30411138032A	7000282400	72
S30410125019A	7000278400	68	S30411138038A	7000282500	72
S30410125025A	7000278500	68	S30411150038A	7000282600	72
S30410806005	7000036400	44	S30411150050A	7000282700	72
S30410806006A	7000036600	44	S30418306006A	7000295200	54
S30410808006A	7000036700	44	S30418308006A	7000295300	54
S30410808008A	7002212200	44	S30418308008A	7000295400	54
S30410810006A	7000036800	44	S30418308010A	7000295500	54
S30410810008A	7000037000	44	S30418310006A	7004401600	54
S30410810010A	7000037200	44	S30418310008A	7000295600	54
S30410812006A	7000036900	44	S30418310010A	7000295700	54
S30410812008A	7000037100	44	S30418313010A	7000295800	54
S30410812010A	7000037300	44	S30418313013A	7000295900	54
S30410812013A	7002211600	44	S30418316016A	7000296000	54
S30410815010A	7000037400	44	S30430604005H	7000285100	76
S30410815013A	7000037500	44	S30430604006H	7000285200	76
S30410815016A	7004397700	44	S30430606006H	7000285300	76
S30410818013A	7000037600	44	S30430606008H	7000285400	76
S30410818016A	7000037700	44	S30430608006S	7000285500	76
S30410818019A	7002211700	44	S30430608008	7000285600	76
S30410822016A	7002211800	44	S30430608010	7000285700	76
S30410822019A	7000038000	44	S30430610010	7000285800	76
S30410822025A	7004397800	44	S30430610013A	7000285900	76
S30410828019A	7002211900	44	S30430610016	7002212900	76
S30410828025A	7000038100	44	S30430610019	7002213000	76
S30410835025A	7002212000	44	S30430613010	7000286000	76
S30410835032A	7000038200	44	S30430613013A	7000286100	76
S30410835038A	7002212100	44	S30430613016A	7000286200	76
S30410842032A	7004397600	45	S30430613019	7002213100	76
S30410842038A	7000038300	45	S30430619013A	7000286300	76
S30410906006A	7002212800	50	S30430619016A	7000286400	76
S30410908005	7000038500	50	S30430619019A	7000286500	76
S30410908006A	7000038700	50	S30430619025A	7000286600	76
S30410910006A	7000038800	50	S30430622019A	7002251300	76
S30410910008A	7002212300	50	S30430625019A	7000286700	76
S30410910010A	7002212400	50	S30430625025A	7000286800	76
S30410912006A	7002212500	50	S30430632025A	7000286900	76
S30410912008A	7000039100	50	S30430632032A	7000287000	76
S30410912010A	7000039300	50	S30430638032A	7000287100	76
S30410912013A	7002212600	50	S30430638038A	7000287200	76
S30410914010A	7000039400	50	S30430650050A	7002251400	76
S30410914013A	7002212700	50	S30440608006	7000291300	82
S30410916010A	7004397900	50	S30440609006	7000291400	82
S30410916013A	7000039600	50	S30440609008	7000291500	82
S30410916016A	7004398000	50	S30440609010	7000291600	82
S30410920016A	7000039700	50	S30440612010	7000291700	82
S30410920019A	7000039800	50	S30440612013	7000291800	82
S30410925019A	7000040000	50	S30440616013	7000291900	82
S30410925025A	7000040100	50	S30440616016	7000292000	82
S30410930025A	7000040200	50	S30440622013	7000292100	82
S30410938032A	7000040400	50	S30440622016	7002251500	82
S30411106006A	7000281600	72	S30440622019	7000292200	82
S30411110010H	7000281700	72	S30440628019	7000292300	82
S30411113013A	7000281800	72	S30440628025	7000292400	82
S30411116016A	7000281900	72	S30440635032	7000292500	82
S30411119019A	7000282000	72	S30440642038	7000292600	82
S30411125025A	7000282100	72	S30520604005H	7000287300	78
S30411132025A	7000282200	72	S30520604006H	7000287400	78
S30411132032A	7000282300	72	S30520606006H	7000287500	78



Order-No. Larga	Order-No. VOSS	P.	Order-No. Larga	Order-No. VOSS	P.
S30520608006A	7000287600	78	S30530835038A	7004395700	47
S30520608008A	7000287700	78	S30530842038A	7000046700	47
S30520608010A	7000287800	78	S30530906006A	7002211500	52
S30520610010A	7000287900	78	S30530908005	7000046900	52
S30520610013A	7000288000	78	S30530908006A	7000047100	52
S30520613010A	7000288100	78	S30530910006A	7000047200	52
S30520613013A	7000288200	78	S30530910008A	7002211200	52
S30520613016A	7000288300	78	S30530910010A	7002211300	52
S30520619013A	7000288400	78	S30530912006A	7002211400	52
S30520619016A	7000288500	78	S30530912008A	7000047500	52
S30520619019A	7000288600	78	S30530912010A	7000047700	52
S30520622019A	7002251600	78	S30530914010A	7000047800	52
S30520625019A	7000288700	78	S30530916013A	7000048000	52
S30520625025A	7000288800	78	S30530920013A	7004398200	52
S30520632025A	7000288900	78	S30530920016A	7000048100	52
S30520632032A	7000289000	78	S30530920019A	7000048200	52
S30520638032A	7000289100	78	S30530925019A	7000048400	52
S30520638038A	7000289200	78	S30530925025A	7000048500	52
S30520650050A	7002251700	78	S30530930025A	7000048600	52
S30530104005	7000278600	70	S30530938032A	7000048800	52
S30530104006A	7000278700	70	S30531106006A	7000282800	74
S30530106006H	7000278800	70	S30531110010A	7000282900	74
S30530106008	7002132600	70	S30531113013H	7000283000	74
S30530110006Z	7000278900	70	S30531116016A	7000283100	74
S30530110008Z	7000279000	70	S30531119019A	7000283200	74
S30530110010H	7000279100	70	S30531125025A	7000283300	74
S30530110013	7002132700	70	S30531132025A	7000283400	74
S30530113010H	7000279200	70	S30531132032A	7000283500	74
S30530113013H	7000279300	70	S30531138032A	7000283600	74
S30530116013Z	7000279400	70	S30531138038A	7000283700	74
S30530116016Z	7000279500	70	S30531150050A	7000283800	74
S30530119013Z	7000279600	70	S30538306006A	7000296100	56
S30530119016Z	7000279700	70	S30538308006A	7000296200	56
S30530119019A	7000279800	70	S30538308008A	7000296300	56
S30530125019A	7000279900	70	S30538308010A	7000296400	56
S30530125025A	7000280000	70	S30538310008A	7000296500	56
S30530806005	7000040600	47	S30538310010A	7000296600	56
S30530806006A	7000045000	47	S30538313010A	7000296700	56
S30530808006A	7000045100	47	S30538313013A	7000296800	56
S30530808008A	7002211100	47	S30538316016A	7000296900	56
S30530810006A	7000220800	47	S30540608006	7000292700	84
S30530810008A	7000045400	47	S30540609006	7000292800	84
S30530810010A	7000045600	47	S30540609008	7000292900	84
S30530812006A	7002210600	47	S30540609010	7000293000	84
S30530812008A	7000045500	47	S30540612010	7000293100	84
S30530812010A	7000045700	47	S30540612013	7000293200	84
S30530812013A	7004392600	47	S30540616013	7000293300	84
S30530815010A	7002210700	47	S30540616016	7000293400	84
S30530815013A	7000045900	47	S30540622013	7000293500	84
S30530815016A	7004704300	47	S30540622016	7002251800	84
S30530818013A	7002210800	47	S30540622019	7000293600	84
S30530818016A	7000046100	47	S30540628019	7000293700	84
S30530818019A	7004395100	47	S30540628025	7000293800	84
S30530822016A	7002210900	47	S30540635032	7000293900	84
S30530822019A	7000046400	47	S30540642038	7000294000	84
S30530822025A	7004393000	47	S30618906005	7000297900	104
S30530828019A	7002211000	47	S30618906006	7000298000	104
S30530828025A	7000046500	47	S30618908006	7000298100	104
S30530835032A	7000046600	47	S30618910008	7000298200	104

Order-No. Larga	Order-No. VOSS	P.	Order-No. Larga	Order-No. VOSS	P.
S30618910010	7000298300	104	S30710304006A	7000323100	101
S30618912010	7000298400	104	S30710306006	7000323200	101
S30618915010A	7000298500	104	S30710306008A	7000323300	101
S30618915013A	7000298600	104	S30710306010A	7000323400	101
S30618918013A	7000298700	104	S30710308008	7000323500	101
S30618918016A	7000298800	104	S30710308010	7000323600	101
S30618922016A	7000298900	104	S30710310010	7000323700	101
S30618922019A	7000299000	104	S30710310013A	7000323800	101
S30618928025A	7000299100	104	S30710313013A	7000323900	101
S30618935032A	7000299200	104	S30710313016A	7000324000	101
S30618942038A	7000299300	104	S30710316016A	7000324100	101
S30619908005	7000300700	108	S30710316019A	7000324200	101
S30619910006	7000300800	108	S30710319019A	7000324300	101
S30619912006A	7000300900	108	S30820604006A	7000289300	77
S30619912008	7000301000	108	S30820606006H	7000289400	77
S30619914010	7000301100	108	S30820608006A	7000289500	77
S30619914013A	7000301200	108	S30820608008A	7000289600	77
S30619916013A	7000301300	108	S30820608010A	7000289700	77
S30619920016A	7000301400	108	S30820610010A	7000289800	77
S30619920019A	7000301500	108	S30820610013A	7000289900	77
S30619925019A	7000301600	108	S30820613010A	7000290000	77
S30619925025A	7000301700	108	S30820613013A	7000290100	77
S30619930025A	7000301800	108	S30820613016A	7000290200	77
S30619938032A	7000301900	108	S30820619013A	7000290300	77
S30628906005	7000299400	105	S30820619016A	7000290400	77
S30628906006A	7000299500	105	S30820619019A	7000290500	77
S30628908006A	7000299600	105	S30820622019A	7002251900	77
S30628910008A	7000299700	105	S30820625019A	7000290600	77
S30628910010A	7000299800	105	S30820625025A	7000290700	77
S30628912010A	7000299900	105	S30820632025A	7000290800	77
S30628915013A	7000300000	105	S30820632032A	7000290900	77
S30628918013A	7000300100	105	S30820638032A	7000291000	77
S30628918016A	7000300200	105	S30820638038A	7000291100	77
S30628922016A	7000300300	105	S30820650050A	7000291200	77
S30628922019A	7000300400	105	S30830104005	7000280100	69
S30628928025A	7000300500	105	S30830104006A	7000280200	69
S30628935032A	7000300600	105	S30830106006H	7000280300	69
S30629910006A	7000302100	109	S30830106008	7002132900	69
S30629912006A	7000302200	109	S30830110006Z	7000280400	69
S30629912008A	7000302300	109	S30830110008A	7000280500	69
S30629914010A	7000302400	109	S30830110010H	7000280600	69
S30629914013A	7000302500	109	S30830113010A	7000280700	69
S30629916013A	7000302600	109	S30830113013H	7000280800	69
S30629920016A	7000302700	109	S30830116013Z	7000280900	69
S30629920019A	7000302800	109	S30830116016Z	7000281000	69
S30629925019A	7000302900	109	S30830119013Z	7000281100	69
S30629925025A	7000303000	109	S30830119016Z	7000281200	69
S30629930025A	7000303100	109	S30830119019A	7000281300	69
S30710106006	7000322000	100	S30830125019A	7000281400	69
S30710110008	7000322100	100	S30830125025A	7000281500	69
S30710110010	7000322200	100	S30830806005	7000044800	46
S30710113010	7000322300	100	S30830806006A	7002210100	46
S30710113013A	7000322400	100	S30830808006A	7000040900	46
S30710116013A	7000322500	100	S30830808008A	7002210200	46
S30710116016A	7000322600	100	S30830810006A	7000041000	46
S30710119016A	7000322700	100	S30830810008A	7000041200	46
S30710119019A	7000322800	100	S30830810010A	7000041400	46
S30710125019A	7000322900	100	S30830812006A	7002209600	46
S30710125025A	7000323000	100	S30830812008A	7004122100	46



Order-No. Larga	Order-No. VOSS	P.	Order-No. Larga	Order-No. VOSS	P.
S30830812010A	7000041500	46	S30840622019	7000294800	83
S30830815010A	7002209700	46	S30840628025	7000294900	83
S30830815013A	7000041700	46	S30840635032	7000295000	83
S30830815016A	7004396400	46	S30840642038	7000295100	83
S30830818013A	7002209800	46	S30913013013A	7000058700	88
S30830818016A	7000041900	46	S30913019013A	7000058800	88
S30830822016A	7002209900	46	S30913019016A	7000059000	88
S30830822019A	7000042200	46	S30913019019A	7000059200	88
S30830828019A	7002210000	46	S30913025019A	7000059300	88
S30830828025A	7000042300	46	S30913025025A	7000059500	88
S30830828032A	7004397000	46	S30913032025A	7000059600	88
S30830835032A	7000042400	46	S30913032032A	7000059800	88
S30830842038A	7000042500	46	S30913038032A	7000059900	88
S30830906006A	7002210500	51	S30913038038A	7000060000	88
S30830908005	7000042700	51	S30913050038A	7000060100	88
S30830908006A	7000042900	51	S30913050050A	7000060200	88
S30830910006A	7000043000	51	S30913063050A	7000060300	88
S30830910008A	7002210300	51	S30916013013A	7000069700	92
S30830910010A	7002210400	51	S30916019013A	7000069800	92
S30830912008A	7000043300	51	S30916019016A	7000070000	92
S30830912010A	7000043500	51	S30916019019A	7000070200	92
S30830914010A	7000043600	51	S30916025019A	7000070300	92
S30830916010A	7004398100	51	S30916025025A	7000070500	92
S30830916013A	7000043800	51	S30916032025A	7000070600	92
S30830920016A	7000043900	51	S30916032032A	7000070800	92
S30830920019A	7000044000	51	S30916038032A	7000070900	92
S30830925019A	7000044200	51	S30916038038A	7000071000	92
S30830925025A	7000044300	51	S30916050038A	7000071100	92
S30830930025A	7000044400	51	S30916050050A	7000071200	92
S30830938032A	7000044600	51	S30923013013A	7000062100	90
S30831106006H	7000283900	73	S30923019013A	7000062200	90
S30831110010A	7000284000	73	S30923019016A	7000062400	90
S30831113013A	7000284100	73	S30923019019A	7000062600	90
S30831116016A	7000284200	73	S30923025019A	7000062700	90
S30831119019A	7000284300	73	S30923025025A	7000062900	90
S30831125025A	7000284400	73	S30923032025A	7000063000	90
S30831132025A	7000284500	73	S30923032032A	7000063200	90
S30831132032A	7000284600	73	S30923038032A	7000063300	90
S30831138032A	7000284700	73	S30923038038A	7000063400	90
S30831138038A	7000284800	73	S30923050038A	7000063500	90
S30831150038A	7000284900	73	S30923050050A	7000063600	90
S30831150050A	7000285000	73	S30926013013A	7000072900	94
S30838306006A	7000297000	55	S30926019013A	7000073000	94
S30838308006A	7000297100	55	S30926019016A	7000073200	94
S30838308008A	7000297200	55	S30926019019A	7000073400	94
S30838308010A	7000297300	55	S30926025019A	7000073500	94
S30838310008A	7000297400	55	S30926025025A	7000073700	94
S30838310010A	7000297500	55	S30926032025A	7000073800	94
S30838313010A	7000297600	55	S30926032032A	7000074000	94
S30838313013A	7000297700	55	S30926038032A	7000074100	94
S30838316016A	7000297800	55	S30926038038A	7000074200	94
S30840608006	7000294100	83	S30926050038A	7000074300	94
S30840609006	7000294200	83	S30926050050A	7000074400	94
S30840609010	7000294300	83	S30933013013A	7000060400	89
S30840612010	7000294400	83	S30933019013A	7000060500	89
S30840612013	7000294500	83	S30933019016A	7000060700	89
S30840616013	7000294600	83	S30933019019A	7000060900	89
S30840616016	7000294700	83	S30933025019A	7000061000	89
S30840622016	7002252000	83	S30933025025A	7000061300	89

Order-No. Larga	Order-No. VOSS	P.	Order-No. Larga	Order-No. VOSS	P.
S30933032025A	7000061200	89	S80226038032	7000311000	154
S30933032032A	7000061500	89	S80226038038	7000311100	154
S30933038032A	7000061600	89	S80236019019	7000311200	153
S30933038038A	7000061700	89	S80236025019	7000311300	153
S30933050038A	7000061800	89	S80236025025	7000311400	153
S30933050050A	7000061900	89	S80236032025	7000311500	153
S30936013013A	7000071300	93	S80236032032	7000311600	153
S30936019013A	7000071400	93	S80236038032	7000311700	153
S30936019016A	7000071600	93	S80236038038	7000311800	153
S30936019019A	7000071800	93	S80410119019	7000303200	132
S30936025019A	7000071900	93	S80410125025	7000303300	132
S30936025025A	7000072100	93	S80410132032	7000303400	132
S30936032025A	7000072200	93	S80410138038	7000303500	132
S30936032032A	7000072400	93	S80410150050	7000303600	132
S30936038032A	7000072500	93	S80417920016	7004400700	122
S30936038038A	7000072600	93	S80417920019	7004643800	122
S30936050038A	7000072700	93	S80417925019	7004649200	122
S30936050050A	7000072800	93	S80417925025	7004649500	122
S8000350000016	7004608700	116	S80417930025	7004649800	122
S8000350000019	7000035600	116	S80417930032	7005716600	122
S8000350000025	7000035700	116	S80417938032	7004650100	122
S8000350000032	7000035800	116	S80417938038	7004650400	122
S8000350000038	7000035900	116	S80430619019	7000304700	136
S8000350000050	7000036000	116	S80430625025	7000304800	136
S8000450000032	7000036100	117	S80430632032	7000304900	136
S8000450000038N	7000036200	117	S80430638038	7000305000	136
S8000450000050	7000036300	117	S80430650050	7000305100	136
S80120519019	7000324400	130	S80440622019	7000306200	140
S80120525025	7000324500	130	S80440628019	7000306300	140
S80120532032	7000324600	130	S80440628025	7000306400	140
S80120538038	7000324700	130	S80440635032	7000306500	140
S80120550050	7000324800	130	S80440642038	7000306600	140
S80130119019	7000317000	126	S80520619019	7000305200	138
S80130125025	7000317100	126	S80520625025	7000305300	138
S80130132032	7000317200	126	S80520632032	7000305400	138
S80130138038	7000317300	126	S80520638038	7000305500	138
S80130150050	7000317400	126	S80520650050	7000305600	138
S80149920016	7004401700	120	S80530119019	7000303700	134
S80149920019	7000055200	120	S80530125025	7000303800	134
S80149925019	7000055300	120	S80530132032	7000303900	134
S80149930025	7000055500	120	S80530138038	7000304000	134
S80149938032	7000055700	120	S80530150050	7000304100	134
S80150619019	7000317500	128	S80537920019	7004659700	124
S80150625025	7000317600	128	S80537925019	7004665500	124
S80150632032	7000317700	128	S80537925025	7004665900	124
S80150638038	7000317800	128	S80537930025	7004666300	124
S80150650050	7000317900	128	S80537938032	7004666700	124
S80216019019	7000309800	152	S80537938038	7004667100	124
S80216025019	7000309900	152	S80540622019	7000306700	142
S80216025025	7000310000	152	S80540628019	7000306800	142
S80216032025	7000310100	152	S80540628025	7000306900	142
S80216032032	7000310200	152	S80540635032	7000307000	142
S80216038032	7000310300	152	S80540642038	7000307100	142
S80216038038	7000310400	152	S80820619019	7000305700	137
S80226019019	7000310500	154	S80820625025	7000305800	137
S80226025019	7000310600	154	S80820632032	7000305900	137
S80226025025	7000310700	154	S80820638038	7000306000	137
S80226032025	7000310800	154	S80820650050	7000306100	137
S80226032032	7000310900	154	S80830119019	7000304200	133



Order-No. Larga	Order-No. VOSS	P.	Order-No. Larga	Order-No. VOSS	P.
S80830125025	7000304300	133	S80923032025	7000099400	146
S80830132032	7000304400	133	S80923032032	7000099500	146
S80830138038	7000304500	133	S80923038032	7000099600	146
S80830150050	7000304600	133	S80923038038	7000099700	146
S80837920019	7004671100	123	S80923050038	7000099800	146
S80837925019	7004672300	123	S80923050050	7000099900	146
S80837925025	7004672700	123	S80926019019	7000101800	150
S80837930025	7004673100	123	S80926019025	7002297300	150
S80837938032	7004673500	123	S80926025019	7000101900	150
S80837938038	7004674200	123	S80926025025	7000102100	150
S80840622019	7000307200	141	S80926025032	7000073900	150
S80840628019	7000307300	141	S80926032025	7000102200	150
S80840628025	7000307400	141	S80926032032	7000102300	150
S80840635032	7000307500	141	S80926032038	7002297400	150
S80840642038	7000307600	141	S80926038032	7000102400	150
S80913019019	7000097000	144	S80926038038	7000102500	150
S80913025019	7000097100	144	S80926050038	7002297500	150
S80913025025	7000097300	144	S80926050050	7000102600	150
S80913032025	7000097400	144	S80933019019	7000098000	145
S80913032032	7000097500	144	S80933025019	7000098100	145
S80913038032	7000097600	144	S80933025025	7000098400	145
S80913038038	7000097700	144	S80933032025	7000098300	145
S80913050038	7000097800	144	S80933032032	7000098500	145
S80913050050	7000097900	144	S80933038032	7000098600	145
S80916019019	7000100000	148	S80933038038	7000098700	145
S80916019025	7000100200	148	S80933050038	7000098800	145
S80916025019	7000100100	148	S80933050050	7000098900	145
S80916025025	7000100300	148	S80936019019	7000100900	149
S80916025032	7002296900	148	S80936019025	7002297600	149
S80916032025	7000100400	148	S80936025019	7000101000	149
S80916032032	7000100500	148	S80936025025	7000101200	149
S80916032038	7002297000	148	S80936025032	7000072300	149
S80916038032	7000100600	148	S80936032025	7000101300	149
S80916038038	7000100700	148	S80936032032	7000101400	149
S80916038050	7002297100	148	S80936032038	7002297700	149
S80916050038	7002297200	148	S80936038032	7000101500	149
S80916050050	7000100800	148	S80936038038	7000101600	149
S80923019019	7000099000	146	S80936050038	7002297800	149
S80923025019	7000099100	146	S80936050050	7000101700	149
S80923025025	7000099300	146			

VOSS

VOSS Fluid GmbH
Post box 15 40
51679 Wipperfürth

Lüdenscheider Straße 52-54
51688 Wipperfürth
Germany

Tel.: +49 2267 63-0
Fax: +49 2267 63-5621
+49 2267 63-5622
+49 2267 63-5623

fluid@voss.net
www.voss-fluid.net